

JAMICON[®]

KAIMEI ELECTRONIC CORP.



COOLING FAN



Reverse Engineering System

Fan Performance Test System

Noise Test System

Cooling

INDEX

BRUSHLESS DC FAN

SUMMARY INFORMATION

Measurement of air volume and static pressure	0-1
Noise level data	0-3

DC FAN TECHNICAL INFORMATION

Part Number System of DC Axial Fan	1-1
Auto restart without output signal	1-2
Auto restart / Alarm signal (Type A)	1-3
Auto restart / Alarm signal (Type B)	1-4
Auto restart / Alarm signal (Type C)	1-5
Auto restart / Alarm signal (Type D)	1-6
Auto restart / Tachometer signal (Type A)	1-7
Auto restart / Tachometer signal (Type B)	1-8
Auto restart / Tachometer signal (Type C)	1-9
Auto restart / Tachometer signal (Type D)	1-10
Tachometer signal without auto-restart	1-11
PWM speed control	1-12
General specifications	1-13

DC AXIAL FAN

25x25x10 mm	KF0210-02	2-1
30x30x10 mm	KF0310-01	2-2
35x35x10 mm	KF0B10-01	2-3
40x40x10 mm	KF0410-01	2-4
40x40x10 mm	KF0410-03、08	2-5
40x40x15 mm	KF0415-11	2-6
40x40x20 mm	KF0420-01、04	2-7
40x40x28 mm	SF0428-11	2-8
40x40x28 mm	KF0428-12	2-9
40x40x28 mm	KF0428-11	2-10
50x50x10 mm	KF0510-01	2-11
50x50x15 mm	JF0515-01	2-12
60x60x10 mm	KF0610-01	2-13
60x60x15 mm	KF0615-01	2-14
60x60x15 mm	KF0615-02	2-15
60x60x15 mm	KF0615-03	2-16
60x60x15 mm	JF0615-00	2-17
60x60x20 mm	KF0620-01	2-18
60x60x20 mm	JF0620-00	2-19
60x60x25 mm	JF0625-00	2-20
60x60x25 mm	JF0625-01	2-21
60x60x25 mm	JF0625-02	2-22
60x60x38 mm	JF0638-11	2-23
70x70x15 mm	KF0715-01	2-24
70x70x25 mm	DF0725-11	2-25
80x80x10 mm	DF0810-11	2-26
80x80x15 mm	JF0815-03	2-27
80x80x20 mm	KF0820-01	2-28
80x80x25 mm	SF0825-11	2-29
80x80x25 mm	KF0825-11	2-30
80x80x25 mm	JF0825-01	2-31
80x80x25 mm	JF0825-02	2-32

80x80x25 mm	JF0825-00	2-33
80x80x38 mm	KF0838-11	2-34
80x80x38 mm	JF0838-11	2-35
92x92x25 mm	KF0925-11	2-36
92x92x25 mm	JF0925-00	2-37
92x92x38 mm	KF0938-11	2-38
120x120x25 mm	JF1225-00	2-39
120x120x25 mm	KF1225-02	2-40
120x120x25 mm	KF1225-01	2-41
120x120x38 mm	JF1238-19	2-42
120x120x38 mm	JF1238-13	2-43
120x120x38 mm	JF1238-14	2-44
140x140x25 mm	JF1425-12	2-45
140x140x25 mm	JF1425-01	2-46
140x140x25 mm	KF1425-11	2-47
200x200x30 mm	DF2030-11	2-48

DC BLOWER FAN

50x50x15 mm	WF5015-11	2-49
75x75x30 mm	WF7530-11	2-50
97x94x33 mm	WF9733-11	2-51

AC FAN TECHNICAL INFORMATION

Part Number System	3-1
General specifications	3-2

AC AXIAL FAN

80x80x25 mm	JA0825-0N	4-1
80x80x25 mm	RA0825-3N	4-2
80x80x38 mm	JA0838-0N	4-3
80x80x38 mm	RA0838-1N	4-4
92x92x25 mm	JA0925-0N	4-5
92x92x25 mm	RA0925-1N	4-6
92x92x38 mm	RA0938-1N	4-7
120x120x25 mm	JA1225-0N	4-8
120x120x25 mm	RA1225-3N	4-9
120x120x38 mm	JA1238-0N	4-10
120x120x38 mm	KA1238-1N	4-11
172x150x51 mm	JA1751-0N	4-12

FAN ACCESSORY

Metal Fan Guard	5-1
Plastic Fan Guard	5-4
Metal Fan Filter	5-5
Plastic Fan Filter 6,8 cm	5-6
Plastic Fan Filter 9,12 cm	5-7
Power Cord	5-8

APPENDIX

Reference List of Measure Unit	6-1
--------------------------------	-----

Measurement of Air Volume and Static Pressure 空气流量和静压测量

Determination of the air performance curves is obtained by using the double chamber method based on AMCA standard. The difference between the pressures before and after the nozzle (differential pressure P_n) is measured to obtain the air flow at the nozzle and the different pressures between those in the two chambers (static pressure P_s). The air flow is calculated from the differential pressure by using equation (A). The auxiliary blower cancels out the aerodynamic resistance.

风量的表现曲线是使用AMCA标准的双风箱测试法，（气压差 P_n ）是风阻前后的气压差，是透过气流经风阻流向两个风箱所形成的气压差测量而得到（静压 P_s ）可以使用公式（A）来计算由气压差所得的气流量，辅助吹风机用以抵消空气动力。

$$Q = 60 AV \dots (A)$$

Where

Q : Air flow rate (m³/min)

A : Nozzle sectional area = $F/4 D^2$ (m²)

V : Average flow velocity from nozzle

$$= \sqrt{2 \frac{P_n}{r}} \text{ (m/s)}$$

流量率公式

流量率

风阻截面积

流经风阻的平均流速

r : Specific gravity (kg/m³) of air (r=1.2kg/m³ at 20°C, 1 atm)

g : Gravitational acceleration = 9.8m/S²

P_n : Differential Pressure (mm H₂O)

P_s : Static pressure (mm H₂O)

空气重力

重力加速度

气压差

静压

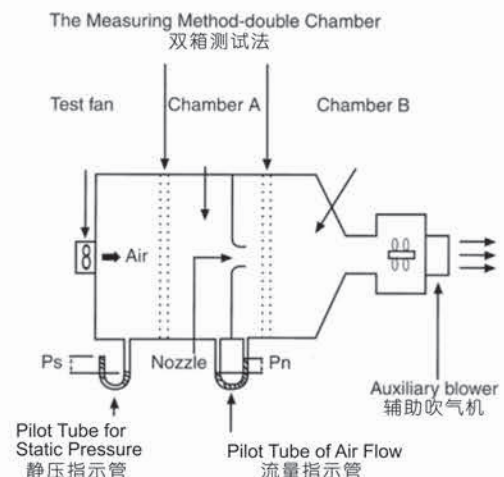
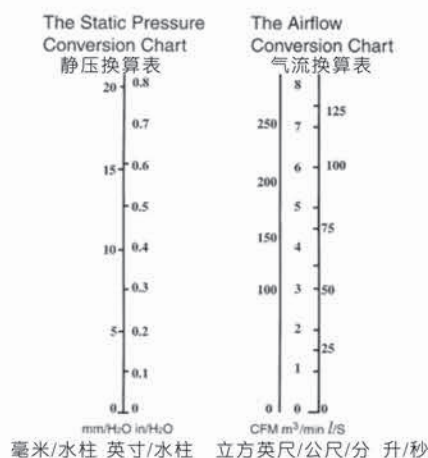
Summary Information

Maximum air flow: When opening the nozzle and absorbing the air using the auxiliary blower to make the static pressure zero ($P_s=0$), the differential pressure (P_n) between chamber A and chamber B will be at it's maximum. The air flow obtained by applying the differential pressure (P_n) to the above equation can be called the maximum air flow.

最大风量：当打开风阻吸收从辅助吹风机吹来的风让静压为0 ($P_s=0$)，气箱A和气箱B的气压差为最大，使用气压差所产生的气流量并透过上述公式计算出来的，就叫最大气流量。

Maximum static pressure: As shown in the figure, when closing the nozzle, the pressure in the chamber A will be at it's maximum. This differential pressure (P_s) between the air pressure and the pressure in the chamber A can be called the maximum static pressure.

最大静压：如下图所示，当关闭风阻，在风箱A的气压为最大，在气箱A的气压和在气箱B的气压差 (P_s) 就是最大的静压。

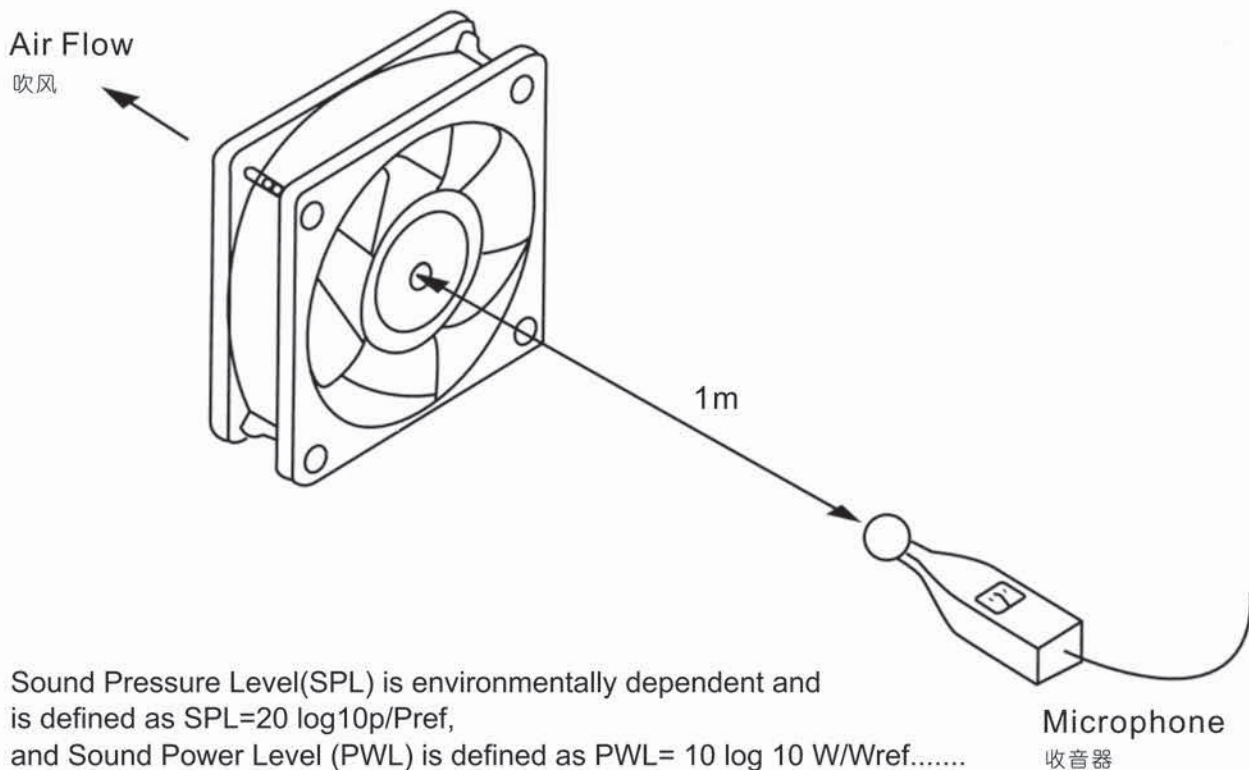


Noise Level Data 噪音指数

The Measurements of noise levels are made in accordance with CNS 8753 (which is very close to DIN 45635), which is being tested in a sound proof chamber with a sound level $L_p < 15\text{dBA}$. A elastic mounts supported microphone is placed 1 meter from the center line of the fan during the test.

The fan is running without any resistance to airflow.

测量噪音是根据CNS8753（非常接近DIN45635），在一个 $L_p < 15\text{dBA}$ 的无回响室中测得，置换一个收音器在一个可伸缩性的平台上，距离风扇1米的中心线上来测量，风扇是在一个无阻力的条件下运转。



Sound Pressure Level(SPL) is environmentally dependent and is defined as $SPL = 20 \log_{10} p / P_{ref}$,

and Sound Power Level (PWL) is defined as $PWL = 10 \log_{10} W / W_{ref}$

音压指数主要是由 $SPL = 20 \log_{10} p / P_{ref}$ 来定义，音量指数主要是由 $PWL = 10 \log_{10} w / W_{ref}$ 来定义

P=Pressure

压力

P_{ref} =A reference pressure

参考压力

W=Acoustic power of the source

音响来源的能量

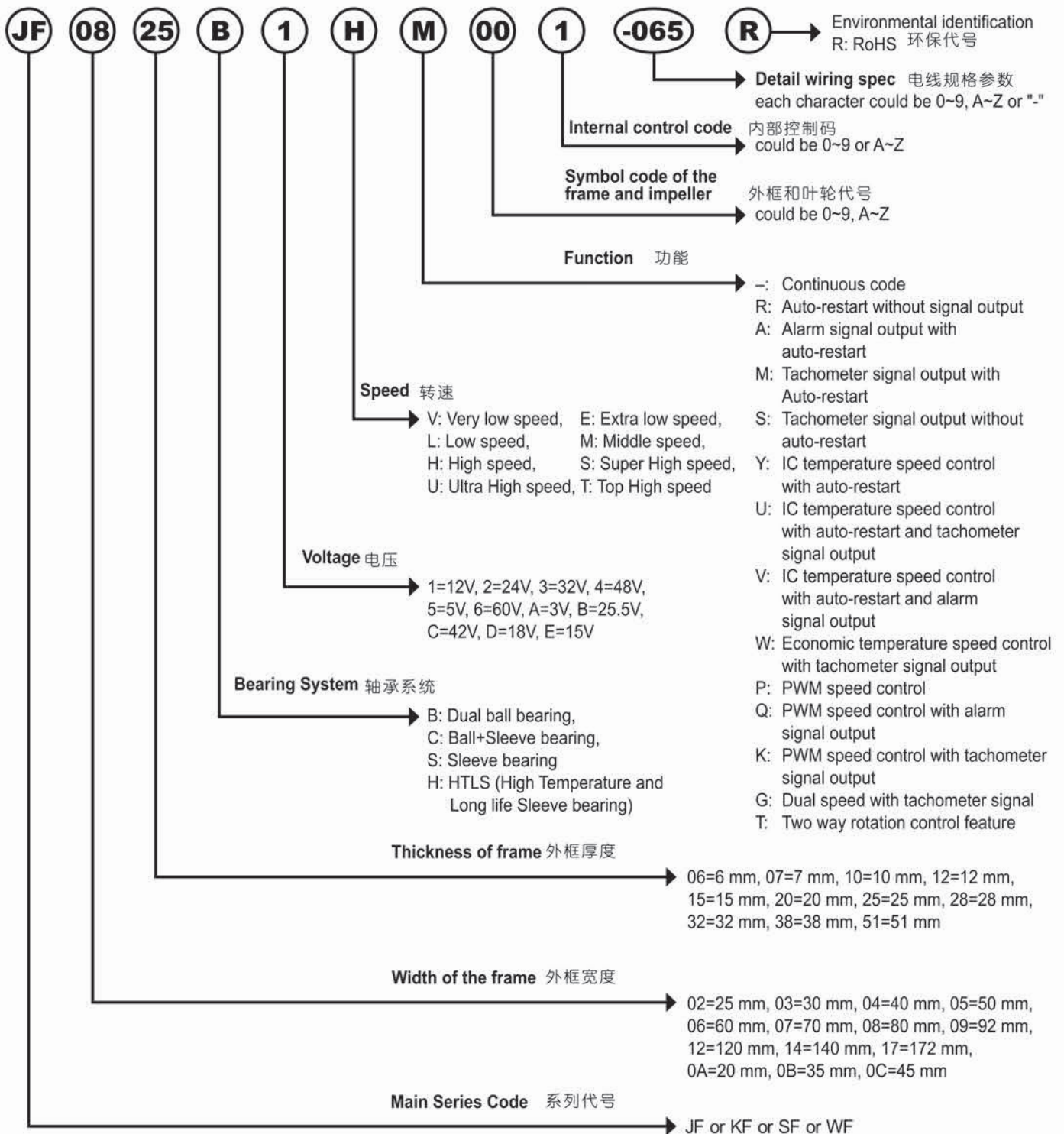
W_{ref} =An acoustic reference power

参考音响能量

Fan noise data is usually plotted as Sound Pressure Level against the octave frequency bands.

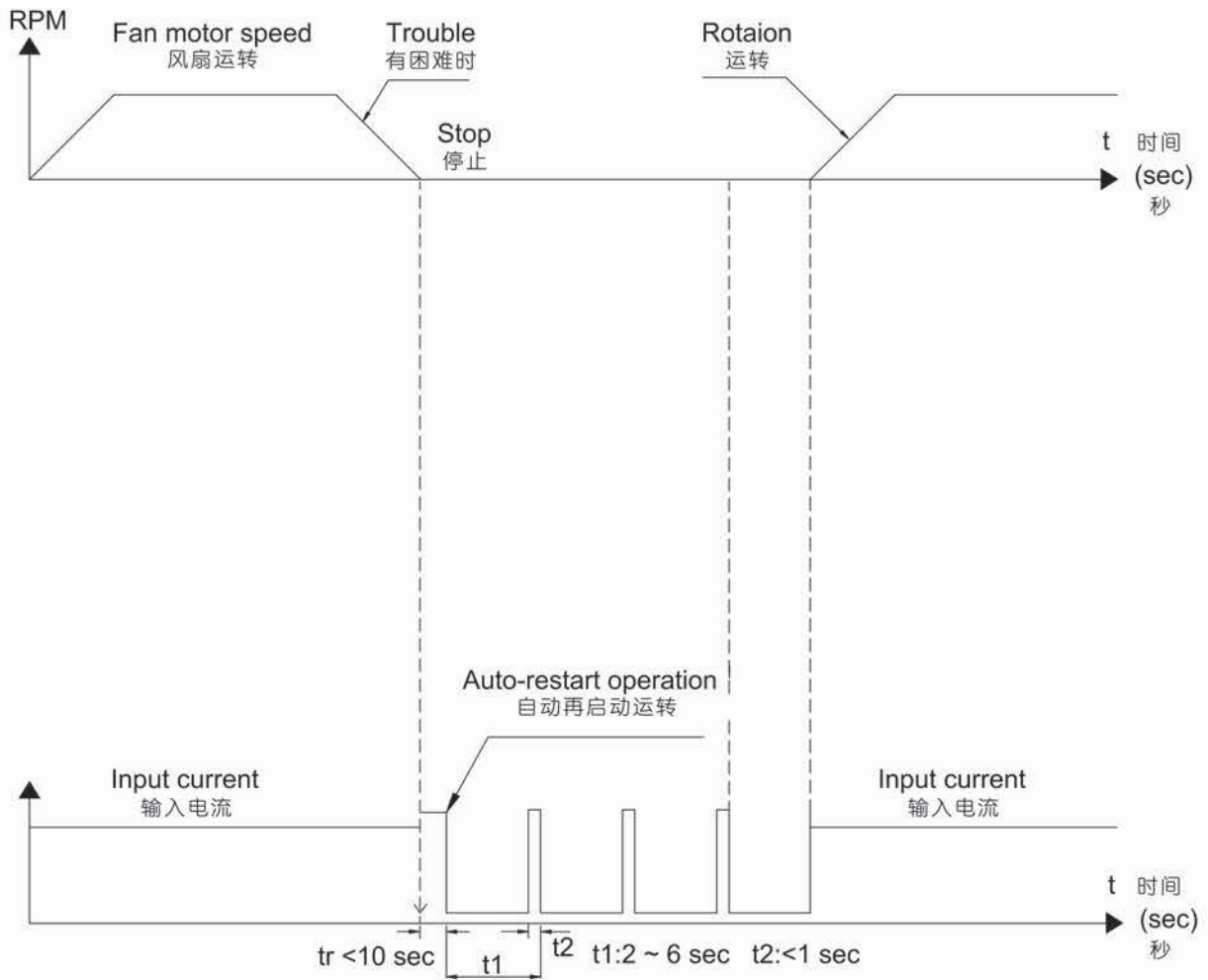
风扇的噪音数据通常是由音压指数对比频率来纠正的

Part Number System of DC Axial Fan



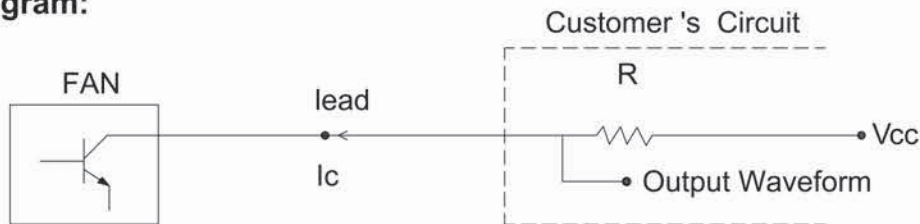
Auto restart without output signal 自动再启动没有报警信号

Diagram:



Auto restart / Alarm signal (Type A) 自动再启动有报警信号 (A型)

Diagram:



Please select R so that $I_c < 10 \text{ mA}$
 请选择上拉电阻使 I_c 电流 $< 10 \text{ mA}$

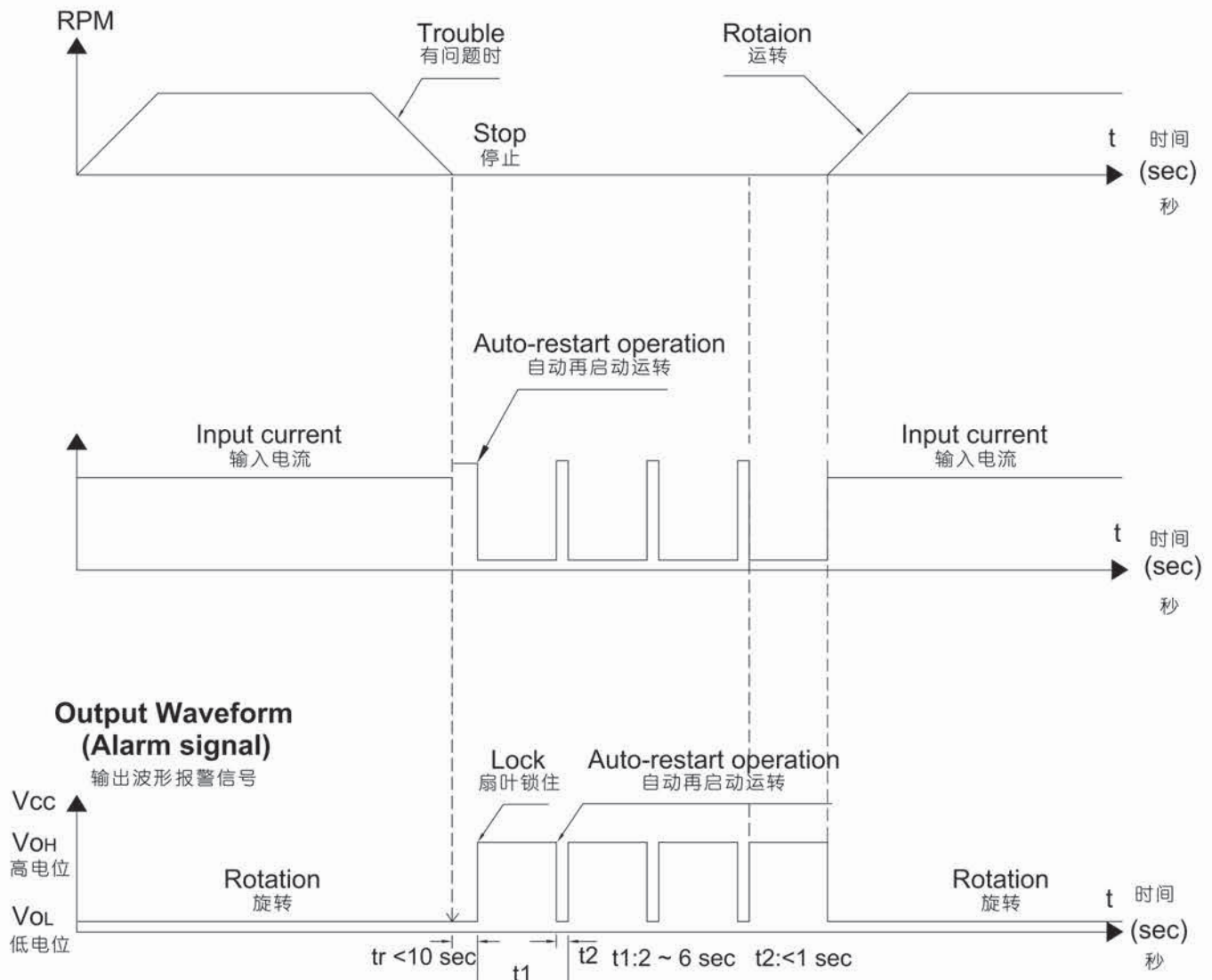
When
 Rated Voltage: 5V
 $V_{cc}: 7 \text{ V max}$

When
 Rated Voltage: 12V
 $V_{cc}: 16 \text{ V max}$

When
 Rated Voltage: 24V
 $V_{cc}: 28 \text{ V max}$

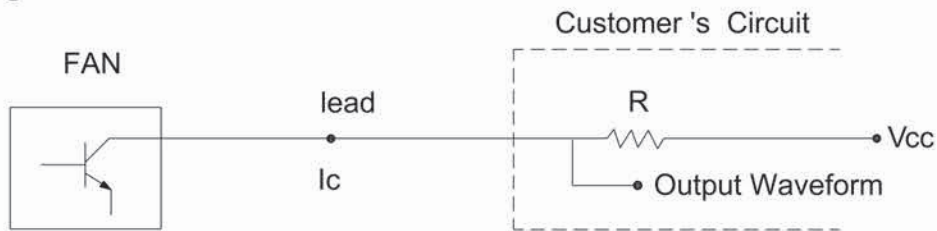
When
 Rated Voltage: 48V
 $V_{cc}: 60 \text{ V max}$

Type A of signal : A型的信号



Auto restart / Alarm signal (Type B) 自动再启动有报警信号 (B型)

Diagram:



Please select R so that $I_c < 10\text{ mA}$
 请选择上拉电阻使 I_c 电流 $< 10\text{ mA}$

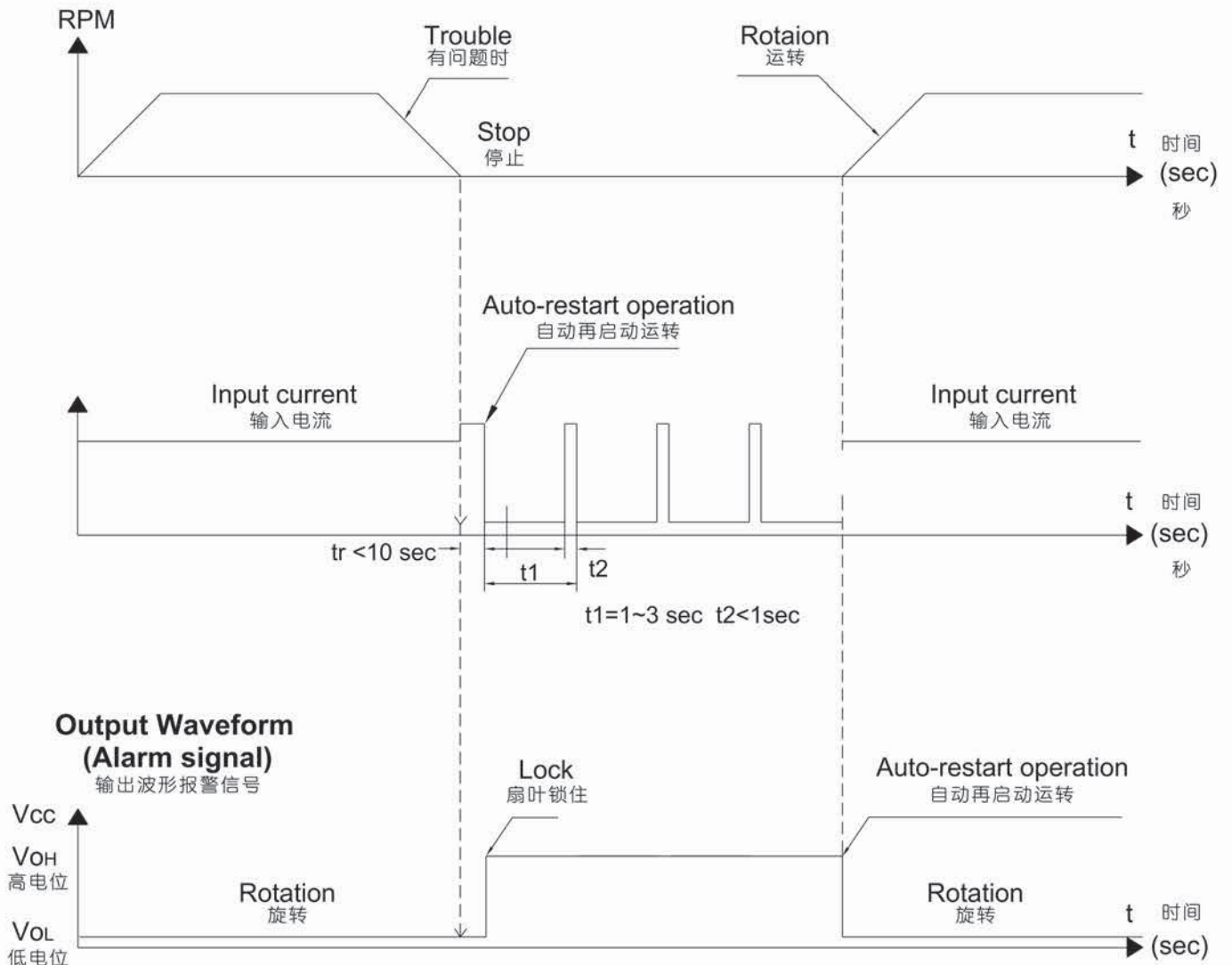
When
 Rated Voltage:5V
 Vcc:7V max

When
 Rated Voltage:12V
 Vcc:16V max

When
 Rated Voltage:24V
 Vcc:28V max

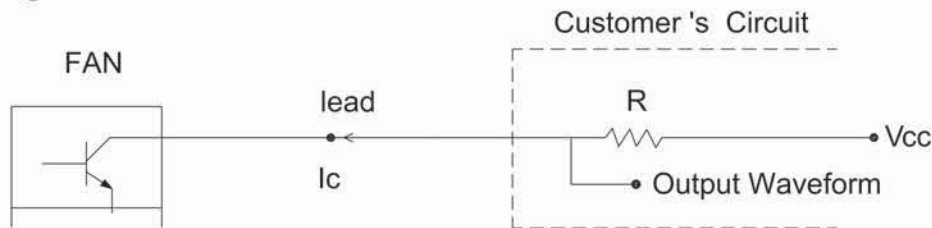
When
 Rated Voltage:48V
 Vcc:60V max

Type B of signal: B型的信号



Auto restart / Alarm signal (Type C) 自动再启动有报警信号 (C型)

Diagram:



Please select R so that $I_c < 10 \text{ mA}$
 请选择上拉电阻使 I_c 电流 $< 10 \text{ mA}$

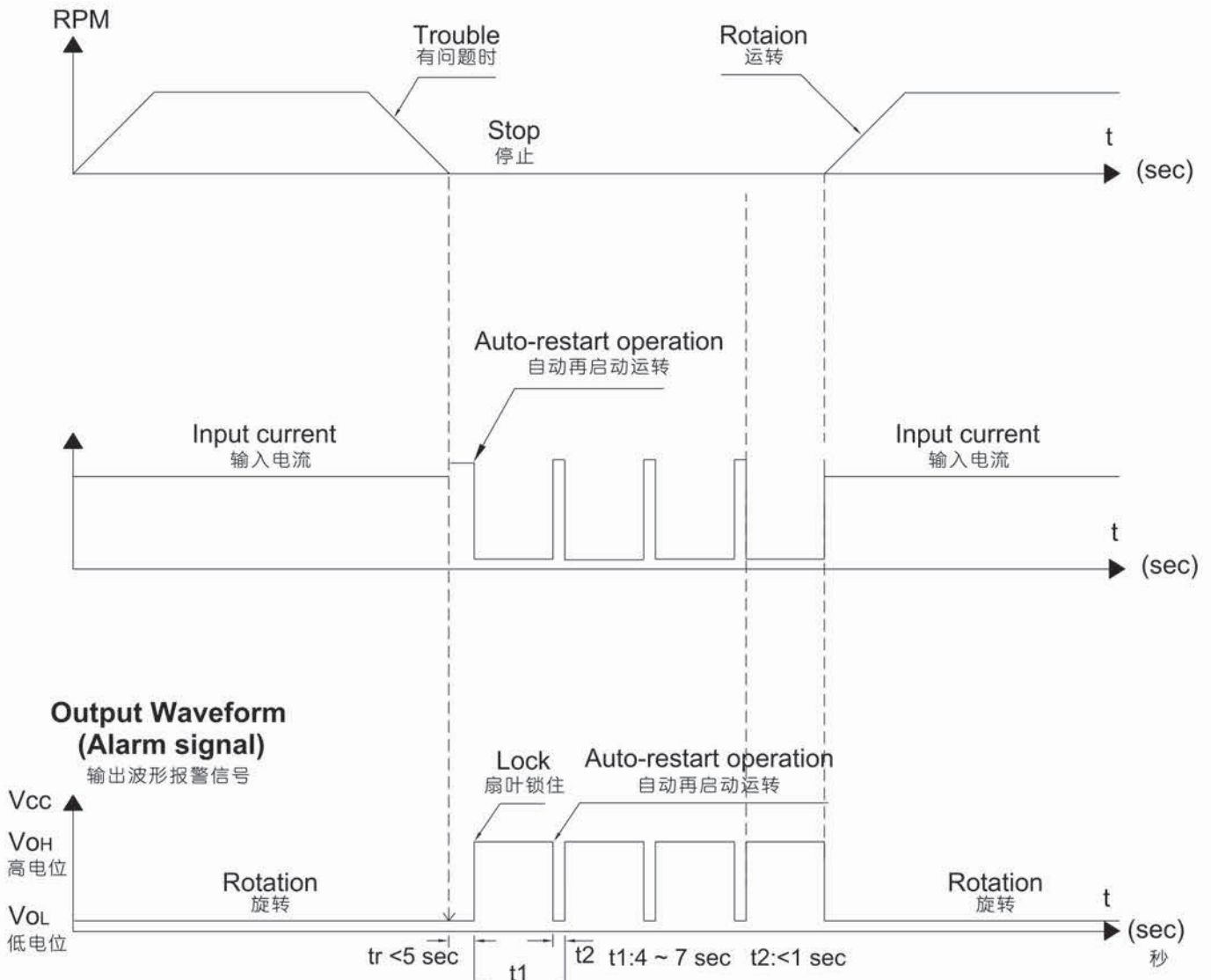
When
 Rated Voltage: 5V
 Vcc: 7V max

When
 Rated Voltage: 12V
 Vcc: 16V max

When
 Rated Voltage: 24V
 Vcc: 28V max

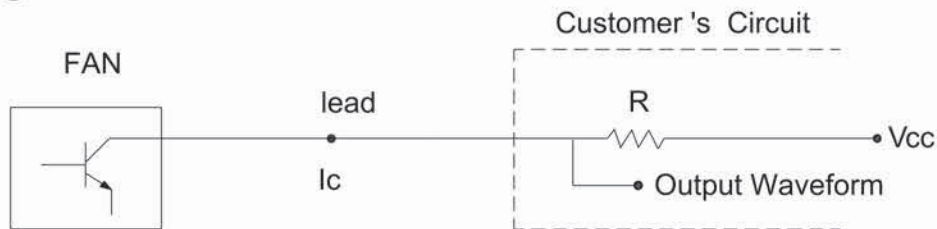
When
 Rated Voltage: 48V
 Vcc: 60V max

Type C of signal: C型的信号



Auto restart / Alarm signal (Type D) 自动再启动有报警信号 (D型)

Diagram:



Please select R so that $I_c < 10 \text{ mA}$
 请选择上拉电阻使 I_c 电流 $< 10 \text{ mA}$

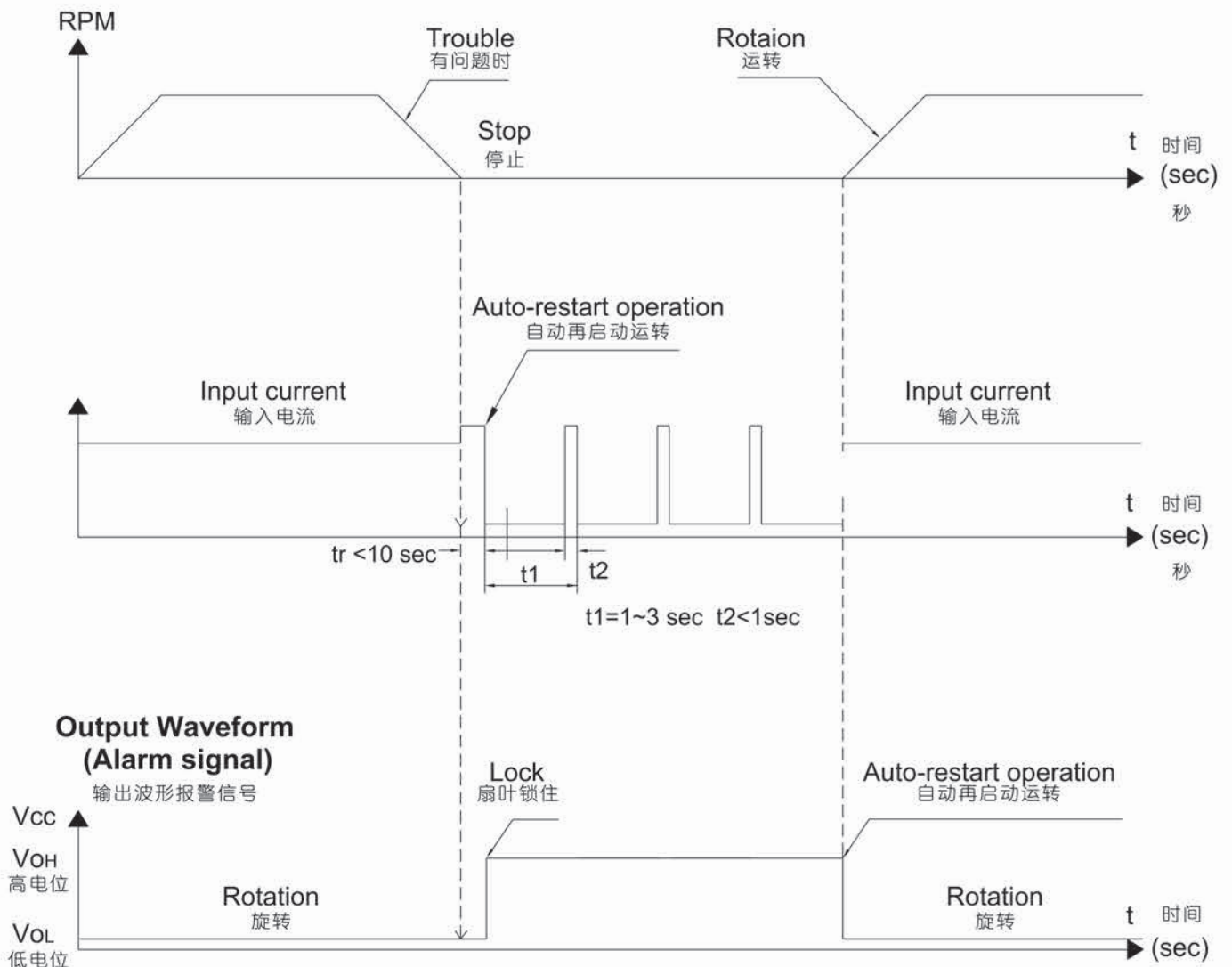
When
 Rated Voltage: 5V
 Vcc: 7V max

When
 Rated Voltage: 12V
 Vcc: 16V max

When
 Rated Voltage: 24V
 Vcc: 28V max

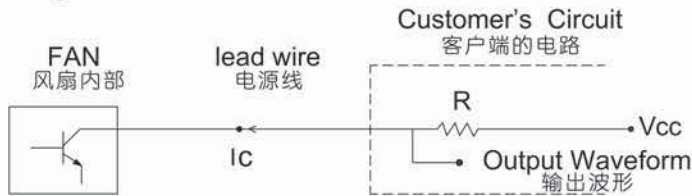
When
 Rated Voltage: 48V
 Vcc: 60V max

Type D of signal: D型的信号



Auto restart / Tachometer signal (Type A) 自动有再启动的转速信号(A型)

Diagram:



Please select R so that $I_c < 10 \text{ mA}$
 请选择上拉电阻使Ic电流<10mA

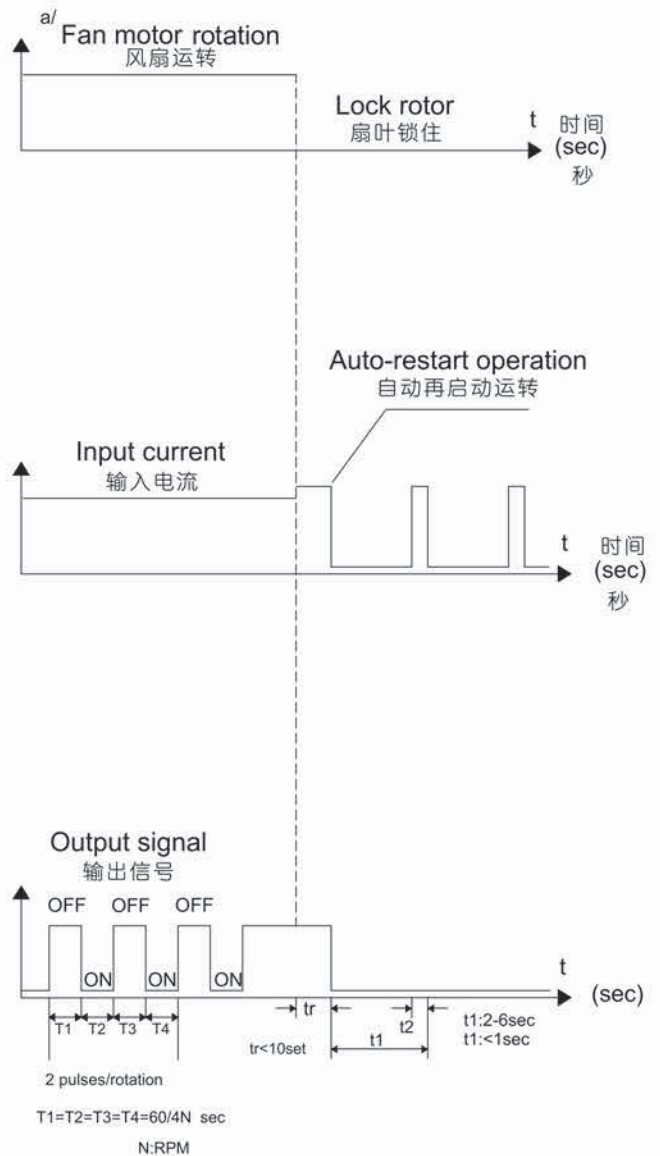
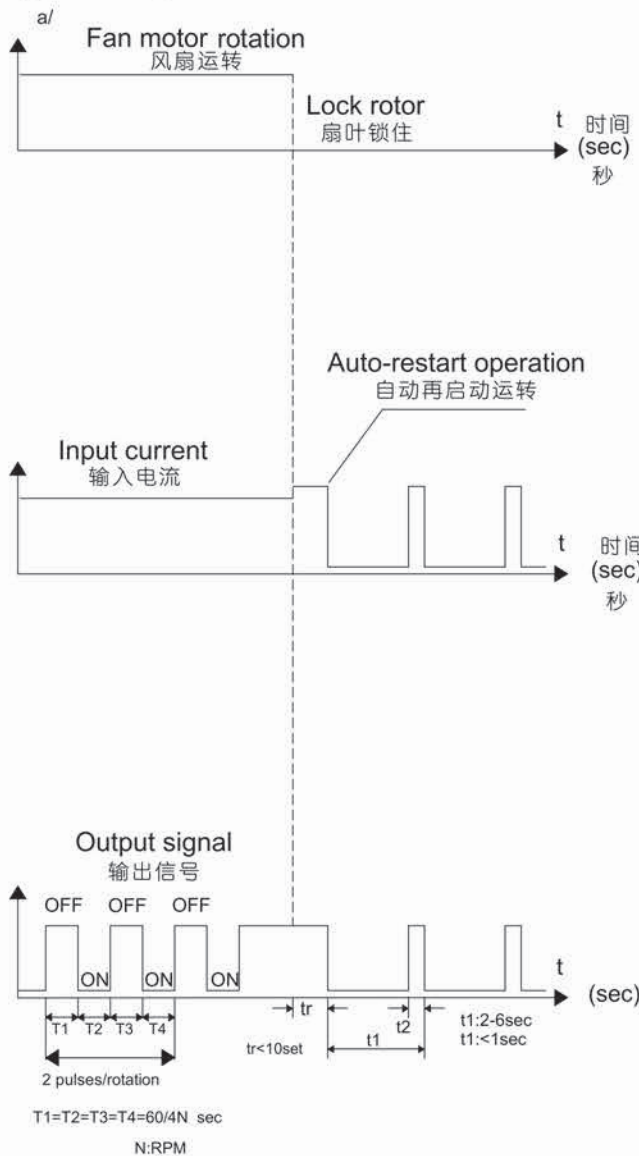
When
 Rated Voltage:5V
 Vcc:7V max
 当额定电压为5V时
 Vcc最大电压7V

When
 Rated Voltage:12V
 Vcc:16V max
 当额定电压为12V时
 Vcc最大电压16V

When
 Rated Voltage:24V
 Vcc:28V max
 当额定电压为24V时
 Vcc最大电压28V

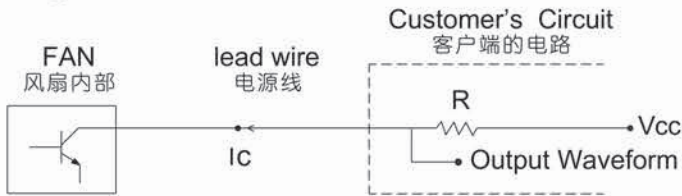
When
 Rated Voltage:48V
 Vcc:60V max
 当额定电压为48V时
 Vcc最大电压60V

Type of signal: 信号的类型



Auto restart / Tachometer signal (Type B) 自动有再启动的转速信号(B型)

Diagram:



Please select R so that $I_c < 10\text{ mA}$
 请选择上拉电阻使 I_c 电流 $< 10\text{ mA}$

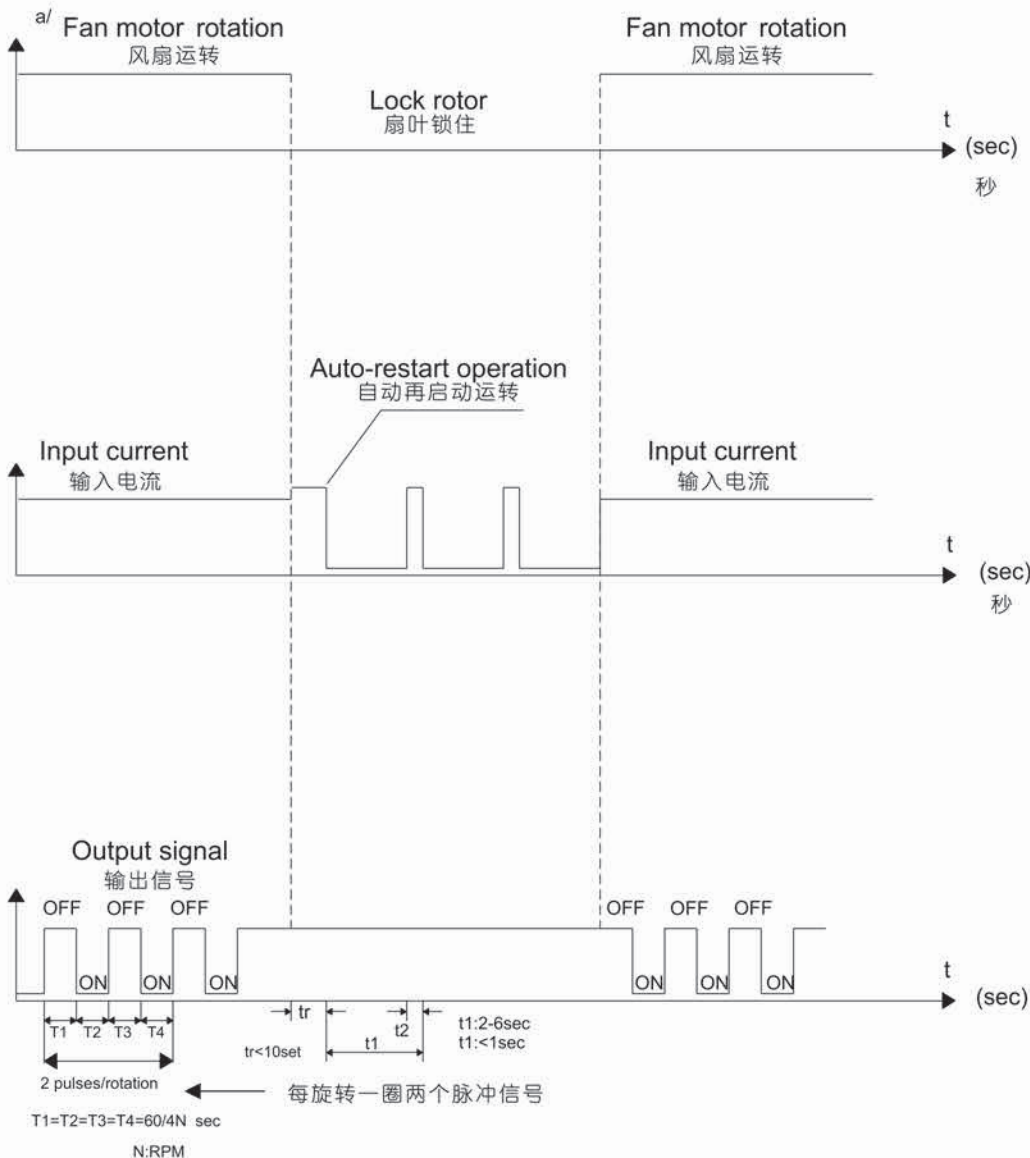
When
 Rated Voltage:5V
 Vcc:7V max
 当额定电压为5V时
 Vcc最大电压7V

When
 Rated Voltage:12V
 Vcc:16V max
 当额定电压为12V时
 Vcc最大电压16V

When
 Rated Voltage:24V
 Vcc:28V max
 当额定电压为24V时
 Vcc最大电压28V

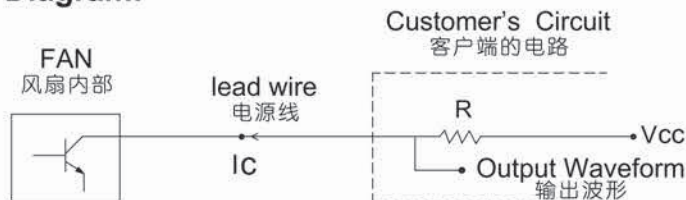
When
 Rated Voltage:48V
 Vcc:60V max
 当额定电压为48V时
 Vcc最大电压60V

Type of signal: 信号的类型



Auto restart / Tachometer signal (TypeC) 自动有再启动的转速信号(C型)

Diagram:



Please select R so that $I_c < 10\text{ mA}$
 请选择上拉电阻使 I_c 电流 $< 10\text{ mA}$

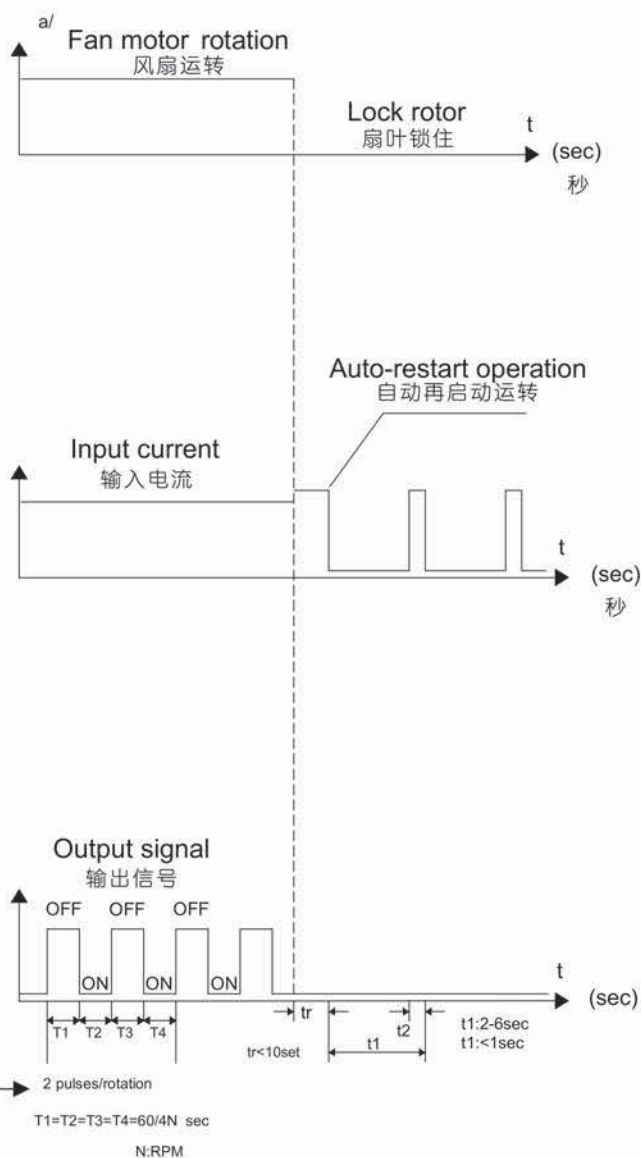
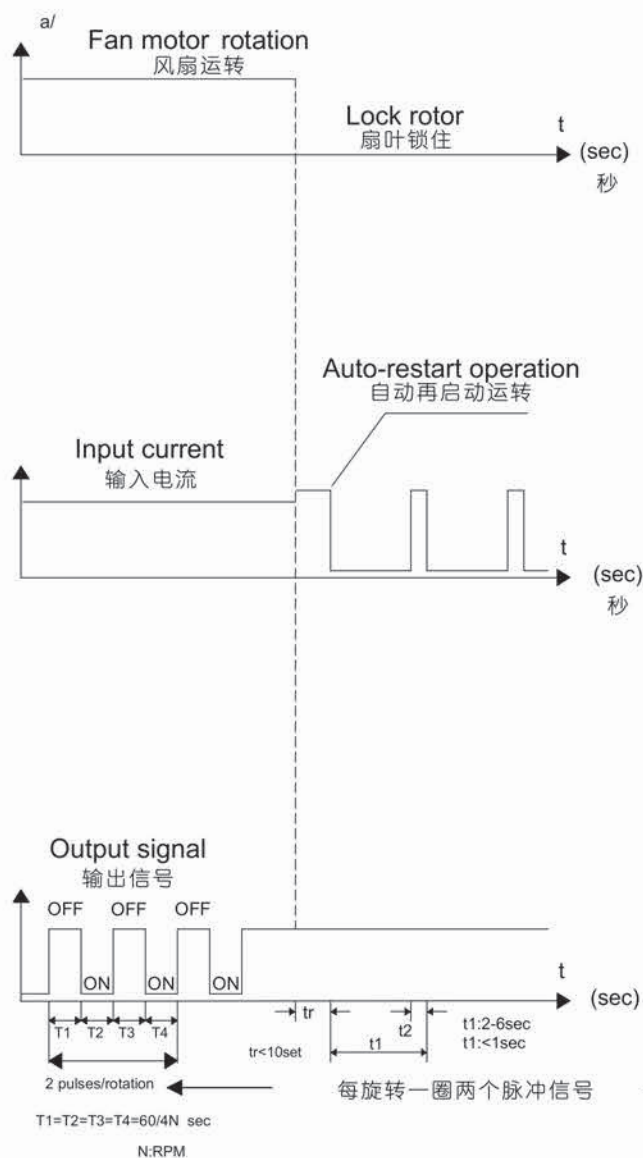
When
 Rated Voltage:5V
 Vcc:7V max
 当额定电压为5V时
 Vcc最大电压7V

When
 Rated Voltage:12V
 Vcc:16V max
 当额定电压为12V时
 Vcc最大电压16V

When
 Rated Voltage:24V
 Vcc:28V max
 当额定电压为24V时
 Vcc最大电压28V

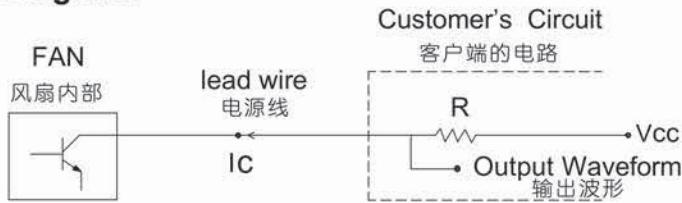
When
 Rated Voltage:48V
 Vcc:60V max
 当额定电压为48V时
 Vcc最大电压60V

Type of signal: 信号的型式



Auto restart / Tachometer signal (Type D) 自动有再启动的转速信号(D型)

Diagram:



Please select R so that $I_c < 10 \text{ mA}$
 请选择上拉电阻使 I_c 电流 $< 10 \text{ mA}$

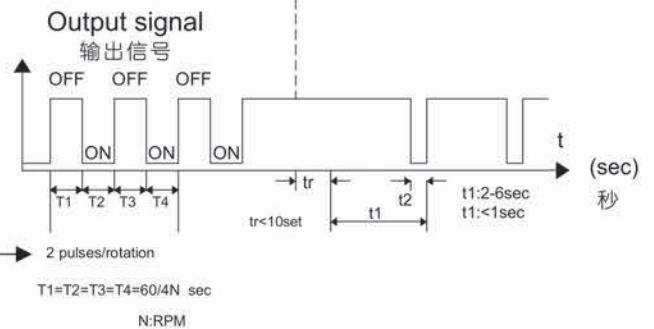
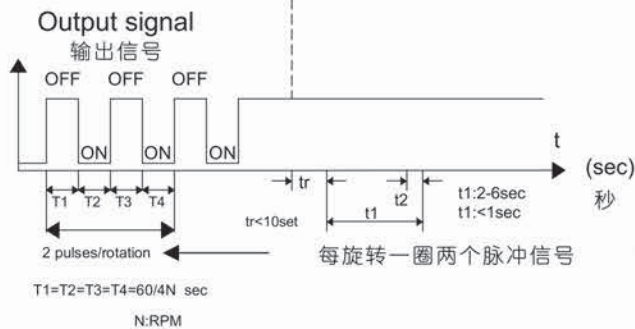
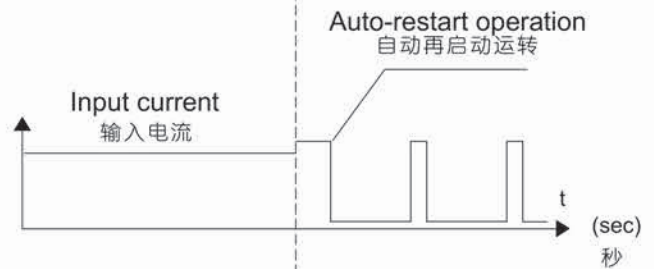
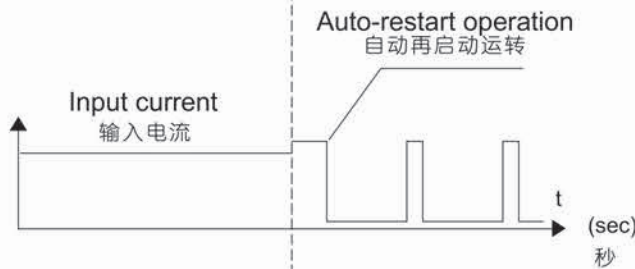
When
 Rated Voltage:5V
 Vcc:7V max
 当额定电压为5V时
 Vcc最大电压7V

When
 Rated Voltage:12V
 Vcc:16V max
 当额定电压为12V时
 Vcc最大电压16V

When
 Rated Voltage:24V
 Vcc:28V max
 当额定电压为24V时
 Vcc最大电压28V

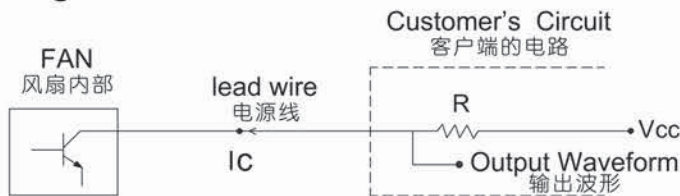
When
 Rated Voltage:48V
 Vcc:60V max
 当额定电压为48V时
 Vcc最大电压60V

Type of signal: 信号的类型



Tachometer signal without Auto-restart 没有自动再启动的转速信号

Diagram:



Please select R so that $I_c < 10\text{ mA}$
 请选择上拉电阻使 I_c 电流 $< 10\text{ mA}$

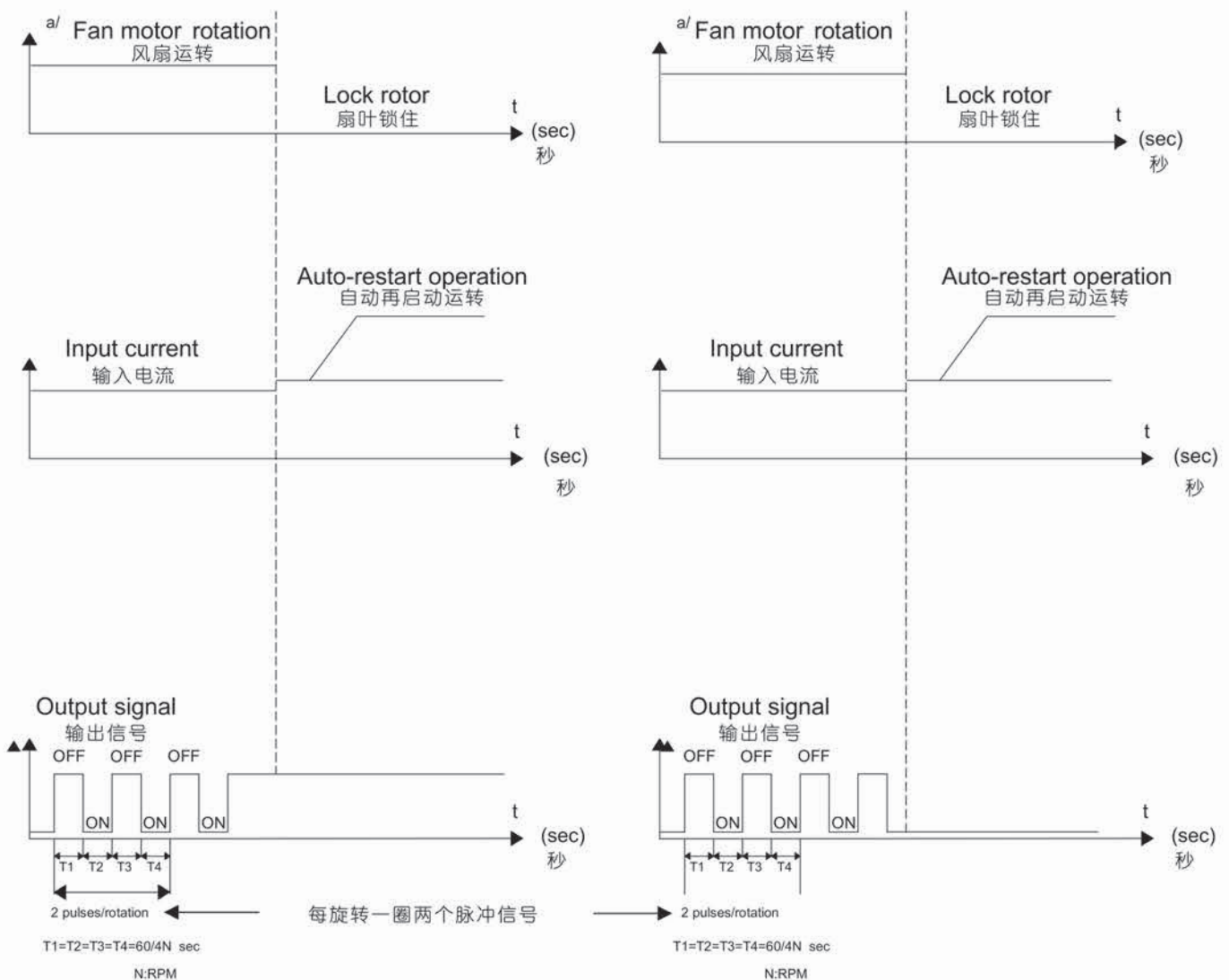
When
 Rated Voltage:5V
 Vcc:7V max
 当额定电压为5V时
 Vcc最大电压7V

When
 Rated Voltage:12V
 Vcc:16V max
 当额定电压为12V时
 Vcc最大电压16V

When
 Rated Voltage:24V
 Vcc:28V max
 当额定电压为24V时
 Vcc最大电压28V

When
 Rated Voltage:48V
 Vcc:60V max
 当额定电压为48V时
 Vcc最大电压60V

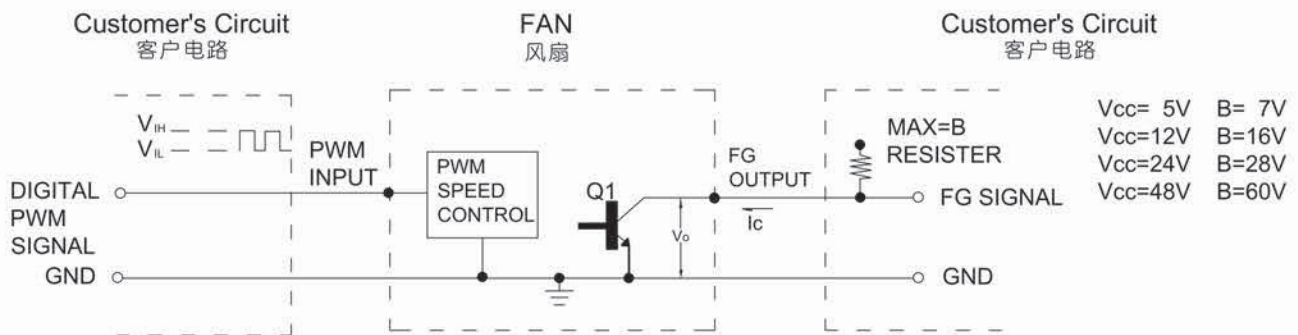
Type of signal: 信号的类型



PWM speed control PWM风速控制

PROVISION OF DIGITAL PWM SPEED CONTROL & LOCKED SIGNAL(FG)
 OUTPUT OF LOCKED SIGNAL-----OPEN COLLECTOR TYPE
 (External signal function design is decided by customer)

其他信号功能控制可根据客户要求



*TRANSISTOR Q1 AT "ON" POSITION

电晶体Q1在"ON"的位置

COLLECTOR CURRENT----- $I_C=10\text{MA MAX}$

接收器电流

SATURATION VOLTAGE----- $V_{OL}=1\text{V MAX}$

提供者电压

*TRANSISTOR Q1 AT "OFF" POSITION

电晶体Q1在"OFF"的位置

RELEASE VOLTAGE----- $V_{OH} \leq V_{CC}$

释放电压

*DIGITAL PWM SPEED CONTROL POSITION

PWM INPUT VOLTAGE HIGH----- $V_{IH}=5.5\text{V MAX}$

PWM输入电压高 最高5.5V

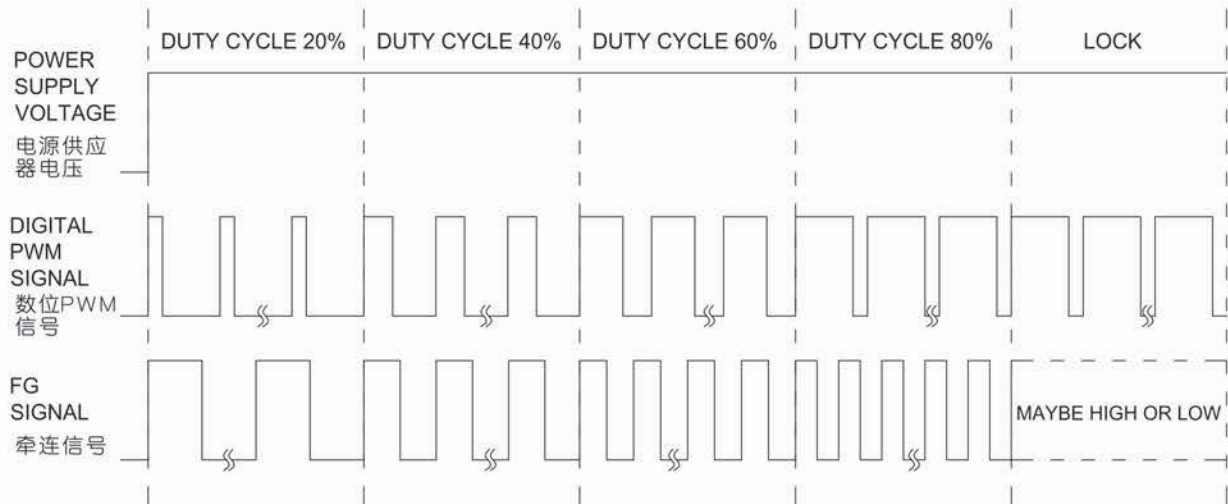
PWM INPUT VOLTAGE LOW----- $V_{IL} \leq 0.4\text{V MAX}$

PWM输入电压低 要低于0.4V

PWM INPUT FREQUENCY----- $F_{PWM}: 21\text{KHz} \sim 28\text{KHz}$

PWM输入频率

ROTATION



General Specifications 一般规格

- | | |
|--|--|
| 1. Operating Temperature : -10°C~70°C (Ordinary humidity) | 运转温度(常湿) |
| 2. Storage Temperature : -40°C~70°C (Ordinary humidity) | 储存温度(常湿) |
| 3. Insulation Resistance : 10M Ohm at DC 500 V. | 绝缘阻力 |
| 4. Dielectric Strength : AC 700 V for 3 sec
(<0.5 mA allowable, between lead and housing). | 耐电压强度
(端子和外框之间) |
| 5. Life: at ambient temperature 25°C and humidity 65% <ul style="list-style-type: none"> • Dual Ball bearing : 50,000~100,000 hours depending upon models and the environmental condition. • HTLS bearing : 30,000~70,000 hours depending upon models and the environmental condition. | 寿命: 环境温度25° C 和湿度65%
双培林轴承: 50000~100000小时, 依据不同型号和环境条件
培林轴承: 30000~70000小时, 依据不同型号和环境条件 |
| 6. Locked Rotor Protection: designed to meet UL, CUL and TUV. | 扇叶锁住保护: 依据UL, CUL, TUV设计 |
| 7. Polarity protection: Reverse connection at the rated voltage will not cause any damage. | 极性保护: 电源线正负电接反也不会造成任何损伤 (在额定电压下) |
| 8. Insulation Class : UL Class A | 绝缘级别: UL A级 |

DC AXIAL FAN

JAMICON®

25x25x10 mm

KF0210-02 Series



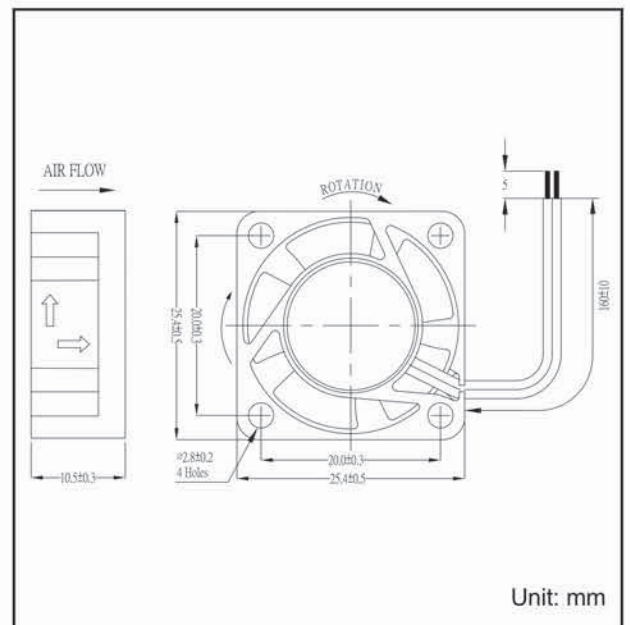
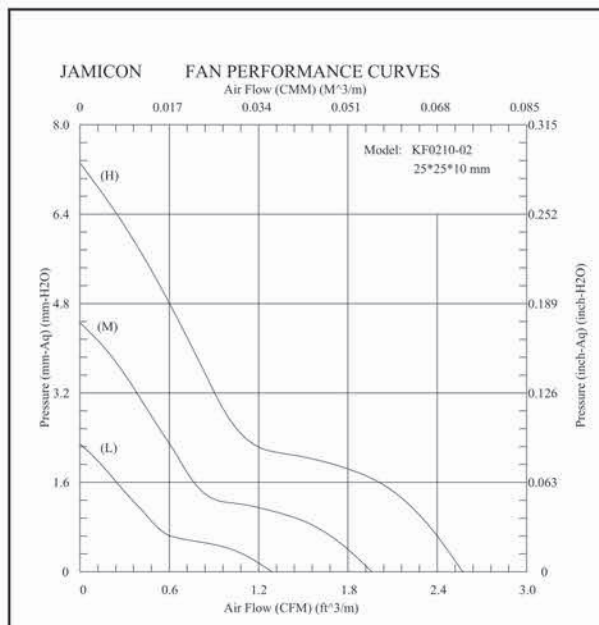
- **Frame** : Plastic Material UL 94V-0
- **Impeller** : Plastic Material UL 94V-0
- **Speed Range** : ±15%

SPECIFICATIONS

Model	Bearing	Rated Voltage (V)	Operating Voltage (V)	Air Flow (CFM)	Static Pressure (inchH ₂ O)	Speed (R.P.M.)	Input Current (Amp)	Input Power (Watt)	Nominal Power (Watt)	Noise (dBA)	Weight (g)
KF0210B5HR	B	5	4.25~5.75	2.57	0.288	13000	0.20	1.00	1.0	27.40	7
KF0210B5MR				1.96	0.176	10000	0.13	0.65	0.8	22.40	
KF0210B5LR				1.29	0.090	7000	0.10	0.50	0.5	14.80	
KF0210S5HR	S			2.57	0.288	13000	0.22	1.10	1.1	27.40	
KF0210S5MR				1.96	0.176	10000	0.18	0.90	1.0	22.40	
KF0210S5LR				1.29	0.090	7000	0.12	0.60	0.7	14.80	
KF0210B1HR	B	12	10.2~13.8	2.57	0.288	13000	0.09	1.08	1.6	27.40	
KF0210B1MR				1.96	0.176	10000	0.066	0.80	0.8	22.40	
KF0210B1LR				1.29	0.090	7000	0.058	0.70	0.7	14.80	
KF0210S1HR	S			2.57	0.288	13000	0.12	1.44	1.5	27.40	
KF0210S1MR				1.96	0.176	10000	0.10	1.20	1.3	22.40	
KF0210S1LR				1.29	0.090	7000	0.08	0.96	1.2	14.80	

Specifications subject to change without notice

The 7TH character of Model No means the bearing code. Please refer to the page "PART NUMBER SYSTEM". Please contact us for detail if your request bearing system is not shown in the above list.



DC AXIAL FAN

JAMICON®

30X30X10 mm

KF0310-01 Series



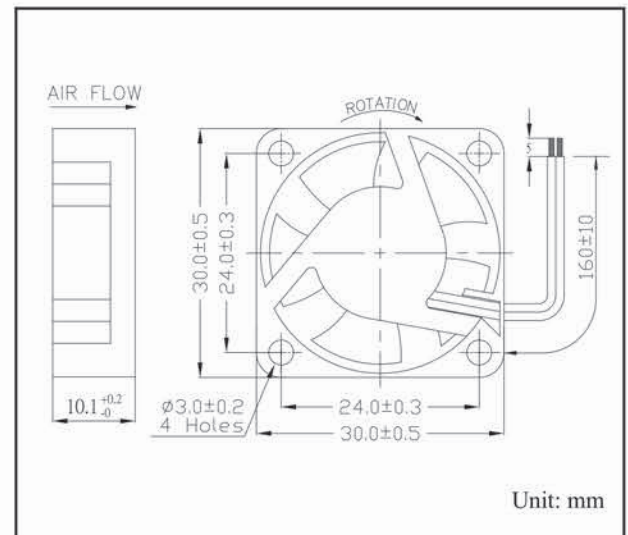
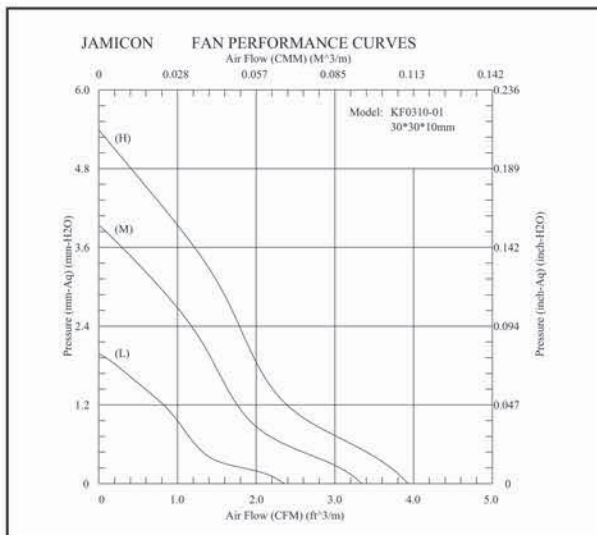
- **Frame** : Plastic Material UL 94V-0
- **Impeller** : Plastic Material UL 94V-0
- **Speed Range** : ±15%

SPECIFICATIONS

Model	Bearing	Rated Voltage (V)	Operating Voltage (V)	Air Flow (CFM)	Static Pressure (inchH ₂ O)	Speed (R.P.M.)	Input Current (Amp)	Input Power (Watt)	Nominal Power (Watt)	Noise (dBA)	Weight (g)
KF0310B5HR	B	5	4.25~5.75	3.93	0.212	10000	0.20	1.00	1.0	31.6	8.5
KF0310B5MR				3.34	0.155	8500	0.16	0.80	0.9	27.4	
KF0310B5LR				2.35	0.080	6000	0.08	0.40	0.5	20.1	
KF0310S5HR	S			3.93	0.212	10000	0.20	1.00	1.1	31.6	
KF0310S5MR				3.34	0.155	8500	0.16	0.80	1.0	27.4	
KF0310S5LR				2.35	0.080	6000	0.09	0.40	0.6	20.1	
KF0310B1HR	B	12	10.2~13.8	3.93	0.212	10000	0.11	1.32	1.4	31.6	
KF0310B1MR				3.34	0.155	8500	0.08	0.96	1.3	27.4	
KF0310B1LR				2.35	0.080	6000	0.058	0.70	0.7	20.1	
KF0310S1HR	S			3.93	0.212	10000	0.09	1.08	1.5	31.6	
KF0310S1MR				3.34	0.155	8500	0.06	0.72	1.3	27.4	
KF0310S1LR				2.35	0.080	6000	0.04	0.48	0.7	20.1	

Specifications subject to change without notice

The 7TH character of Model No means the bearing code. Please refer to the page "PART NUMBER SYSTEM". Please contact us for detail if your request bearing system is not shown in the above list.



Unit: mm

DC AXIAL FAN

JAMICON®

35X35X10 mm

KFOB10-01 Series



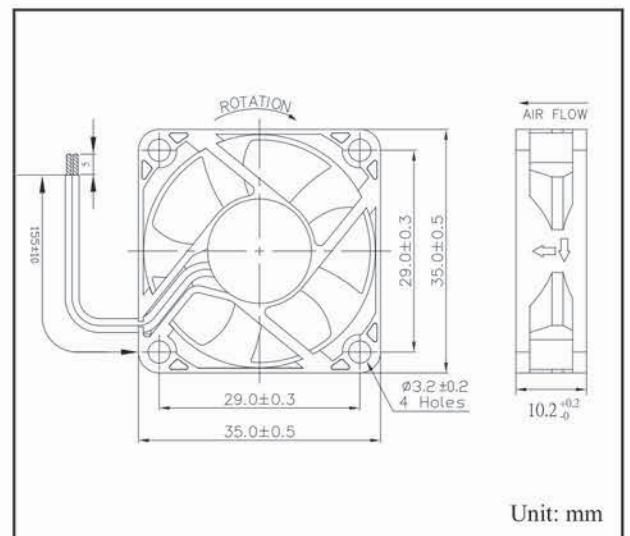
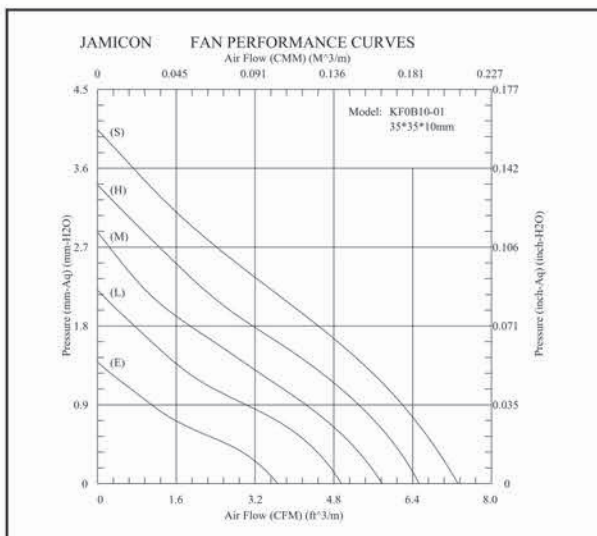
- **Frame** : Plastic Material UL 94V-0
- **Impeller** : Plastic Material UL 94V-0
- **Speed Range** : ±15%

SPECIFICATIONS

Model	Bearing	Rated Voltage (V)	Operating Voltage (V)	Air Flow (CFM)	Static Pressure (inchH ₂ O)	Speed (R.P.M.)	Input Current (Amp)	Input Power (Watt)	Nominal Power (Watt)	Noise (dBA)	Weight (g)
KFOB10-5SR	B, S	5	4.25 ~ 5.75	7.32	0.159	9500	0.23	1.15	1.2	29.9	8.5
KFOB10-5HR				6.53	0.134	8500	0.21	1.05	1.1	26.3	
KFOB10-5MR				5.78	0.113	7500	0.14	0.70	0.8	24.5	
KFOB10-5LR				4.95	0.087	6500	0.09	0.45	0.5	20.7	
KFOB10-5ER				3.66	0.055	4800	0.07	0.35	0.4	15.0	
KFOB10-1SR		12	10.2 ~ 13.8	7.32	0.159	9500	0.13	1.56	1.7	29.9	
KFOB10-1HR				6.53	0.134	8500	0.10	1.20	1.2	26.3	
KFOB10-1MR				5.78	0.113	7500	0.08	0.96	1.0	24.5	
KFOB10-1LR				4.95	0.087	6500	0.06	0.72	0.8	20.7	
KFOB10-1ER				3.66	0.055	4800	0.05	0.60	0.6	15.0	

Specifications subject to change without notice

The 7TH character of Model No means the bearing code. Please refer to the page "PART NUMBER SYSTEM". Please contact us for detail if your request bearing system is not shown in the above list.



DC AXIAL FAN

JAMICON®

40X40X10 mm

KF0410-01 Series



- **Frame** : Plastic Material UL 94V-0
- **Impeller** : Plastic Material UL 94V-0
- **Speed Range** : ±10%

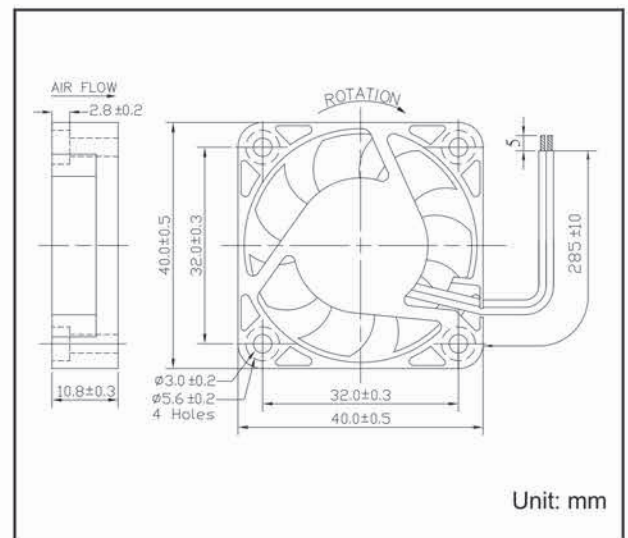
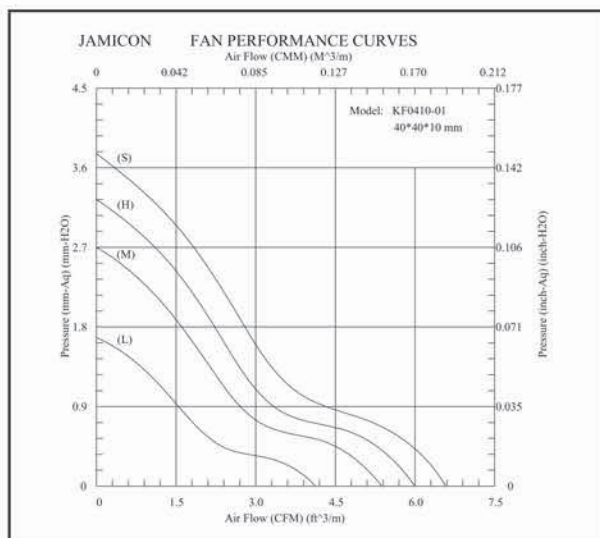
SPECIFICATIONS

Model	Bearing	Rated Voltage (V)	Operating Voltage (V)	Air Flow (CFM)	Static Pressure (inchH ₂ O)	Speed (R.P.M.)	Input Current (Amp)	Input Power (Watt)	Nominal Power (Watt)	Noise (dBA)	Weight (g)
KF0410B5H-AO	B	5	4.25~5.75	7.55	0.183	7500	0.16	0.80	0.8	33.7	16
KF0410B5H				6.00	0.128	6000	0.13	0.65	0.8	28.0	
KF0410B5M				5.38	0.106	5400	0.09	0.45	0.5	25.7	
KF0410B5L				4.12	0.066	4200	0.07	0.35	0.4	20.9	
KF0410S5H	S			6.00	0.128	6000	0.20	1.00	1.2	28.0	
KF0410S5M				5.38	0.106	5400	0.10	0.50	0.8	25.7	
KF0410S5L				4.12	0.066	4200	0.08	0.40	0.6	20.9	
KF0410B1H-AO				B	12	10.2~13.8	7.55	0.183	7500	0.066	
KF0410B1H	6.00	0.128	6000				0.066	0.80	0.8	28.0	
KF0410B1M	5.38	0.106	5400				0.058	0.70	0.7	25.7	
KF0410B1L	4.12	0.066	4200				0.05	0.60	0.6	20.9	
KF0410S1H	S	6.00	0.128	6000			0.08	0.96	1.2	28.0	
KF0410S1M		5.38	0.106	5400			0.066	0.80	0.8	25.7	
KF0410S1L		4.12	0.066	4200			0.058	0.70	0.7	20.9	
KF0410B2S-AI		B	24	20.4~27.6			7.55	0.183	7500	0.058	
KF0410B2S	6.58				0.148	6600	0.058	1.40	1.4	30.6	
KF0410B2H	6.00				0.128	6000	0.05	1.20	1.2	28.0	
KF0410B2M	5.38				0.106	5400	0.04	0.96	1.0	25.7	
KF0410B2L	4.12				0.066	4200	0.03	0.72	0.8	20.9	
KF0410S2H	S				6.00	0.128	6000	0.05	1.20	1.2	28.0
KF0410S2M					5.38	0.106	5400	0.04	0.96	1.0	25.7
KF0410S2L					4.12	0.066	4200	0.03	0.72	0.8	20.9

Specifications subject to change without notice

The 7TH character of Model No means the bearing code. Please refer to the page "PART NUMBER SYSTEM".

Please contact us for detail if your request bearing system is not shown in the above list.



DC AXIAL FAN

JAMICON®

40X40X10 mm

KF0410-03 KF0410-08 Series



- **Frame** : Plastic Material UL 94V-0
- **Impeller** : Plastic Material UL 94V-0
- **Speed Range** : ±10%

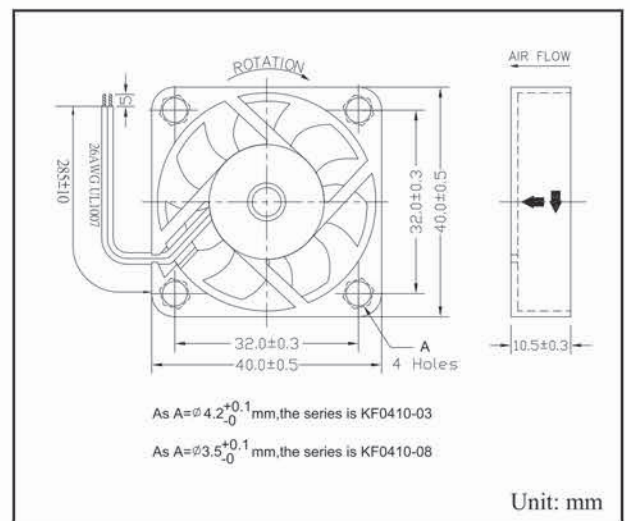
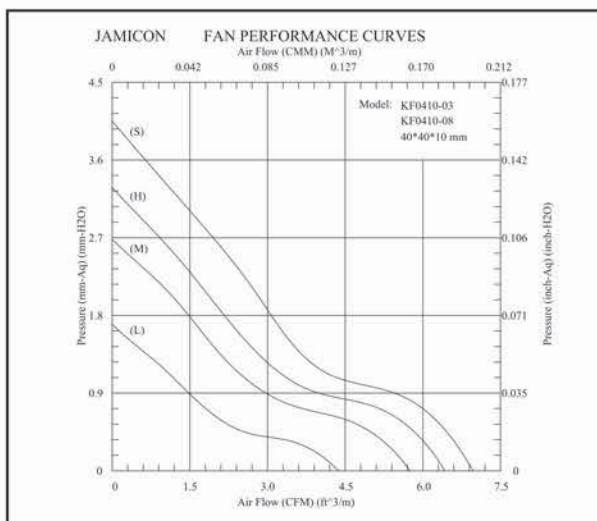
SPECIFICATIONS

Model	Bearing	Rated Voltage (V)	Operating Voltage (V)	Air Flow (CFM)	Static Pressure (inchH ₂ O)	Speed (R.P.M.)	Input Current (Amp)	Input Power (Watt)	Nominal Power (Watt)	Noise (dBA)	Weight (g)	
KF0410B5H-AO	B	5	4.25~5.75	8.09	0.187	7500	0.16	0.80	0.8	31.4	16	
KF0410B5H				6.42	0.129	6000	0.13	0.65	0.8	26.4		
KF0410B5M				5.75	0.106	5400	0.09	0.45	0.5	24.4		
KF0410B5L				4.37	0.067	4200	0.07	0.35	0.4	19.9		
KF0410S5H	S			6.42	0.129	6000	0.20	1.00	1.2	26.4		
KF0410S5M				5.75	0.106	5400	0.10	0.50	0.8	24.4		
KF0410S5L				4.37	0.067	4200	0.08	0.40	0.6	19.9		
KF0410B1H-AO				B	12	10.2~13.8	8.09	0.187	7500	0.06		0.72
KF0410B1H	6.42	0.129	6000				0.06	0.80	0.8	26.4		
KF0410B1M-	5.75	0.106	5400				0.058	0.70	0.7	24.4		
KF0410B1L	4.37	0.067	4200				0.05	0.60	0.6	19.9		
KF0410S1H	S	6.42	0.129	6000			0.08	0.96	1.2	26.4		
KF0410S1M		5.75	0.106	5400			0.066	0.80	0.8	24.4		
KF0410S1L		4.37	0.067	4200			0.058	0.70	0.7	19.9		
KF0410B2S-AI		B	24	20.4~27.6			8.09	0.187	7500	0.058		1.40
KF0410B2S	6.97				0.159	6600	0.05	1.20	1.4	29.3		
KF0410B2H	6.42				0.129	6000	0.05	1.20	1.2	26.4		
KF0410B2M	5.75				0.106	5400	0.04	0.96	1.0	24.4		
KF0410B2L	4.37				0.067	4200	0.03	0.72	0.8	19.9		
KF0410S2H	S				6.42	0.129	6000	0.05	1.20	1.2		26.4
KF0410S2M					5.75	0.106	5400	0.04	0.96	1.0		24.4
KF0410S2L					4.37	0.067	4200	0.03	0.72	0.8		19.9

Specifications subject to change without notice

The 7TH character of Model No means the bearing code. Please refer to the page "PART NUMBER SYSTEM".

Please contact us for detail if your request bearing system is not shown in the above list.



DC AXIAL FAN

JAMICON®

40X40X15 mm

KF0415-11 Series



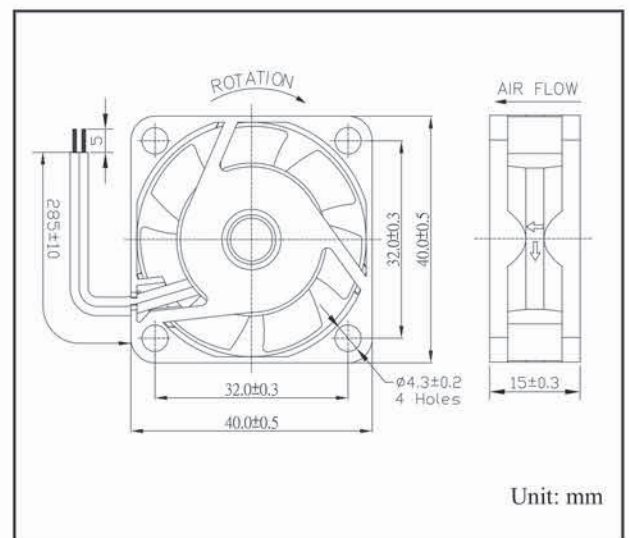
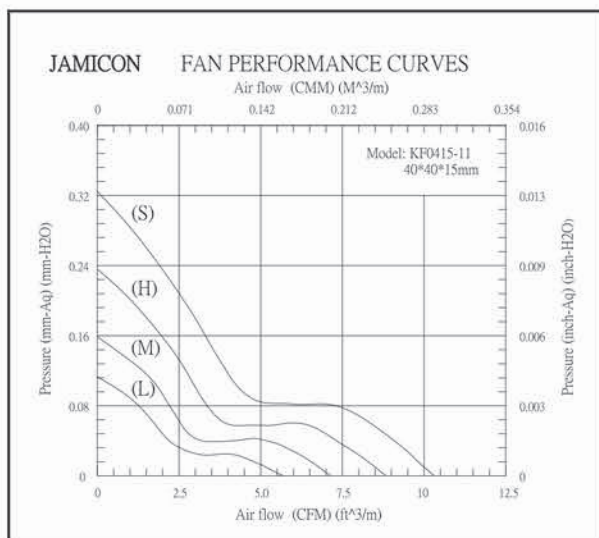
- **Frame** : Plastic Material UL 94V-0
- **Impeller** : Plastic Material UL 94V-0
- **Speed Range** : ±10%

SPECIFICATIONS

Model	Bearing	Rated Voltage (V)	Operating Voltage (V)	Air Flow (CFM)	Static Pressure (inchH ₂ O)	Speed (R.P.M.)	Input Current (Amp)	Input Power (Watt)	Nominal Current (Amp)	Noise (dBA)	Weight (g)
KF0415B5SR	B	5	4.25~5.75	10.32	0.325	8600	0.53	2.65	0.70	39.0	25
KF0415B5HR				8.84	0.237	7300	0.32	1.60	0.44	32.9	
KF0415-5M	B, S			7.14	0.159	6000	0.21	1.05	0.25	28.6	
KF0415-5L	B, S			5.70	0.113	5000	0.16	0.80	0.17	24.9	
KF0415B1SRAR	B	12	10.2~13.8	14.94	0.537	12200	0.23	2.76	0.25	53.1	
KF0415B1SR				10.32	0.325	8600	0.19	2.28	0.25	39.0	
KF0415B1HR	8.84			0.237	7300	0.13	1.56	0.17	32.9		
KF0415-1M	B, S			7.14	0.159	6000	0.08	0.96	0.11	28.6	
KF0415-1L	B, S	5.70	0.113	5000	0.06	0.72	0.08	24.9			
KF0415B2SRAN	B	24	20.4~27.6	11.05	0.435	10000	0.09	2.16	0.11	45.6	
KF0415B2SR				10.32	0.325	8600	0.09	2.16	0.11	39.0	
KF0415B2HR	8.84			0.237	7300	0.07	1.68	0.08	32.9		
KF0415-2M	B, S			7.14	0.159	6000	0.05	1.20	0.06	28.6	
KF0415-2L	B, S	5.70	0.113	5000	0.03	0.72	0.04	24.9			

Specifications subject to change without notice

The 7TH character of Model No means the bearing code. Please refer to the page "PART NUMBER SYSTEM". Please contact us for detail if your request bearing system is not shown in the above list.



DC AXIAL FAN

JAMICON®

40X40X20 mm

KF0420-01 KF0420-04 Series



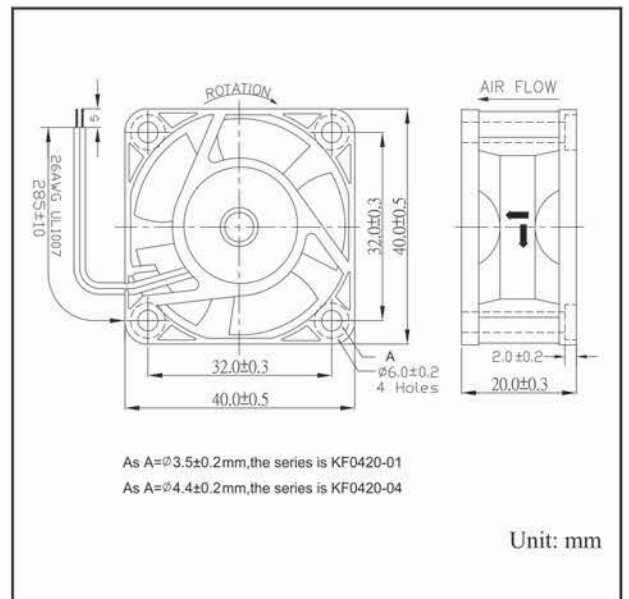
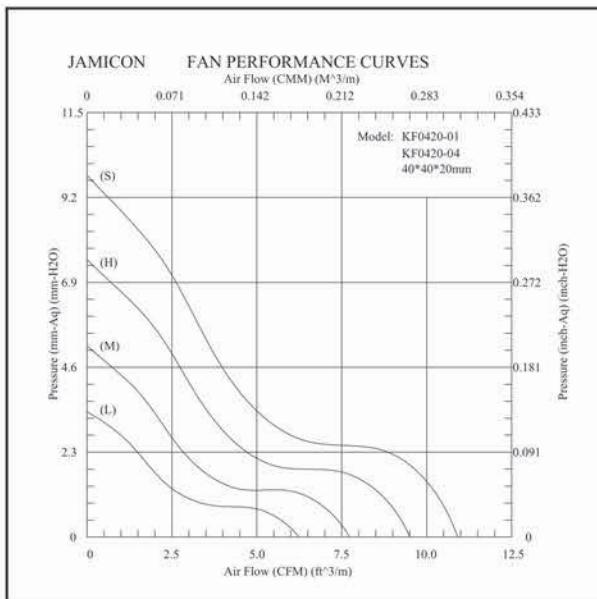
- **Frame** : Plastic Material UL 94V-0
- **Impeller** : Plastic Material UL 94V-0
- **Speed Range** : ±10%

SPECIFICATIONS

Model	Bearing	Rated Voltage (V)	Operating Voltage (V)	Air Flow (CFM)	Static Pressure (inchH ₂ O)	Speed (R.P.M.)	Input Current (Amp)	Input Power (Watt)	Nominal Power (Watt)	Noise (dBA)	Weight (g)
KF0420B5H-AJ	B	5	4.25~5.75	10.91	0.386	8500	0.24	1.20	1.3	35.2	25
KF0420-5H	B, S			9.50	0.296	7500	0.23	1.15	1.3	32.6	
KF0420-5M	B, S			7.73	0.204	6200	0.15	0.75	0.8	26.5	
KF0420-5L	B, S			6.24	0.134	5000	0.09	0.45	0.6	22.0	
KF0420B1H-AO	B	12	10.2~13.8	11.62	0.431	9000	0.13	1.56	1.6	36.5	
KF0420B1H-AJ				B	10.91	0.386	8500	0.13	1.56	1.6	
KF0420-1H	B, S			9.50	0.296	7500	0.10	1.20	1.6	32.6	
KF0420-1M	B, S			7.73	0.204	6200	0.08	0.96	1.3	26.5	
KF0420-1L	B, S	6.24	0.134	5000	0.06	0.72	0.8	22.0			
KF0420B2S-AE	B	24	20.4~27.6	11.62	0.431	9000	0.10	2.40	2.6	36.5	
KF0420B2S				B	10.91	0.386	8500	0.09	2.16	2.6	
KF0420-2H	B, S			9.50	0.296	7500	0.07	1.68	2.0	32.6	
KF0420-2M	B, S			7.73	0.204	6200	0.05	1.20	1.5	26.5	
KF0420-2L	B, S			6.24	0.134	5000	0.04	0.96	1.1	22.0	

Specifications subject to change without notice

The 7th character of Model No means the bearing code. Please refer to the page "PART NUMBER SYSTEM". Please contact us for detail if your request bearing system is not shown in the above list.



DC AXIAL FAN

JAMICON®

40X40X28 mm

SF0428-11 Series



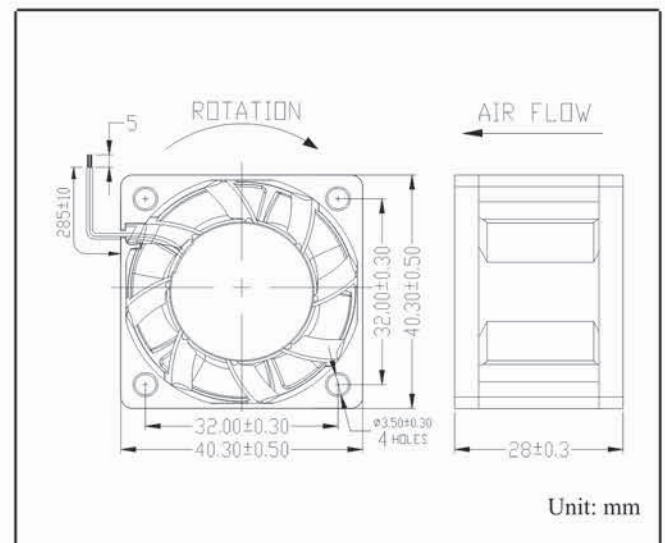
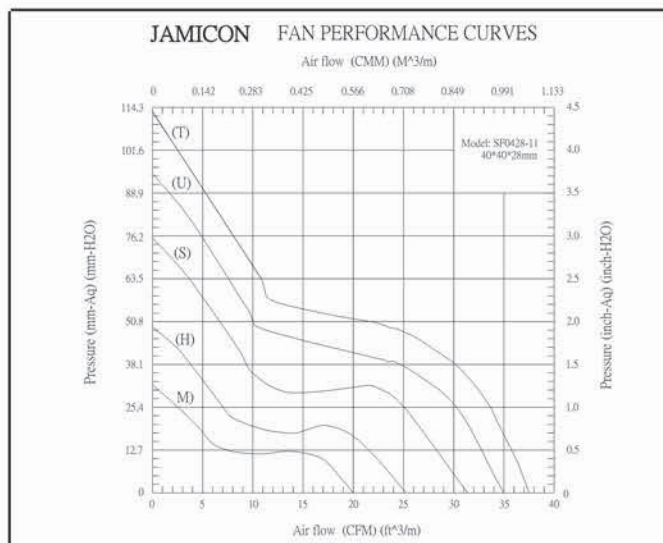
- **Frame** : Plastic Material UL 94V-0
- **Impeller** : Plastic Material UL 94V-0
- **Speed Range** : ±10%

SPECIFICATIONS

Model	Bearing	Rated Voltage (V)	Operating Voltage (V)	Air Flow (CFM)	Static Pressure (inchH ₂ O)	Speed (R.P.M.)	Input Current (Amp)	Input Power (Watt)	Nominal Current (Amp)	Noise (dBA)	Weight (g)
SF0428B1TR	B	12	10.2 ~ 13.2	37.50	4.445	27000	2.45	29.4	2.70	67	52
SF0428B1UR				34.66	3.730	25000	1.58	18.96	1.80	65	
SF0428B1SR			10.2 ~ 13.8	31.24	2.980	22000	1.22	14.64	1.50	62	
SF0428B1HR				25.12	1.930	18000	0.64	7.68	0.80	57.5	
SF0428B1MR				19.82	1.260	15000	0.44	5.28	0.60	53.5	

Specifications subject to change without notice

The 7TH character of Model No means the bearing code. Please refer to the page "PART NUMBER SYSTEM". Please contact us for detail if your request bearing system is not shown in the above list.



DC AXIAL FAN

JAMICON®

40X40X28 mm

KF0428-12 Series



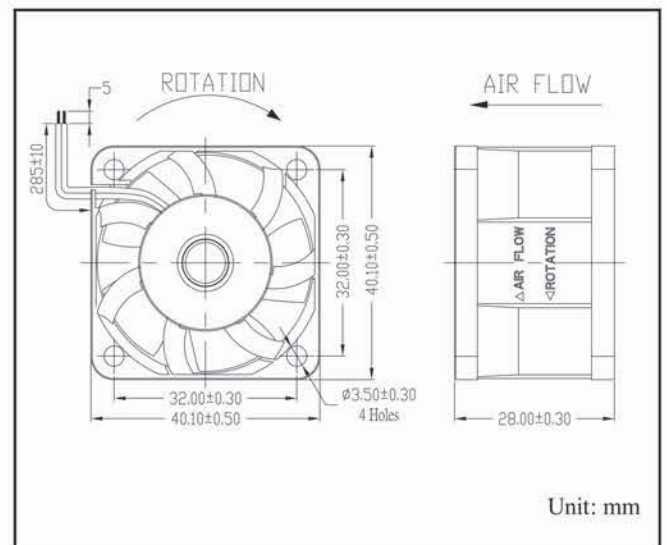
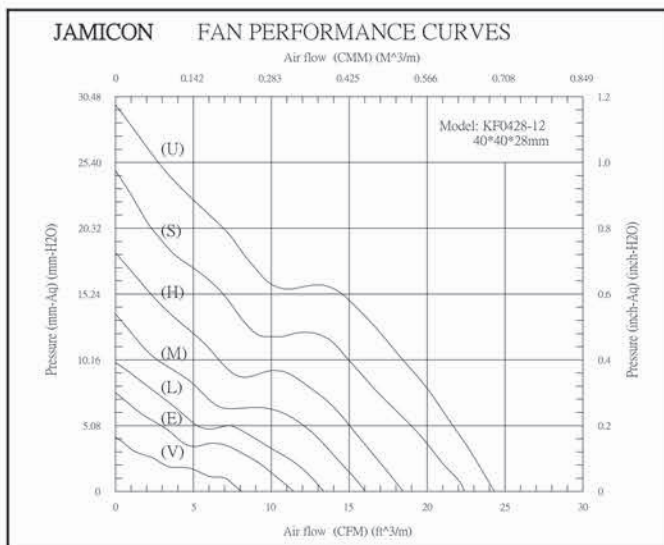
- **Frame** : Plastic Material UL 94V-0
- **Impeller** : Plastic Material UL 94V-0
- **Speed Range** : ±10%

SPECIFICATIONS

Model	Bearing	Rated Voltage (V)	Operating Voltage (V)	Air Flow (CFM)	Static Pressure (inchH ₂ O)	Speed (R.P.M.)	Input Current (Amp)	Input Power (Watt)	Nominal Current (Amp)	Noise (dBA)	Weight (g)
KF0428B1UR	B	12	10.2~13.8	24.34	1.177	14000	0.64	7.68	0.71	54.10	40
KF0428B1SR				22.43	0.980	13000	0.51	6.12	0.61	52.30	
KF0428B1HR				18.55	0.728	11000	0.29	3.48	0.35	46.90	
KF0428B1MR				16.07	0.543	9500	0.20	2.40	0.24	43.70	
KF0428B1LR				13.39	0.395	8000	0.16	1.92	0.19	40.90	
KF0428B1ER				11.49	0.304	7000	0.12	1.44	0.14	34.80	
KF0428B1VR				8.16	0.168	5000	0.06	0.72	0.07	24.90	
KF0428B2LR	B	24	20.4~27.6	13.39	0.395	8000	0.11	2.64	0.13	40.90	
KF0428B2ER				11.49	0.304	7000	0.09	2.16	0.11	34.80	
KF0428B2VR				8.16	0.168	5000	0.05	1.20	0.06	24.90	

Specifications subject to change without notice

The 7TH character of Model No means the bearing code. Please refer to the page "PART NUMBER SYSTEM". Please contact us for detail if your request bearing system is not shown in the above list.



DC AXIAL FAN

JAMICON®

40X40X28 mm

KF0428-11 Series



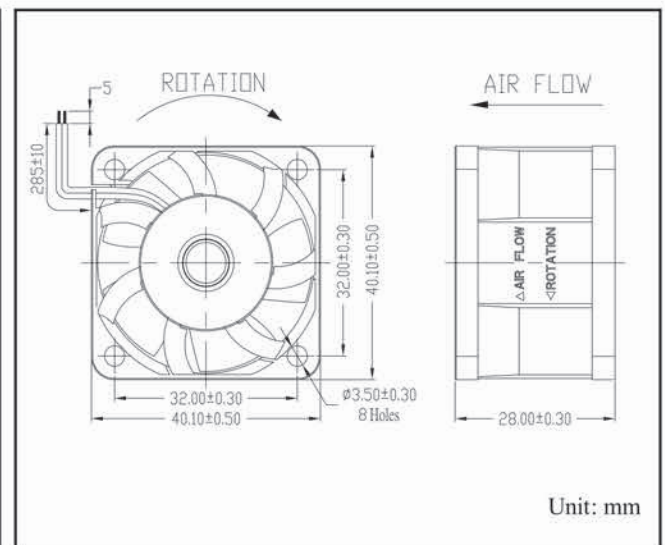
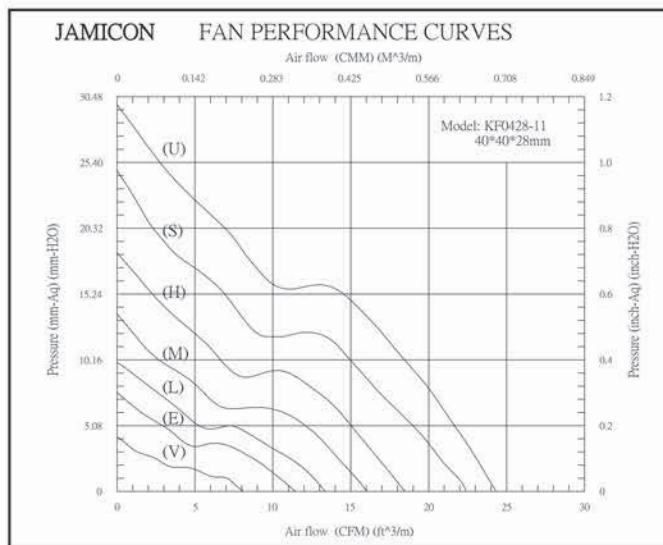
- **Frame** : Plastic Material UL 94V-0
- **Impeller** : Plastic Material UL 94V-0
- **Speed Range** : ±10%

SPECIFICATIONS

Model	Bearing	Rated Voltage (V)	Operating Voltage (V)	Air Flow (CFM)	Static Pressure (inchH ₂ O)	Speed (R.P.M.)	Input Current (Amp)	Input Power (Watt)	Nominal Current (Amp)	Noise (dBA)	Weight (g)
KF0428B1UR	B	12	10.2~13.8	24.34	1.177	14000	0.64	7.68	0.71	54.10	40
KF0428B1SR				22.43	0.980	13000	0.51	6.12	0.61	52.30	
KF0428B1HR				18.55	0.728	11000	0.29	3.48	0.35	46.90	
KF0428B1MR				16.07	0.543	9500	0.20	2.40	0.24	43.70	
KF0428B1LR				13.39	0.395	8000	0.16	1.92	0.19	40.90	
KF0428B1ER				11.49	0.304	7000	0.12	1.44	0.14	34.80	
KF0428B1VR				8.16	0.168	5000	0.06	0.72	0.07	24.90	
KF0428B2LR	B	24	20.4~27.6	13.39	0.395	8000	0.11	2.64	0.13	40.90	
KF0428B2ER				11.49	0.304	7000	0.09	2.16	0.11	34.80	
KF0428B2VR				8.16	0.168	5000	0.05	1.20	0.06	24.90	

Specifications subject to change without notice

The 7TH character of Model No means the bearing code. Please refer to the page "PART NUMBER SYSTEM". Please contact us for detail if your request bearing system is not shown in the above list.



DC AXIAL FAN

JAMICON®

50X50X10 mm

KF0510-01 Series



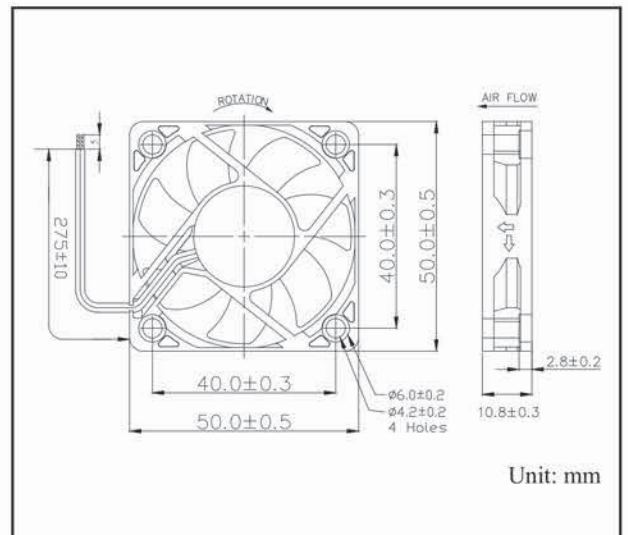
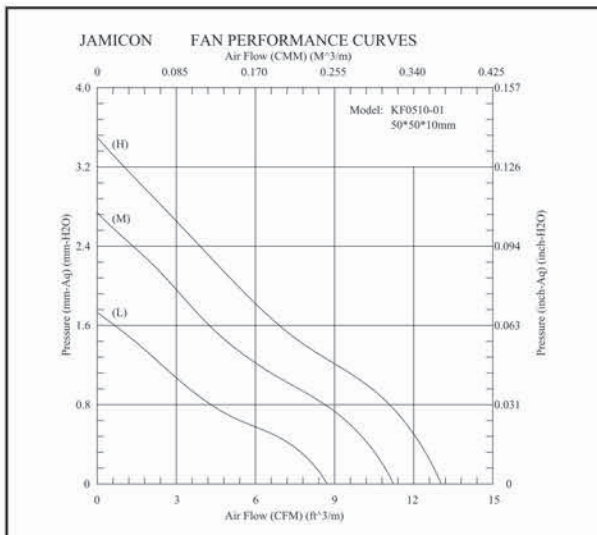
- **Frame** : Plastic Material UL 94V-0
- **Impeller** : Plastic Material UL 94V-0
- **Speed Range** : ±10%

SPECIFICATIONS

Model	Bearing	Rated Voltage (V)	Operating Voltage (V)	Air Flow (CFM)	Static Pressure (inchH ₂ O)	Speed (R.P.M.)	Input Current (Amp)	Input Power (Watt)	Nominal Power (Watt)	Noise (dBA)	Weight (g)
KF0510B5H	B	5	4.25~5.75	13.04	0.138	5200	0.22	1.10	1.1	29.0	17
KF0510B5M				11.23	0.108	4500	0.14	0.70	0.9	26.2	
KF0510B5L				8.72	0.068	3500	0.09	0.45	0.6	21.2	
KF0510S5H	S			13.04	0.138	5200	0.23	1.15	1.1	29.0	
KF0510S5M				11.23	0.108	4500	0.15	0.75	1.1	26.2	
KF0510S5L				8.72	0.068	3500	0.10	0.50	0.7	21.2	
KF0510B1H-AH	B	12	10.2~13.8	14.70	0.150	6000	0.11	1.32	1.6	32.2	
KF0510B1H				13.04	0.138	5200	0.11	1.32	1.6	29.0	
KF0510B1M				11.23	0.108	4500	0.066	0.80	0.8	26.2	
KF0510B1L				8.72	0.068	3500	0.05	0.60	0.7	21.2	
KF0510S1H	S			13.04	0.138	5200	0.12	1.44	1.9	29.0	
KF0510S1M				11.23	0.108	4500	0.083	1.0	1.0	26.2	
KF0510S1L		8.72	0.068	3500	0.06	0.72	0.8	21.2			
KF0510B2H-AH	B	24	20.4~27.6	14.70	0.150	6000	0.06	1.44	1.7	32.2	
KF0510B2H				13.04	0.138	5200	0.06	1.44	1.7	29.0	
KF0510B2M				11.23	0.108	4500	0.05	1.20	1.5	26.2	
KF0510B2L				8.72	0.068	3500	0.04	0.96	1.3	21.2	
KF0510S2H				S	13.04	0.138	5200	0.06	1.44	1.7	
KF0510S2M					11.23	0.108	4500	0.05	1.20	1.5	26.2
KF0510S2L	8.72	0.068	3500		0.04	0.96	1.3	21.2			

Specifications subject to change without notice

The 7TH character of Model No means the bearing code. Please refer to the page "PART NUMBER SYSTEM". Please contact us for detail if your request bearing system is not shown in the above list.



DC AXIAL FAN

JAMICON®

50X50X15 mm

JF0515-01 Series



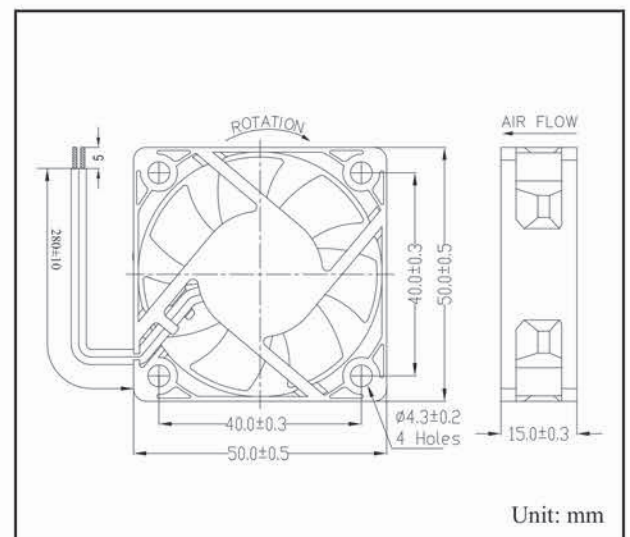
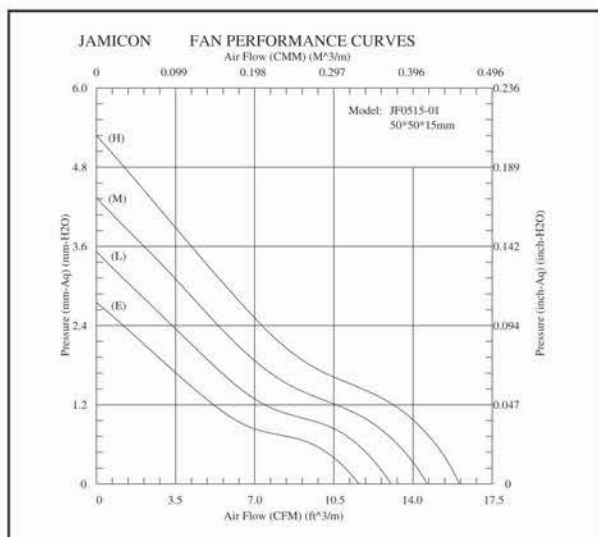
- **Frame** : Plastic Material UL 94V-0
- **Impeller** : Plastic Material UL 94V-0
- **Speed Range** : ±10%

SPECIFICATIONS

Model	Bearing	Rated Voltage (V)	Operating Voltage (V)	Air Flow (CFM)	Static Pressure (inchH ₂ O)	Speed (R.P.M.)	Input Current (Amp)	Input Power (Watt)	Nominal Current (Amp)	Noise (dBA)	Weight (g)
JF0515-1HAR	B	12	10.2 ~ 13.8	21.91	0.380	7500	0.20	2.40	0.24	51.2	27
JF0515-1H	B, H, S			16.05	0.208	5500	0.14	1.68	0.24	35.6	
JF0515-1M				14.63	0.171	5000	0.12	1.44	0.22	31.7	
JF0515-1L				13.03	0.139	4500	0.10	1.20	0.16	28.6	
JF0515-1E				11.60	0.108	4000	0.08	0.96	0.12	25.0	
JF0515-2HAR	B	24	20.4 ~ 27.6	21.91	0.380	7500	0.13	3.12	0.13	51.2	
JF0515-2H	B, H, S			16.05	0.208	5500	0.10	2.40	0.13	35.6	
JF0515-2M				14.63	0.171	5000	0.08	1.92	0.12	31.7	
JF0515-2L				13.03	0.139	4500	0.06	1.44	0.11	28.6	
JF0515-2E				11.60	0.108	4000	0.04	0.96	0.08	25.0	

Specifications subject to change without notice

The 7TH character of Model No means the bearing code. Please refer to the page "PART NUMBER SYSTEM". Please contact us for detail if your request bearing system is not shown in the above list.



DC AXIAL FAN

JAMICON®

60X60X10 mm

KF0610-01 Series



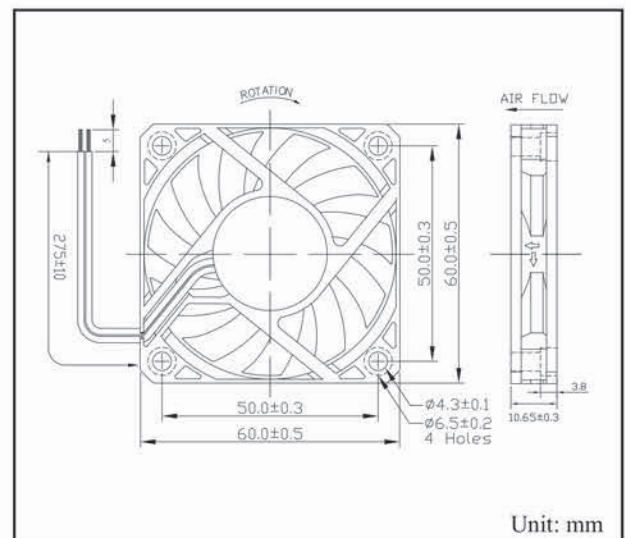
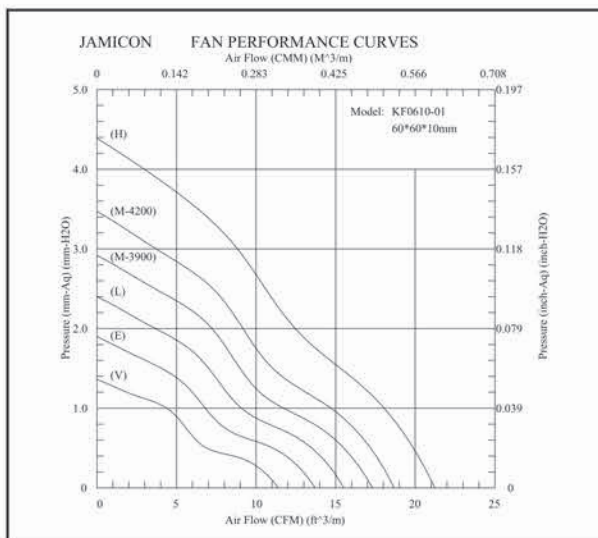
- Frame : Plastic Material UL 94V-0
- Impeller : Plastic Material UL 94V-0
- Speed Range : ±10%

SPECIFICATIONS

Model	Bearing	Rated Voltage (V)	Operating Voltage (V)	Air Flow (CFM)	Static Pressure (inchH ₂ O)	Speed (R.P.M.)	Input Current (Amp)	Input Power (Watt)	Nominal Power (Watt)	Noise (dBA)	Weight (g)
KF0610-5MR	B, H	5	4.25 ~ 5.75	17.32	0.115	3900	0.38	1.90	2.1	30.8	27
KF0610-5L				15.50	0.094	3500	0.24	1.20	1.3	27.2	
KF0610-5E				13.71	0.075	3100	0.18	0.90	1.0	24.1	
KF0610-5V				11.40	0.054	2600	0.13	0.65	0.8	21.0	
KF0610-HAR	B	12	10.2~13.8	23.33	0.202	5200	0.23	2.76	2.8	39.4	
KF0610-1H	B, H			21.23	0.173	4750	0.23	2.76	2.8	36.0	
KF0610-1M				18.67	0.137	4200	0.16	1.92	2.0	31.9	
KF0610-1L				15.50	0.094	3500	0.13	1.56	1.6	27.2	

Specifications subject to change without notice

The 7TH character of Model No means the bearing code. Please refer to the page "PART NUMBER SYSTEM". Please contact us for detail if your request bearing system is not shown in the above list.



DC AXIAL FAN

JAMICON®

60X60X15 mm

KF0615-01 Series



- **Frame** : Plastic Material UL 94V-0
- **Impeller** : Plastic Material UL 94V-0
- **Speed Range** : ±10%

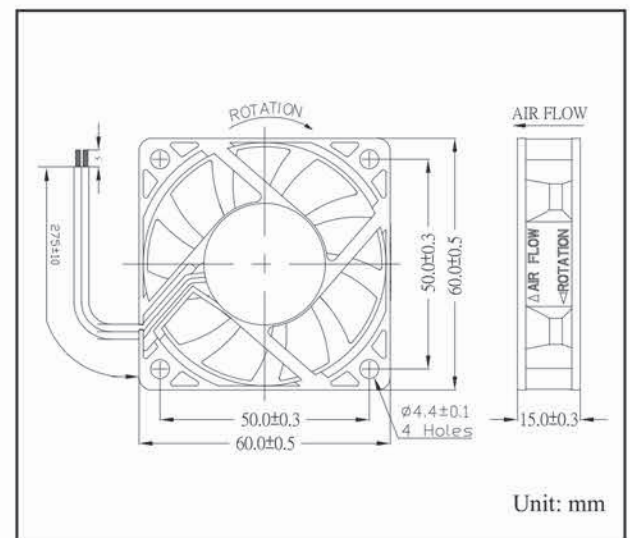
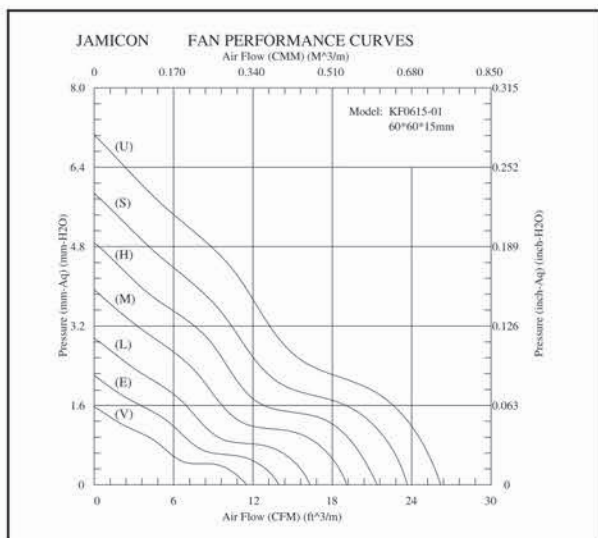
SPECIFICATIONS

Model	Bearing	Rated Voltage (V)	Operating Voltage (V)	Air Flow (CFM)	Static Pressure (inchH ₂ O)	Speed (R.P.M.)	Input Current (Amp)	Input Power (Watt)	Nominal Power (Watt)	Noise (dBA)	Weight (g)
KF0615-5MR	B, H	5	4.25 ~ 5.75	19.10	0.155	4000	0.42	2.10	2.4	30.0	37
KF0615-5L	B, H, S			16.31	0.116	3500	0.23	1.15	1.3	26.8	
KF0615-5E	B, H, S			13.96	0.087	3000	0.16	0.80	0.9	23.0	
KF0615-5V	B, H, S			11.53	0.062	2500	0.10	0.50	0.6	20.1	
KF0615-1UR	B, H	12	10.2 ~ 13.8	26.20	0.278	5500	0.24	2.88	3.1	38.5	
KF0615-1S				23.67	0.231	5000	0.20	2.40	2.5	36.5	
KF0615-1H	B, H, S			21.40	0.192	4500	0.19	2.28	2.3	33.1	
KF0615-1M	B, H, S			19.10	0.155	4000	0.15	1.80	1.9	30.0	
KF0615-1L	B, H, S	16.31	0.116	3500	0.10	1.20	1.3	26.8			
KF0615-1E	B, H, S	13.96	0.087	3000	0.08	0.96	1.0	23.0			
KF0615-1V	B, H, S	11.53	0.062	2500	0.06	0.72	0.8	20.1			
KF0615-2UR	B, H	24	20.4 ~ 27.6	26.20	0.278	5500	0.18	4.32	4.6	38.5	
KF0615-2S				23.67	0.231	5000	0.15	3.60	3.7	36.5	
KF0615-2H	B, H, S			21.40	0.192	4500	0.12	2.88	3.0	33.1	
KF0615-2M	B, H, S			19.10	0.155	4000	0.09	2.16	2.3	30.0	
KF0615-2L	B, H, S	16.31	0.116	3500	0.07	1.68	1.7	26.8			
KF0615-2E	B, H, S	13.96	0.087	3000	0.05	1.20	1.4	23.0			
KF0615-2V	B, H, S	11.53	0.062	2500	0.04	0.96	1.2	20.1			

Specifications subject to change without notice

The 7TH character of Model No means the bearing code. Please refer to the page "PART NUMBER SYSTEM".

Please contact us for detail if your request bearing system is not shown in the above list.



DC AXIAL FAN

JAMICON®

60X60X15 mm

KF0615-02 Series



- **Frame** : Plastic Material UL 94V-0
- **Impeller** : Plastic Material UL 94V-0
- **Speed Range** : ±10%

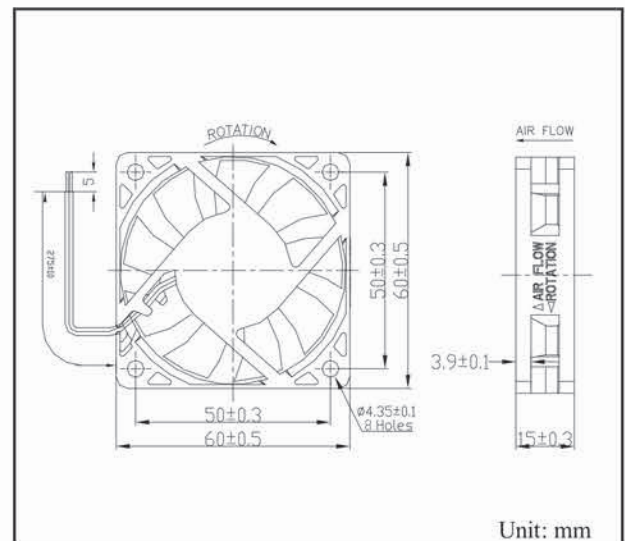
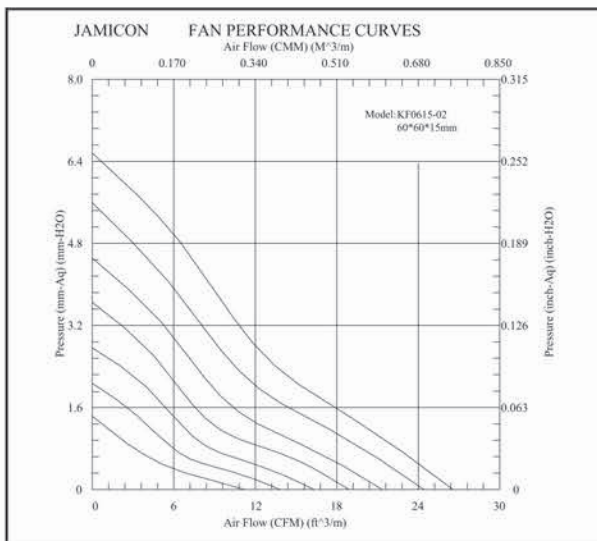
SPECIFICATIONS

Model	Bearing	Rated Voltage (V)	Operating Voltage (V)	Air Flow (CFM)	Static Pressure (inchH ₂ O)	Speed (R.P.M.)	Input Current (Amp)	Input Power (Watt)	Nominal Power (Watt)	Noise (dBA)	Weight (g)
KF0615-5MR	B, H	5	4.25~5.75	18.78	0.14	4000	0.42	2.10	2.4	30.0	36
KF0615-5L	B, H, S			16.33	0.11	3500	0.23	1.15	1.3	26.9	
KF0615-5E	B, H, S			13.83	0.08	3000	0.16	0.80	0.9	22.8	
KF0615-5V	B, H, S			11.21	0.06	2500	0.10	0.50	0.6	21.5	
KF0615-1UR	B, H	12	10.2~13.8	26.54	0.26	5500	0.24	2.88	3.1	39.7	
KF0615-1S				24.40	0.22	5000	0.20	2.40	2.5	35.7	
KF0615-1H	B, H, S			21.35	0.18	4500	0.19	2.28	2.3	33.1	
KF0615-1M	B, H, S			18.78	0.14	4000	0.15	1.80	1.9	30.0	
KF0615-1L	B, H, S	16.33	0.11	3500	0.10	1.20	1.3	26.9			
KF0615-1E	B, H, S	13.83	0.08	3000	0.08	0.96	1.0	22.8			
KF0615-1V	B, H, S	11.21	0.06	2500	0.06	0.72	0.8	21.5			
KF0615-2UR	B, H	24	20.4~27.6	26.54	0.26	5500	0.18	4.32	4.6	39.7	
KF0615-2S				24.40	0.22	5000	0.15	3.60	3.7	35.7	
KF0615-2H	B, H, S			21.35	0.18	4500	0.12	2.88	3.0	33.1	
KF0615-2M	B, H, S			18.78	0.14	4000	0.09	2.16	2.3	30.0	
KF0615-2L	B, H, S	16.33	0.11	3500	0.07	1.68	1.7	26.9			
KF0615-2E	B, H, S	13.83	0.08	3000	0.05	1.20	1.4	22.8			
KF0615-2V	B, H, S	11.21	0.06	2500	0.04	0.96	1.2	21.5			

Specifications subject to change without notice

The 7TH character of Model No means the bearing code. Please refer to the page "PART NUMBER SYSTEM".

Please contact us for detail if your request bearing system is not shown in the above list.



DC AXIAL FAN

JAMICON®

60X60X15 mm

KF0615-03 Series



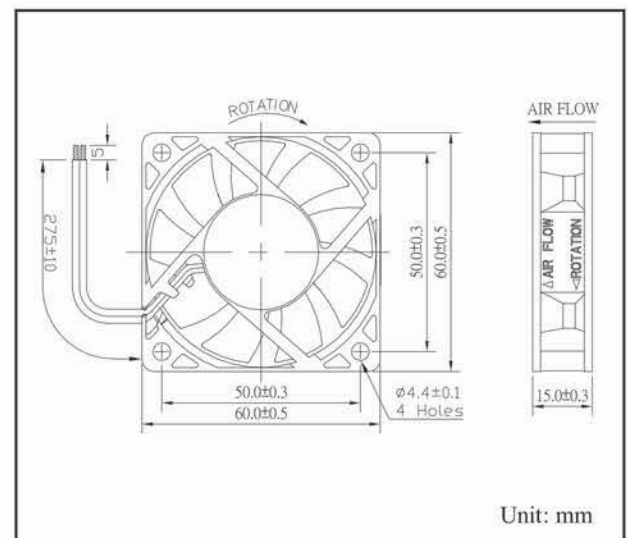
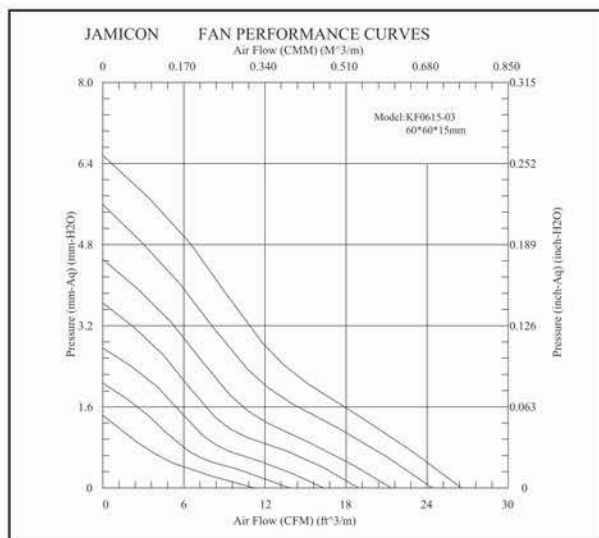
- **Frame** : Plastic Material UL 94V-0
- **Impeller** : Plastic Material UL 94V-0
- **Speed Range** : ±10%

SPECIFICATIONS

Model	Bearing	Rated Voltage (V)	Operating Voltage (V)	Air Flow (CFM)	Static Pressure (inchH ₂ O)	Speed (R.P.M.)	Input Current (Amp)	Input Power (Watt)	Nominal Power (Watt)	Noise (dBA)	Weight (g)
KF0615-5MR	B, H	5	4.25~5.75	18.78	0.14	4000	0.42	2.10	2.4	30.0	37
KF0615-5L	B, H, S			16.33	0.11	3500	0.23	1.15	1.3	26.9	
KF0615-5E	B, H, S			13.83	0.08	3000	0.16	0.80	0.9	22.8	
KF0615-5V	B, H, S			11.21	0.06	2500	0.10	0.50	0.6	21.5	
KF0615-1UR	B, H	12	10.2~13.8	26.54	0.26	5500	0.24	2.88	3.1	39.7	
KF0615-1S				24.40	0.22	5000	0.20	2.40	2.5	35.7	
KF0615-1H	B, H, S			21.35	0.18	4500	0.19	2.28	2.3	33.1	
KF0615-1M	B, H, S			18.78	0.14	4000	0.15	1.80	1.9	30.0	
KF0615-1L	B, H, S	16.33	0.11	3500	0.10	1.20	1.3	26.9			
KF0615-1E	B, H, S	13.83	0.08	3000	0.08	0.96	1.0	22.8			
KF0615-1V	B, H, S	11.21	0.06	2500	0.06	0.72	0.8	21.5			
KF0615-2UR	B, H	24	20.4~27.6	26.54	0.26	5500	0.18	4.32	4.6	39.7	
KF0615-2S				24.40	0.22	5000	0.15	3.60	3.7	35.7	
KF0615-2H	B, H, S			21.35	0.18	4500	0.12	2.88	3.0	33.1	
KF0615-2M	B, H, S			18.78	0.14	4000	0.09	2.16	2.3	30.0	
KF0615-2L	B, H, S	16.33	0.11	3500	0.07	1.68	1.7	26.9			
KF0615-2E	B, H, S	13.83	0.08	3000	0.05	1.20	1.4	22.8			
KF0615-2V	B, H, S	11.21	0.06	2500	0.04	0.96	1.2	21.5			

Specifications subject to change without notice

The 7TH character of Model No means the bearing code. Please refer to the page "PART NUMBER SYSTEM". Please contact us for detail if your request bearing system is not shown in the above list.



DC AXIAL FAN

JAMICON®

60X60X15 mm

JF0615-00 Series



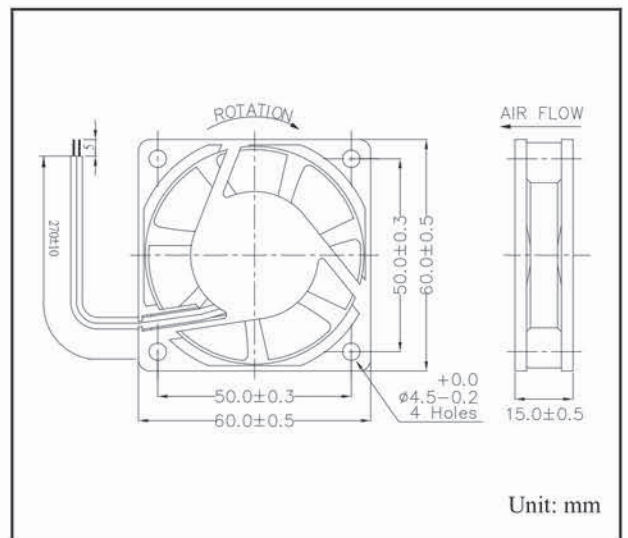
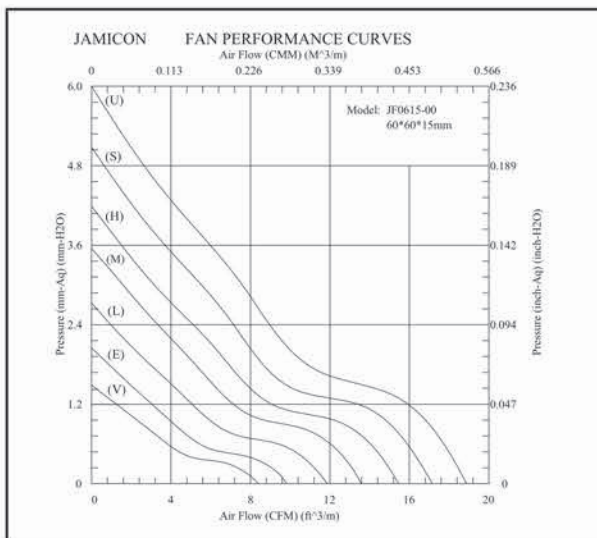
- **Frame** : Plastic Material UL 94V-0
- **Impeller** : Plastic Material UL 94V-0
- **Speed Range** : ±10%

SPECIFICATIONS

Model	Bearing	Rated Voltage (V)	Operating Voltage (V)	Air Flow (CFM)	Static Pressure (inchH ₂ O)	Speed (R.P.M.)	Input Current (Amp)	Input Power (Watt)	Nominal Current (Amp)	Noise (dBA)	Weight (g)
JF0615-5HR	B, S	5	4.25 ~ 5.75	15.45	0.165	4500	0.25	1.25	0.26	30.5	45
JF0615-5MR	B, S			13.58	0.140	4000	0.20	1.00	0.21	28.8	
JF0615-5L	B, S			11.86	0.107	3500	0.17	0.85	0.17	25.4	
JF0615-5E	B, S			9.82	0.081	3000	0.14	0.70	0.14	21.2	
JF0615-5V	B, S			8.39	0.059	2500	0.11	0.55	0.11	17.9	
JF0615B1UR	B	12	10.2 ~ 13.8	18.87	0.220	5500	0.15	1.80	0.16	37.5	
JF0615B1S	B			17.16	0.200	5000	0.14	1.68	0.15	33.7	
JF0615-1H	B, S			15.45	0.165	4500	0.13	1.56	0.17	30.5	
JF0615-1M	B, S			13.58	0.140	4000	0.12	1.44	0.15	28.8	
JF0615-1L	B, S			11.86	0.107	3500	0.10	1.20	0.12	25.4	
JF0615-1E	B, S	24	20.4 ~ 27.6	9.82	0.081	3000	0.08	0.96	0.09	21.2	
JF0615-1V	B, S			8.39	0.059	2500	0.07	0.84	0.07	17.9	
JF0615B2UR	B			18.87	0.220	5500	0.11	2.64	0.12	37.5	
JF0615B2S	B			17.16	0.200	5000	0.10	2.40	0.11	33.7	
JF0615-2H	B, S			15.45	0.165	4500	0.13	3.12	0.13	30.5	
JF0615-2M	B, S	13.58	0.140	4000	0.11	2.64	0.11	28.8			
JF0615-2L	B, S	11.86	0.107	3500	0.09	2.16	0.09	25.4			
JF0615-2E	B, S	9.82	0.081	3000	0.06	1.44	0.06	21.2			
JF0615-2V	B, S	8.39	0.059	2500	0.04	0.96	0.04	17.9			

Specifications subject to change without notice

The 7TH character of Model No means the bearing code. Please refer to the page "PART NUMBER SYSTEM".
Please contact us for detail if your request bearing system is not shown in the above list.



DC AXIAL FAN

JAMICON®

60X60X20 mm

KF0620-01 Series



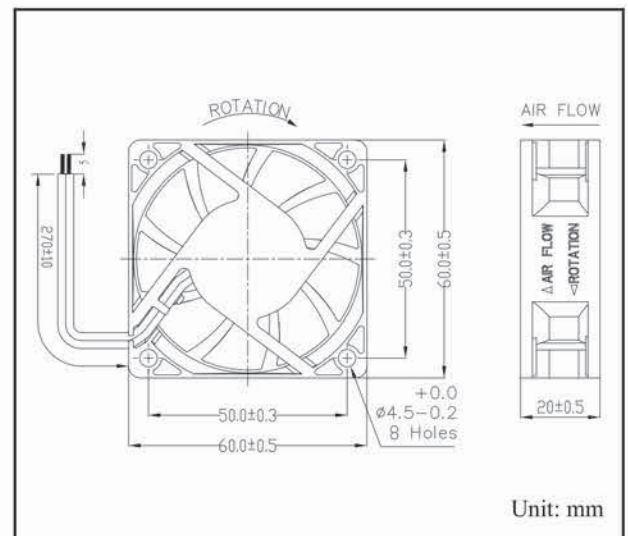
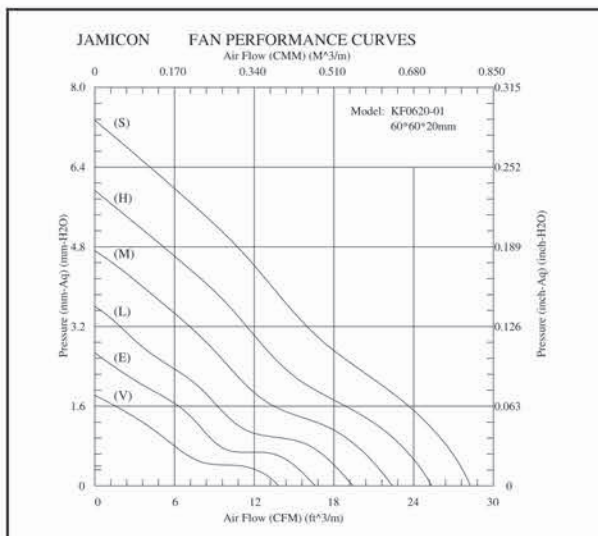
- **Frame** : Plastic Material UL 94V-0
- **Impeller** : Plastic Material UL 94V-0
- **Speed Range** : ±10%

SPECIFICATIONS

Model	Bearing	Rated Voltage (V)	Operating Voltage (V)	Air Flow (CFM)	Static Pressure (inchH ₂ O)	Speed (R.P.M.)	Input Current (Amp)	Input Power (Watt)	Nominal Power (Watt)	Noise (dBA)	Weight (g)
KF0620-1SRAO	B	12	10.2 ~ 13.8	37.00	0.457	6500	0.38	4.56	4.8	48.2	43
KF0620-1SR	B, H			28.27	0.289	5000	0.38	4.56	4.8	39.2	
KF0620-1HR	B, H, S			25.36	0.233	4500	0.25	3.00	3.2	36.2	
KF0620-1M	B, H, S			22.40	0.186	4000	0.20	2.40	2.5	32.4	
KF0620-1L	B, H, S			19.45	0.142	3500	0.14	1.68	1.7	27.8	
KF0620-1E	B, H, S			16.66	0.105	3000	0.10	1.20	1.3	25.2	
KF0620-1V	B, H, S			13.82	0.072	2500	0.07	0.84	0.9	20.7	
KF0620-2SR	B, H	24	20.4 ~ 27.6	28.27	0.289	5000	0.21	5.04	5.1	39.2	
KF0620-2H	B, H, S			25.36	0.233	4500	0.14	3.36	3.5	36.2	
KF0620-2M	B, H, S			22.40	0.186	4000	0.12	2.88	3.1	32.4	
KF0620-2L	B, H, S			19.45	0.142	3500	0.10	2.40	2.5	27.8	
KF0620-2E	B, H, S			16.66	0.105	3000	0.07	1.68	1.7	25.2	
KF0620-2V	B, H, S			13.82	0.072	2500	0.04	0.96	1.2	20.7	

Specifications subject to change without notice

The 7TH character of Model No means the bearing code. Please refer to the page "PART NUMBER SYSTEM". Please contact us for detail if your request bearing system is not shown in the above list.



DC AXIAL FAN

JAMICON®

60X60X20 mm

JF0620-00 Series



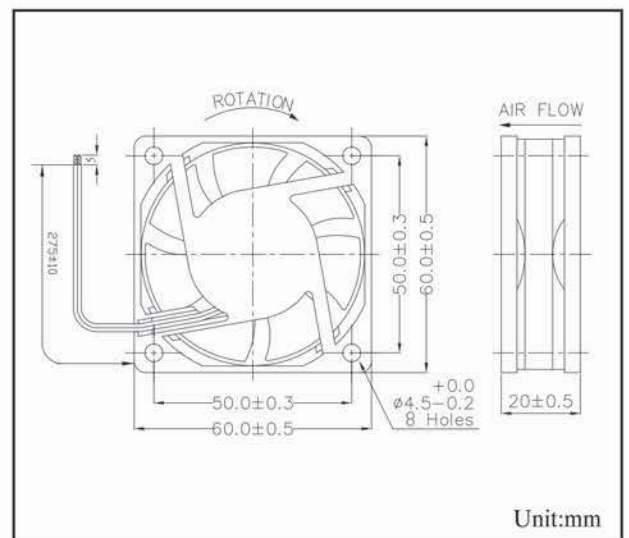
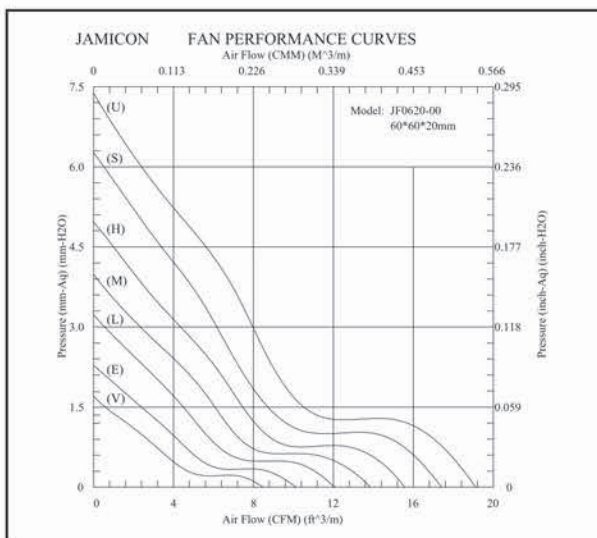
- **Frame** : Plastic Material UL 94V-0
- **Impeller** : Plastic Material UL 94V-0
- **Speed Range** : ±10%

SPECIFICATIONS

Model	Bearing	Rated Voltage (V)	Operating Voltage (V)	Air Flow (CFM)	Static Pressure (inchH ₂ O)	Speed (R.P.M.)	Input Current (Amp)	Input Power (Watt)	Nominal Current (Amp)	Noise (dBA)	Weight (g)
JF0620B1UR	B	12	10.2 ~ 13.8	19.11	0.291	5500	0.19	2.28	0.20	35.9	50
JF0620-1SR	B, S			17.41	0.247	5000	0.17	2.04	0.18	32.8	
JF0620-1H	B, S			15.56	0.196	4500	0.15	1.80	0.17	29.4	
JF0620-1M	B, S			13.84	0.157	4000	0.13	1.56	0.15	26.4	
JF0620-1L	B, S			12.06	0.127	3500	0.10	1.20	0.13	23.6	
JF0620-1E	B, S			10.13	0.090	3000	0.09	1.08	0.09	20.3	
JF0620-1V	B, S			8.48	0.068	2500	0.07	0.84	0.07	17.1	
JF0620B2UR	B	24	20.4 ~ 27.6	19.11	0.291	5500	0.12	2.88	0.13	35.9	
JF0620-2S	B, S			17.41	0.247	5000	0.10	2.40	0.11	32.8	
JF0620-2H	B, S			15.56	0.196	4500	0.09	2.16	0.13	29.4	
JF0620-2M	B, S			13.84	0.157	4000	0.08	1.92	0.11	26.4	
JF0620-2L	B, S			12.06	0.127	3500	0.07	1.68	0.07	23.6	
JF0620-2E	B, S			10.13	0.090	3000	0.06	1.44	0.06	20.3	
JF0620-2V	B, S			8.48	0.068	2500	0.05	1.20	0.05	17.1	

Specifications subject to change without notice

The 7TH character of Model No means the bearing code. Please refer to the page "PART NUMBER SYSTEM". Please contact us for detail if your request bearing system is not shown in the above list.



DC AXIAL FAN

JAMICON®

60X60X25 mm

JF0625-00 Series



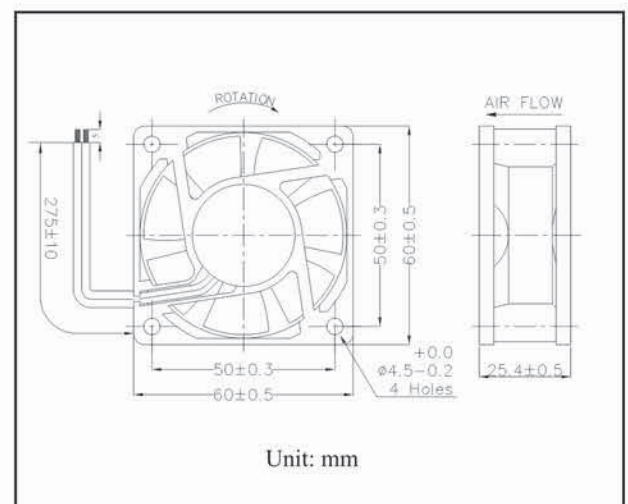
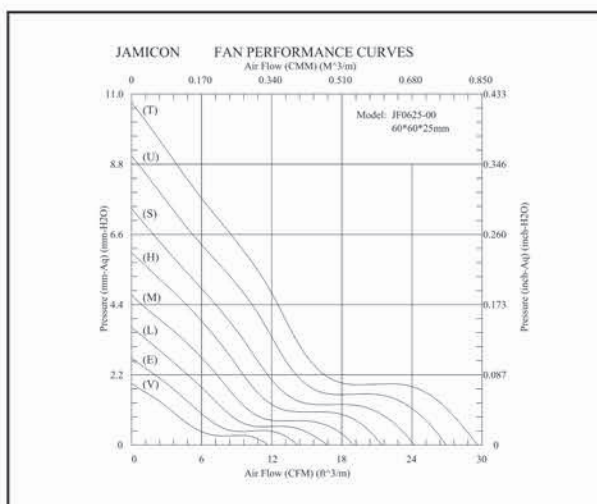
- **Frame** : Plastic Material UL 94V-0
- **Impeller** : Plastic Material UL 94V-0
- **Speed Range** : ±10%

SPECIFICATIONS

Model	Bearing	Rated Voltage (V)	Operating Voltage (V)	Air Flow (CFM)	Static Pressure (inchH ₂ O)	Speed (R.P.M.)	Input Current (Amp)	Input Power (Watt)	Nominal Current (Amp)	Noise (dBA)	Weight (g)
JF0625B1TRAL	B	12	10.2 ~ 13.8	36.24	0.578	7200	0.38	4.56	0.38	49.5	59
JF0625B1TR	B			29.69	0.422	6000	0.37	4.44	0.38	42.5	
JF0625B1UR	B,H			26.96	0.357	5500	0.29	3.48	0.30	39.6	
JF0625-1S	B,H, S			24.27	0.292	5000	0.22	2.64	0.22	37.2	
JF0625-1H	B,H, S			21.44	0.237	4500	0.20	2.40	0.23	34.1	
JF0625-1M	B,H, S			19.00	0.185	4000	0.16	1.92	0.20	31.3	
JF0625-1L	B,H, S			16.76	0.145	3500	0.13	1.56	0.17	27.3	
JF0625-1E	B,H, S			14.24	0.108	3000	0.11	1.32	0.11	22.4	
JF0625-1V	B,H, S			11.72	0.076	2500	0.08	0.96	0.08	20.2	
JF0625B2TRAJ	B	24	20.4 ~ 27.6	35.15	0.552	7000	0.21	5.04	0.21	48.3	
JF0625B2TR	B			29.69	0.422	6000	0.20	4.80	0.21	42.5	
JF0625B2UR	B,H			26.96	0.357	5500	0.16	3.84	0.16	39.6	
JF0625-2S	B,H			24.27	0.292	5000	0.13	3.12	0.14	37.2	
JF0625-2H	B,H, S			21.44	0.237	4500	0.12	2.88	0.17	34.1	
JF0625-2M	B,H, S			19.00	0.185	4000	0.11	2.64	0.13	31.3	
JF0625-2L	B,H, S			16.76	0.145	3500	0.10	2.40	0.12	27.3	
JF0625-2E	B,H, S			14.24	0.108	3000	0.07	1.68	0.07	22.4	
JF0625-2V	B,H, S			11.72	0.076	2500	0.06	1.44	0.06	20.2	
JF0625B4UR	B,H	48	40.8 ~ 55.2	26.96	0.357	5500	0.11	5.28	0.11	39.6	
JF0625B4SR	B,H			24.27	0.292	5000	0.09	4.32	0.09	37.2	
JF0625B4HR	B,H, S			21.44	0.237	4500	0.07	3.36	0.08	34.1	
JF0625B4MR	B,H, S			19.00	0.185	4000	0.06	2.88	0.07	31.3	
JF0625B4LR	B,H, S			16.76	0.145	3500	0.05	2.40	0.06	27.3	

Specifications subject to change without notice

The 7TH character of Model No means the bearing code. Please refer to the page "PART NUMBER SYSTEM". Please contact us for detail if your request bearing system is not shown in the above list.



DC AXIAL FAN

JAMICON®

60X60X25 mm

JF0625-01 Series



- **Frame** : Plastic Material UL 94V-0
- **Impeller** : Plastic Material UL 94V-0
- **Speed Range** : ±10%

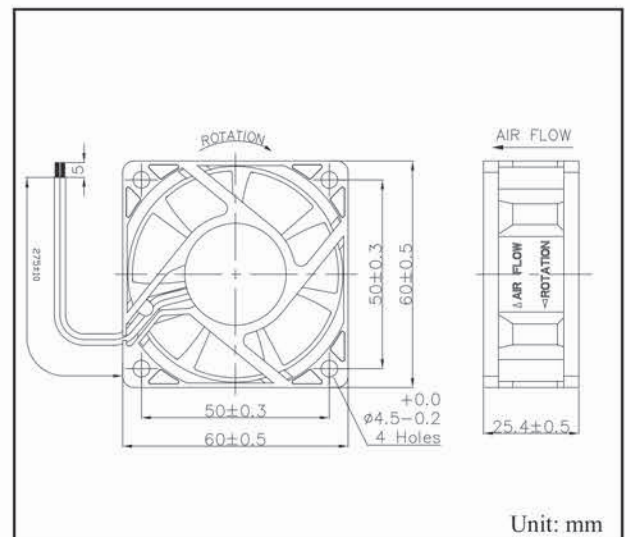
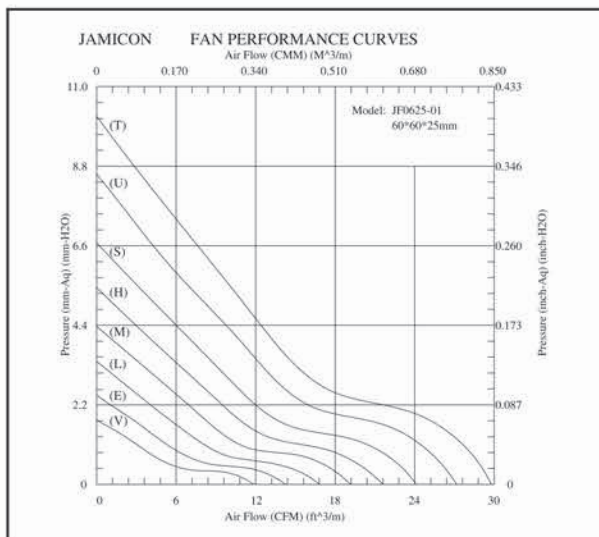
SPECIFICATIONS

Model	Bearing	Rated Voltage (V)	Operating Voltage (V)	Air Flow (CFM)	Static Pressure (inchH ₂ O)	Speed (R.P.M.)	Input Current (Amp)	Input Power (Watt)	Nominal Current (Amp)	Noise (dBA)	Weight (g)
JF0625B1TRAL	B	12	10.2 ~ 13.8	35.70	0.509	7200	0.38	4.56	0.38	46.9	59
JF0625B1TR	B			29.77	0.401	6000	0.37	4.44	0.38	42.1	
JF0625-1UR	B, H			27.17	0.338	5500	0.29	3.48	0.30	40.1	
JF0625-1S	B, H, S			24.12	0.263	5000	0.22	2.64	0.22	37.2	
JF0625-1H	B, H, S			21.56	0.215	4500	0.20	2.40	0.23	34.5	
JF0625-1M	B, H, S			19.15	0.172	4000	0.16	1.92	0.20	30.5	
JF0625-1L	B, H, S			16.78	0.134	3500	0.13	1.56	0.17	27.4	
JF0625-1E	B, H, S			14.26	0.097	3000	0.11	1.32	0.11	23.1	
JF0625-1V	B, H, S			11.84	0.070	2500	0.08	0.96	0.08	20.1	
JF0625B2TRAJ	B	24	20.4 ~ 27.6	34.71	0.491	7000	0.21	5.04	0.21	46.1	
JF0625B2TR	B			29.77	0.401	6000	0.20	4.80	0.21	42.1	
JF0625-2UR	B, H			27.17	0.338	5500	0.16	3.84	0.16	40.1	
JF0625-2S	B, H, S			24.12	0.263	5000	0.13	3.12	0.14	37.2	
JF0625-2H	B, H, S			21.56	0.215	4500	0.12	2.88	0.17	34.5	
JF0625-2M	B, H, S			19.15	0.172	4000	0.11	2.64	0.13	30.5	
JF0625-2L	B, H, S			16.78	0.134	3500	0.10	2.40	0.12	27.4	
JF0625-2E	B, H, S			14.26	0.097	3000	0.07	1.68	0.07	23.1	
JF0625-2V	B, H, S			11.84	0.070	2500	0.06	1.44	0.06	20.1	
JF0625B4UR	B, H	48	40.8 ~ 55.2	27.17	0.338	5500	0.11	5.28	0.11	40.1	
JF0625B4SR	B, H			24.12	0.263	5000	0.09	4.32	0.09	37.2	
JF0625B4HR	B, H, S			21.56	0.215	4500	0.07	3.36	0.08	34.5	
JF0625B4MR	B, H, S			19.15	0.172	4000	0.06	2.88	0.07	30.5	
JF0625B4LR	B, H, S			16.78	0.134	3500	0.05	2.40	0.06	27.4	

Specifications subject to change without notice

The 7TH character of Model No means the bearing code. Please refer to the page "PART NUMBER SYSTEM".

Please contact us for detail if your request bearing system is not shown in the above list.



DC AXIAL FAN

JAMICON®

60X60X25 mm

JF0625-02 Series



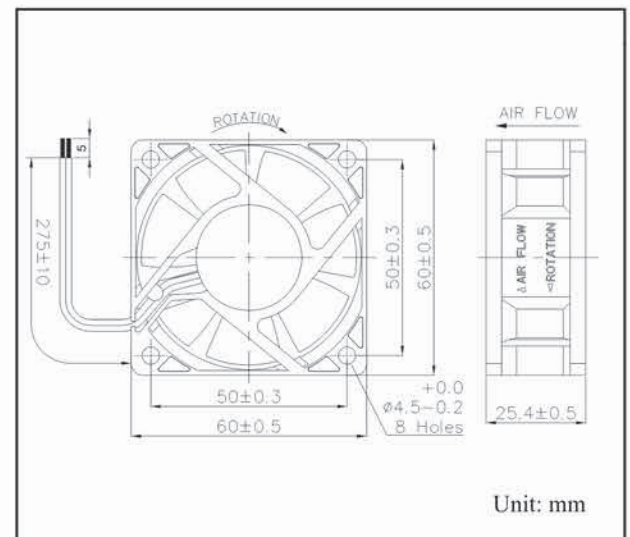
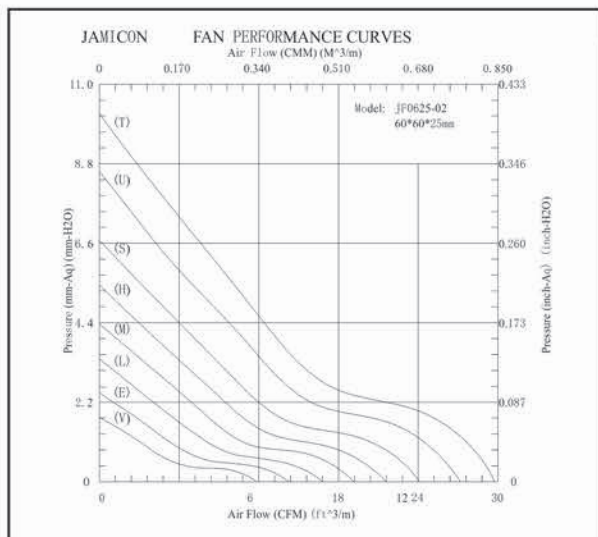
- **Frame** : Plastic Material UL 94V-0
- **Impeller** : Plastic Material UL 94V-0
- **Speed Range** : ±10%

SPECIFICATIONS

Model	Bearing	Rated Voltage (V)	Operating Voltage (V)	Air Flow (CFM)	Static Pressure (inchH ₂ O)	Speed (R.P.M.)	Input Current (Amp)	Input Power (Watt)	Nominal Current (Amp)	Noise (dBA)	Weight (g)
JF0625B1TRAL	B	12	10.2 ~ 13.8	35.70	0.509	7200	0.38	4.56	0.38	46.9	59
JF0625B1TR	B			29.77	0.401	6000	0.37	4.44	0.38	42.1	
JF0625-1UR	B, H			27.17	0.338	5500	0.29	3.48	0.30	40.1	
JF0625-1S	B, H, S			24.12	0.263	5000	0.22	2.64	0.22	37.2	
JF0625-1H	B, H, S			21.56	0.215	4500	0.20	2.40	0.23	34.5	
JF0625-1M	B, H, S			19.15	0.172	4000	0.16	1.92	0.20	30.5	
JF0625-1L	B, H, S			16.78	0.134	3500	0.13	1.56	0.17	27.4	
JF0625-1E	B, H, S			14.26	0.097	3000	0.11	1.32	0.11	23.1	
JF0625-1V	B, H, S			11.84	0.070	2500	0.08	0.96	0.08	20.1	
JF0625B2TRAJ	B	24	20.4 ~ 27.6	34.71	0.491	7000	0.21	5.04	0.21	46.1	
JF0625B2TR	B			29.77	0.401	6000	0.20	4.80	0.21	42.1	
JF0625-2UR	B, H			27.17	0.338	5500	0.16	3.84	0.16	40.1	
JF0625-2S	B, H, S			24.12	0.263	5000	0.13	3.12	0.14	37.2	
JF0625-2H	B, H, S			21.56	0.215	4500	0.12	2.88	0.17	34.5	
JF0625-2M	B, H, S			19.15	0.172	4000	0.11	2.64	0.13	30.5	
JF0625-2L	B, H, S			16.78	0.134	3500	0.10	2.40	0.12	27.4	
JF0625-2E	B, H, S			14.26	0.097	3000	0.07	1.68	0.07	23.1	
JF0625-2V	B, H, S			11.84	0.070	2500	0.06	1.44	0.06	20.1	
JF0625B4UR	B, H	48	40.8 ~ 55.2	27.17	0.338	5500	0.11	5.28	0.11	40.1	
JF0625B4SR	B, H			24.12	0.263	5000	0.09	4.32	0.09	37.2	
JF0625B4HR	B, H, S			21.56	0.215	4500	0.07	3.36	0.08	34.5	
JF0625B4MR	B, H, S			19.15	0.172	4000	0.06	2.88	0.07	30.5	
JF0625B4LR	B, H, S			16.78	0.134	3500	0.05	2.40	0.06	27.4	

Specifications subject to change without notice

The 7TH character of Model No means the bearing code. Please refer to the page "PART NUMBER SYSTEM". Please contact us for detail if your request bearing system is not shown in the above list.



DC AXIAL FAN

JAMICON®

60X60X38 mm

JF0638-11 Series



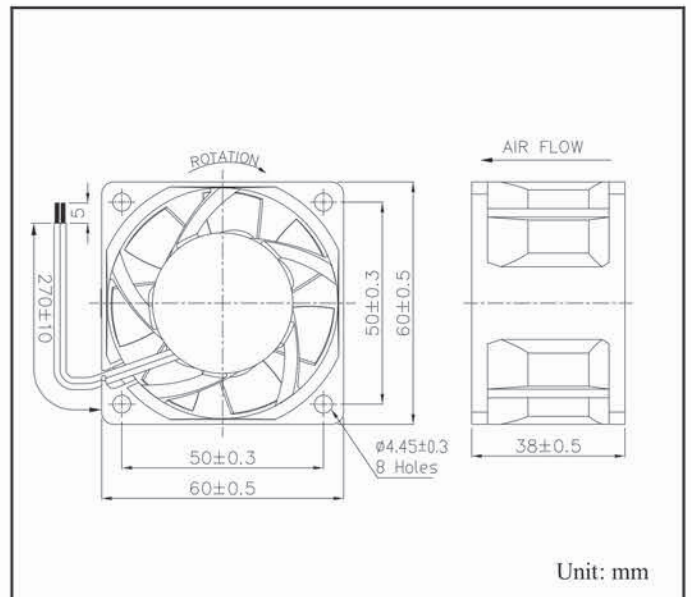
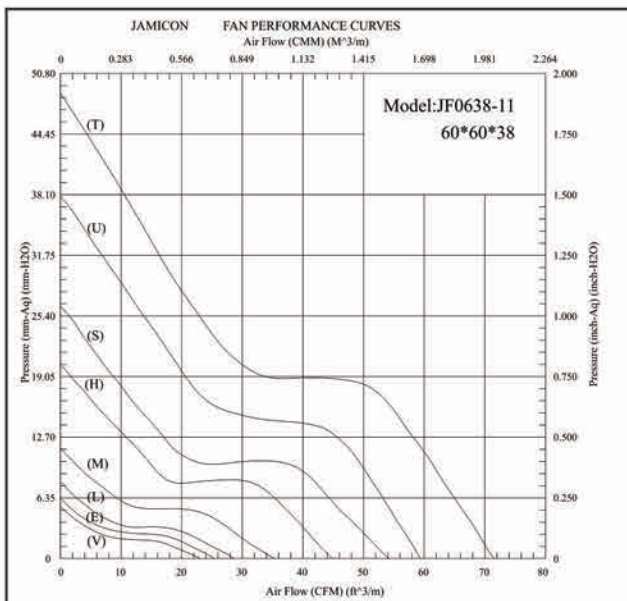
- **Frame** : Plastic Material UL 94V-0
- **Impeller** : Plastic Material UL 94V-0
- **Speed Range** : ±10%

SPECIFICATIONS

Model	Bearing	Rated Voltage (V)	Operating Voltage (V)	Air Flow (CFM)	Static Pressure (inchH ₂ O)	Speed (R.P.M.)	Input Current (Amp)	Input Power (Watt)	Nominal Current (Amp)	Noise (dBA)	Weight (g)
JF0638B1TR	B	12	10.2 ~ 13.8	71.27	1.924	12000	1.46	17.52	1.61	64.3	113
JF0638B1UR				59.14	1.497	10500	0.92	11.04	1.01	59.5	
JF0638B1SR				53.92	1.049	9000	0.59	7.08	0.65	53.8	
JF0638B1HR				44.54	0.800	7500	0.40	4.80	0.44	49.2	
JF0638B1MR				35.53	0.452	6000	0.23	2.76	0.25	44.4	
JF0638B1LR				28.89	0.310	5000	0.18	2.16	0.20	37.4	
JF0638B1ER				25.35	0.241	4500	0.13	1.56	0.14	35.4	
JF0638B1VR				23.10	0.203	4000	0.10	1.20	0.11	33.2	
JF0638B2TR	B	24	20.4 ~ 27.6	71.27	1.924	12000	0.77	18.48	0.85	64.3	
JF0638B2UR				59.14	1.497	10500	0.48	11.52	0.53	59.5	
JF0638B2SR				53.92	1.049	9000	0.35	8.40	0.39	53.8	
JF0638B2HR				44.54	0.800	7500	0.19	4.56	0.21	49.2	
JF0638B2MR				35.53	0.452	6000	0.14	3.36	0.15	44.4	
JF0638B2LR				28.89	0.310	5000	0.12	2.88	0.13	37.4	
JF0638B2ER				25.35	0.241	4500	0.08	1.92	0.09	35.4	
JF0638B2VR				23.10	0.203	4000	0.07	1.68	0.08	33.2	

Specifications subject to change without notice

The 7TH character of Model No means the bearing code. Please refer to the page "PART NUMBER SYSTEM". Please contact us for detail if your request bearing system is not shown in the above list.



DC AXIAL FAN

JAMICON®

70X70X15 mm

KF0715-01 Series



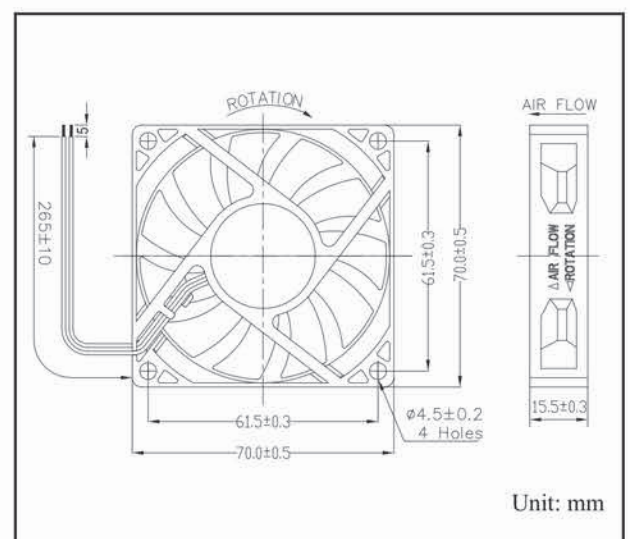
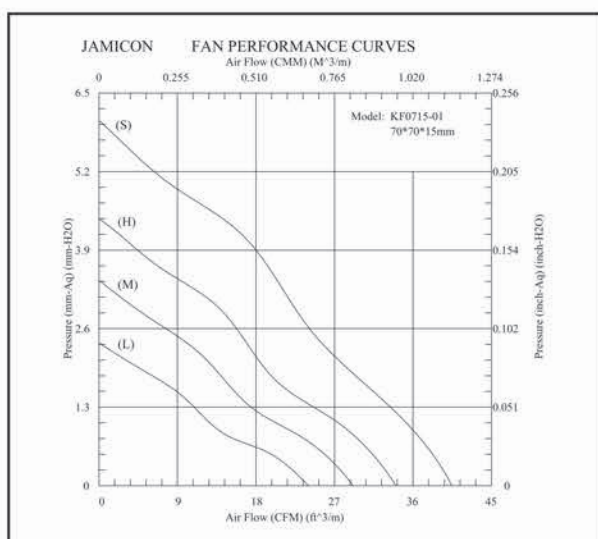
- **Frame** : Plastic Material UL 94V-0
- **Impeller** : Plastic Material UL 94V-0
- **Speed Range** : ±10%

SPECIFICATIONS

Model	Bearing	Rated Voltage (V)	Operating Voltage (V)	Air Flow (CFM)	Static Pressure (inchH ₂ O)	Speed (R.P.M.)	Input Current (Amp)	Input Power (Watt)	Nominal Current (Amp)	Noise (dBA)	Weight (g)
KF0715-1SR	B, H	12	10.2~13.8	40.45	0.238	5000	0.35	4.20	0.41	41.3	49
KF0715-1HR	B, H, S			34.05	0.174	4200	0.30	3.60	0.33	37.1	
KF0715-1M	B, H, S			29.16	0.134	3600	0.19	2.28	0.21	32.7	
KF0715-1L	B, H, S			24.00	0.093	3000	0.12	1.44	0.14	28.2	
KF0715-2SR	B	24	20.4~27.6	40.45	0.238	5000	0.25	6.00	0.28	41.3	
KF0715-2HR	B,H,S			34.05	0.174	4200	0.14	3.36	0.18	37.1	
KF0715-2M	B,H,S			29.16	0.134	3600	0.09	2.16	0.12	32.7	
KF0715-2L	B,H,S			24.00	0.093	3000	0.06	1.44	0.08	28.2	

Specifications subject to change without notice

The 7TH character of Model No means the bearing code. Please refer to the page "PART NUMBER SYSTEM". Please contact us for detail if your request bearing system is not shown in the above list.



DC AXIAL FAN

JAMICON®

70X70X25 mm

DF0725-11 Series



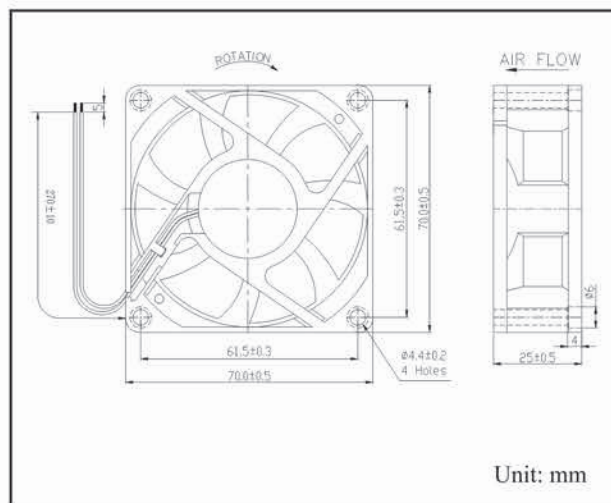
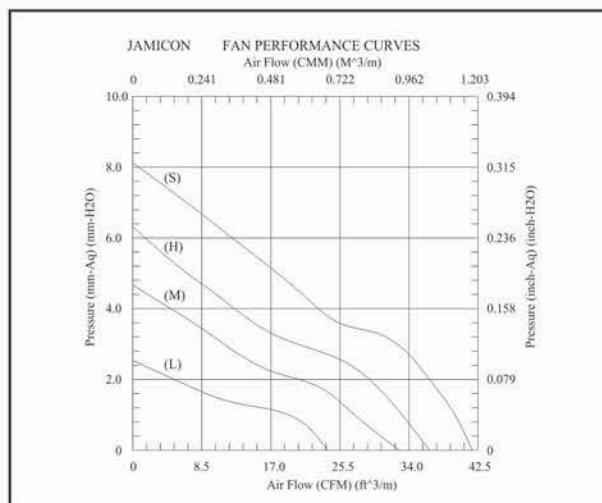
- **Frame** : Plastic Material UL 94V-0
- **Impeller** : Plastic Material UL 94V-0
- **Speed Range** : ±10%

SPECIFICATIONS

Model	Bearing	Rated Voltage (V)	Operating Voltage (V)	Air Flow (CFM)	Static Pressure (inchH ₂ O)	Speed (R.P.M.)	Input Current (Amp)	Input Power (Watt)	Nominal Current (Amp)	Noise (dBA)	Weight (g)
DF0725-1SR	B	12	10.2~13.8	41.79	0.320	5000	0.22	2.64	0.30	44.8	70
DF0725-1HR	S			36.52	0.249	4000	0.14	1.68	0.26	36.8	
DF0725-1MR	H			32.84	0.184	3000	0.11	1.32	0.22	32.6	
DF0725-1LR	F			23.98	0.100	2500	0.08	0.96	0.14	26.3	

Specifications subject to change without notice

The 7TH character of Model No means the bearing code. Please refer to the page "PART NUMBER SYSTEM". Please contact us for detail if your request bearing system is not shown in the above list.



DC AXIAL FAN

JAMICON®

80X80X10 mm

DF0810-11 Series



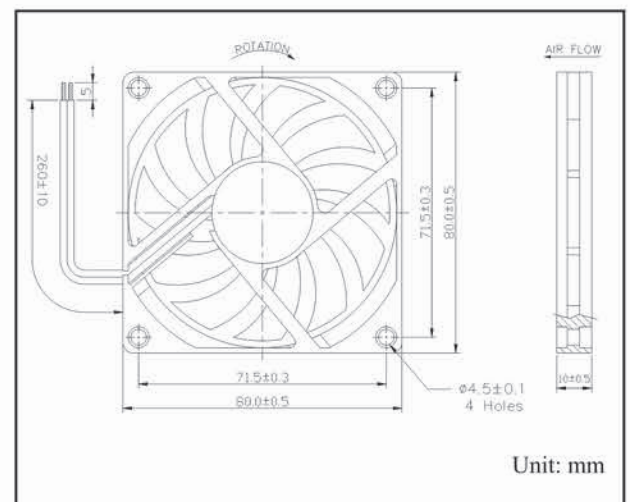
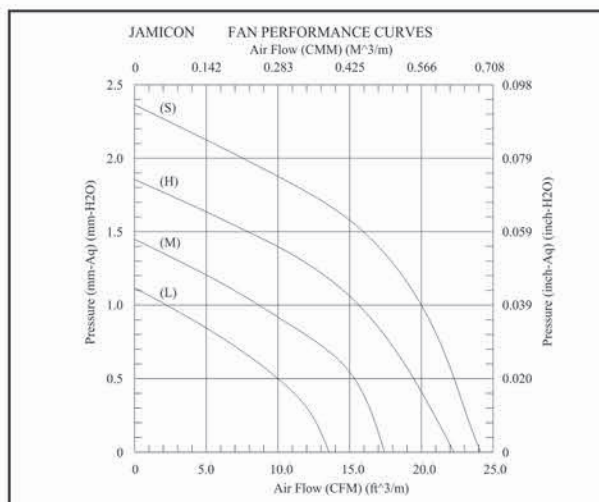
- **Frame** : Plastic Material UL 94V-0
- **Impeller** : Plastic Material UL 94V-0
- **Speed Range** : ±10%

SPECIFICATIONS

Model	Bearing	Rated Voltage (V)	Operating Voltage (V)	Air Flow (CFM)	Static Pressure (inchH ₂ O)	Speed (R.P.M.)	Input Current (Amp)	Input Power (Watt)	Nominal Current (Amp)	Noise (dBA)	Weight (g)
DF0810-5SR	B S H F	5	4.25~5.75	24.13	0.093	3500	0.45	2.25	0.45	34.5	40
DF0810-5HR				22.27	0.073	3000	0.25	1.25	0.25	29.3	
DF0810-5MR				17.42	0.057	2500	0.20	1.00	0.20	24.2	
DF0810-5LR				13.56	0.044	2000	0.16	0.80	0.16	21.1	
DF0810-1HR		12	10.2~13.8	22.27	0.073	3000	0.28	3.36	0.34	29.3	
DF0810-1MR				17.42	0.057	2500	0.18	2.16	0.28	24.2	
DF0810-1LR				13.56	0.044	2000	0.14	1.68	0.20	21.1	

Specifications subject to change without notice

The 7TH character of Model No means the bearing code. Please refer to the page "PART NUMBER SYSTEM". Please contact us for detail if your request bearing system is not shown in the above list.



DC AXIAL FAN

JAMICON®

80X80X15 mm

JF0815-03 Series



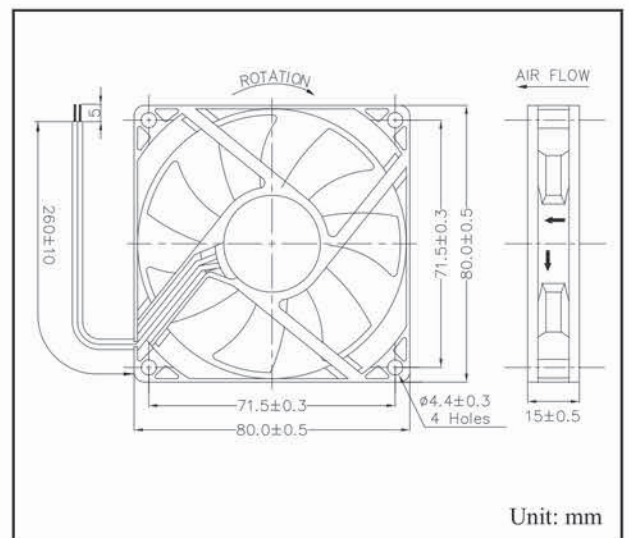
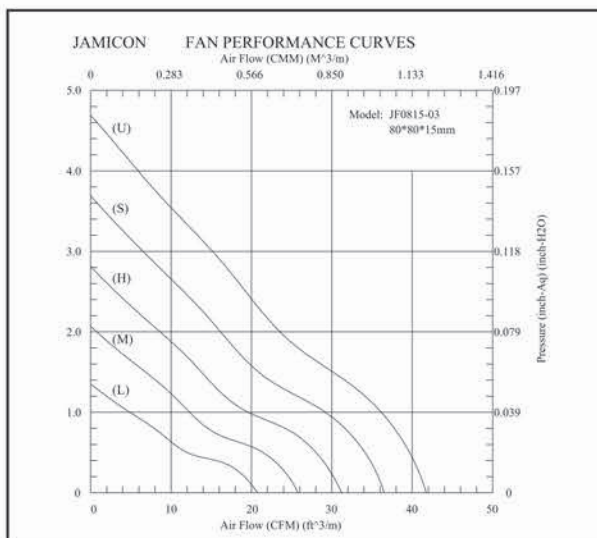
- **Frame** : Plastic Material UL 94V-0
- **Impeller** : Plastic Material UL 94V-0
- **Speed Range** : ±10%

SPECIFICATIONS

Model	Bearing	Rated Voltage (V)	Operating Voltage (V)	Air Flow (CFM)	Static Pressure (inchH ₂ O)	Speed (R.P.M.)	Input Current (Amp)	Input Power (Watt)	Nominal Current (Amp)	Noise (dBA)	Weight (g)
JF0815-1URAE	B	12	10.2 ~ 13.8	47.00	0.225	4500	0.34	4.08	0.34	40.8	49
JF0815-1UR	B, H			41.75	0.185	4000	0.31	3.72	0.34	38.0	
JF0815-1SR	B, H, S			36.50	0.145	3500	0.20	2.40	0.22	35.2	
JF0815-1H	B, H, S			31.22	0.111	3000	0.15	1.80	0.17	30.3	
JF0815-1M	B, H, S			25.79	0.081	2500	0.10	1.20	0.11	25.6	
JF0815-1L	B, H, S			20.73	0.053	2000	0.05	0.60	0.06	21.6	
JF0815-2URAB	B	24	20.4 ~ 27.6	43.85	0.201	4200	0.17	4.08	0.17	39.1	
JF0815-2UR	B, H			41.75	0.185	4000	0.15	3.60	0.17	38.0	
JF0815-2SR	B, H			36.50	0.145	3500	0.11	2.64	0.14	35.2	
JF0815-2H	B, H, S			31.22	0.111	3000	0.09	2.16	0.10	30.3	
JF0815-2M	B, H, S			25.79	0.081	2500	0.06	1.44	0.07	25.6	
JF0815-2L	B, H, S			20.73	0.053	2000	0.05	1.20	0.06	21.6	

Specifications subject to change without notice

The 7TH character of Model No means the bearing code. Please refer to the page "PART NUMBER SYSTEM". Please contact us for detail if your request bearing system is not shown in the above list.



DC AXIAL FAN

JAMICON®

80X80X20 mm

KF0820-01 Series



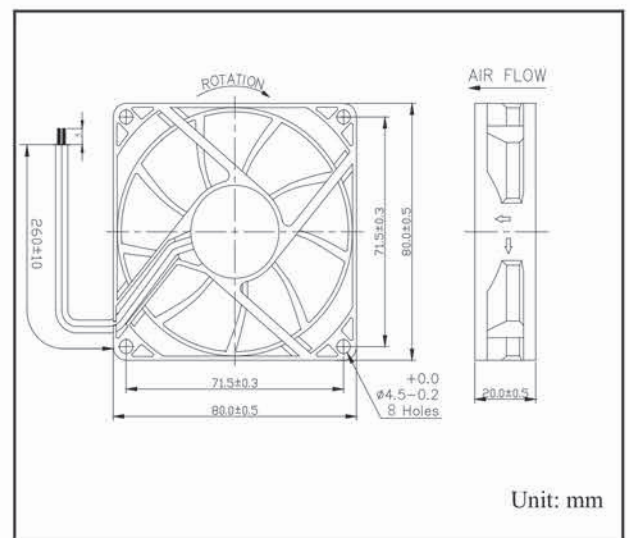
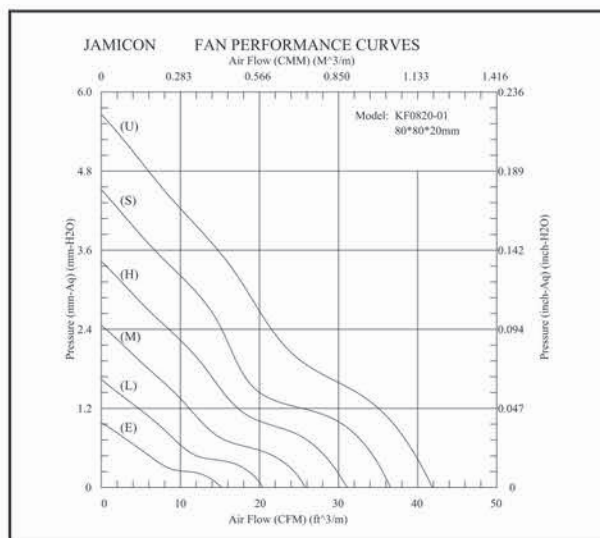
- **Frame** : Plastic Material UL 94V-0
- **Impeller** : Plastic Material UL 94V-0
- **Speed Range** : ±10%

SPECIFICATIONS

Model	Bearing	Rated Voltage (V)	Operating Voltage (V)	Air Flow (CFM)	Static Pressure (inchH ₂ O)	Speed (R.P.M.)	Input Current (Amp)	Input Power (Watt)	Nominal Current (Amp)	Noise (dBA)	Weight (g)
KF0820-1URAJ	B	12	10.2 ~ 13.8	52.51	0.313	5000	0.30	3.60	0.30	47.8	61
KF0820-1UR	B, H			41.87	0.223	4000	0.27	3.24	0.30	39.6	
KF0820-1SR	B, H, S			36.55	0.178	3500	0.20	2.40	0.22	35.5	
KF0820-1H	B, H, S			31.09	0.135	3000	0.14	1.68	0.15	31.4	
KF0820-1M	B, H, S			25.75	0.097	2500	0.08	0.96	0.09	26.5	
KF0820-1L	B, H, S			20.44	0.065	2000	0.06	0.72	0.07	21.3	
KF0820-1E	B, H, S			15.20	0.039	1500	0.04	0.48	0.05	14.2	
KF0820-2UR	B, H	24	20.4 ~ 27.6	41.87	0.223	4000	0.13	1.56	0.15	39.6	
KF0820-2SR	B, H, S			36.55	0.178	3500	0.10	2.40	0.11	35.5	
KF0820-2H	B, H, S			31.09	0.135	3000	0.07	1.68	0.08	31.4	
KF0820-2M	B, H, S			25.75	0.097	2500	0.06	1.44	0.07	26.5	
KF0820-2L	B, H, S			20.44	0.065	2000	0.04	0.96	0.05	21.3	
KF0820-2E	B, H, S			15.20	0.039	1500	0.03	0.72	0.04	14.2	

Specifications subject to change without notice

The 7TH character of Model No means the bearing code. Please refer to the page "PART NUMBER SYSTEM". Please contact us for detail if your request bearing system is not shown in the above list.



DC AXIAL FAN

JAMICON®

80X80X25 mm

SF0825-11 Series



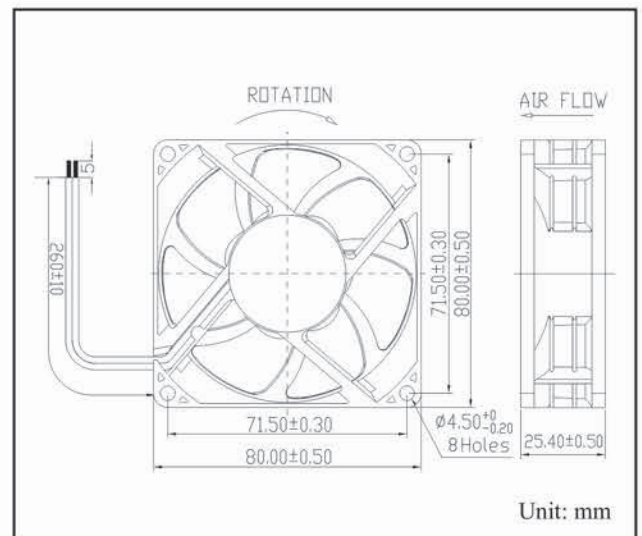
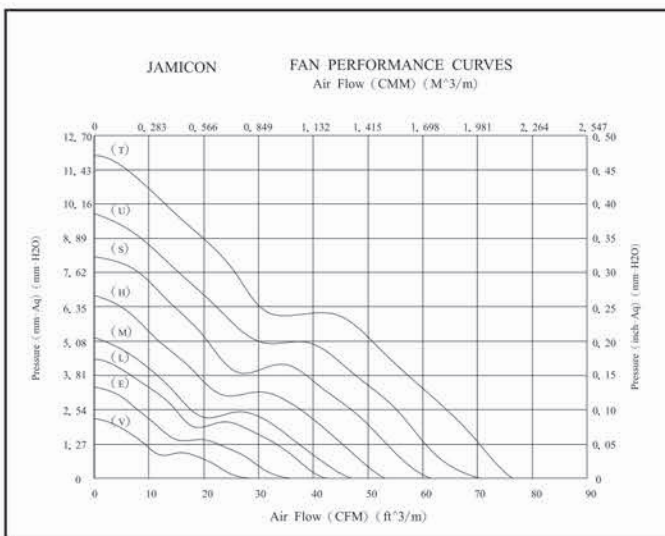
- **Frame** : Plastic Material UL 94V-0
- **Impeller** : Plastic Material UL 94V-0
- **Speed Range** : ±10%

SPECIFICATIONS

Model	Bearing	Rated Voltage (V)	Operating Voltage (V)	Air Flow (CFM)	Static Pressure (inchH ₂ O)	Speed (R.P.M.)	Input Current (Amp)	Input Power (Watt)	Nominal Current (Amp)	Noise (dBA)	Weight (g)
SF0825B1TRAE	B	12	10.2~13.8	80.09	0.554	6000	0.50	6.00	0.52	51.4	90
SF0825-1TR	B			76.40	0.459	5500	0.47	5.64	0.52	48.1	
SF0825-1UR	B			70.49	0.416	5100	0.33	3.96	0.43	45.5	
SF0825-1SR	B			61.51	0.322	4600	0.25	3.00	0.29	42.4	
SF0825-1HR	B			54.53	0.270	4100	0.17	2.04	0.24	38.6	
SF0825-1MR	B,S			48.10	0.210	3600	0.14	1.68	0.19	36.4	
SF0825-1LR	B,S			42.70	0.192	3100	0.10	1.20	0.16	31.5	
SF0825-1ER	B,S			35.52	0.132	2600	0.08	0.96	0.12	26.5	
SF0825-1VR	B,S			28.29	0.090	2100	0.06	0.72	0.08	22.3	
SF0825-2TR	B			24	20.4~27.6	76.40	0.459	5500	0.21	5.04	
SF0825-2UR	B	70.49	0.416			5100	0.17	4.08	0.22	45.5	
SF0825-2SR	B	61.51	0.322			4600	0.12	2.88	0.15	42.4	
SF0825-2HR	B	54.53	0.270			4100	0.08	1.92	0.12	38.6	
SF0825-2MR	B,S	48.10	0.210			3600	0.07	1.68	0.10	36.4	
SF0825-2LR	B,S	42.70	0.192			3100	0.06	0.44	0.08	31.5	
SF0825-2ER	B,S	35.52	0.132			2600	0.05	1.20	0.06	26.5	
SF0825-2VR	B,S	28.29	0.090			2100	0.04	0.96	0.05	22.3	

Specifications subject to change without notice

The 7TH character of Model No means the bearing code. Please refer to the page "PART NUMBER SYSTEM". Please contact us for detail if your request bearing system is not shown in the above list.



DC AXIAL FAN

JAMICON®

80X80X25 mm

KF0825-11 Series



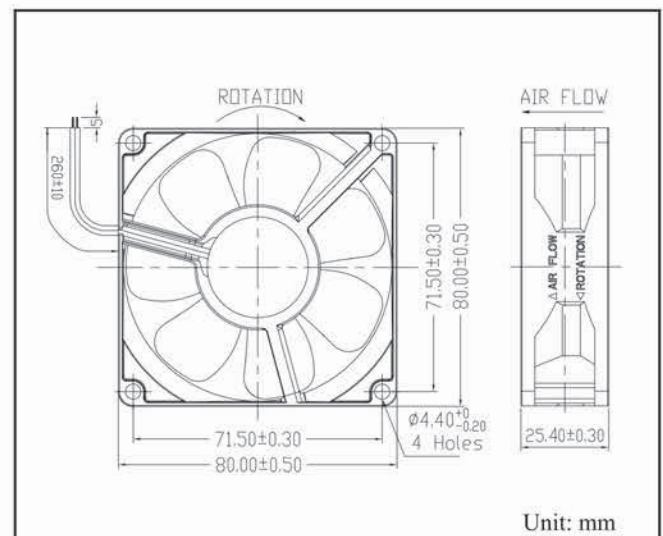
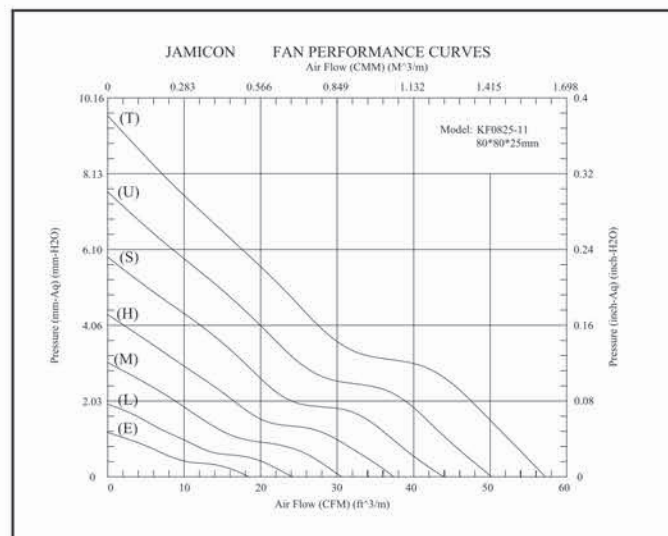
- **Frame** : Plastic Material UL 94V-0
- **Impeller** : Plastic Material UL 94V-0
- **Speed Range** : ±10%

SPECIFICATIONS

Model	Bearing	Rated Voltage (V)	Operating Voltage (V)	Air Flow (CFM)	Static Pressure (inchH ₂ O)	Speed (R.P.M.)	Input Current (Amp)	Input Power (Watt)	Nominal Current (Amp)	Noise (dBA)	Weight (g)	
KF0825B1TR	B	12	10.2 ~ 13.8	57.28	0.38	4500	0.42	5.04	0.50	42.10	86	
KF0825B1UR				50.25	0.30	4000	0.29	3.48	0.35	39.00		
KF0825B1SR				43.97	0.23	3500	0.25	3.00	0.30	34.80		
KF0825-1H	B, H, S			37.40	0.17	3000	0.17	2.04	0.20	30.90		
KF0825-1M	B, H, S			30.60	0.12	2500	0.10	1.20	0.12	25.80		
KF0825-1L	B, H, S			24.20	0.08	2000	0.07	0.84	0.08	22.30		
KF0825-1E	B, H, S		18.44	0.05	1500	0.04	0.48	0.05	20.50			
KF0825B2UR	B		24	20.4 ~ 27.6	50.25	0.30	4000	0.17	4.08	0.20		39.00
KF0825B2SR					43.97	0.23	3500	0.15	3.60	0.18		34.80
KF0825-2H	B, H, S				37.40	0.17	3000	0.11	2.64	0.13		30.90
KF0825-2M	B, H, S			30.60	0.12	2500	0.08	1.92	0.10	25.80		
KF0825-2L	B, H, S			24.20	0.08	2000	0.06	1.44	0.07	22.30		
KF0825-2E	B, H, S	18.44		0.05	1500	0.04	0.96	0.05	20.50			
KF0825B4UR	B	48	40.8 ~ 55.2	50.25	0.30	4000	0.13	6.24	0.16	39.00		
KF0825B4SR				43.97	0.23	3500	0.10	4.80	0.12	34.80		
KF0825B4HR				37.40	0.17	3000	0.07	3.36	0.08	30.90		
KF0825B4MR				30.60	0.12	2500	0.05	2.40	0.06	25.80		
KF0825B4LR				24.20	0.08	2000	0.03	1.44	0.04	22.30		

Specifications subject to change without notice

The 7TH character of Model No means the bearing code. Please refer to the page "PART NUMBER SYSTEM". Please contact us for detail if your request bearing system is not shown in the above list.



DC AXIAL FAN

JAMICON®

80X80X25 mm

JF0825-01 Series



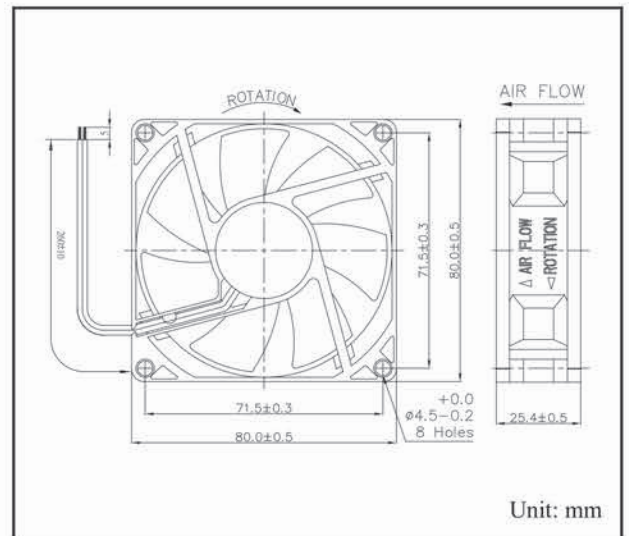
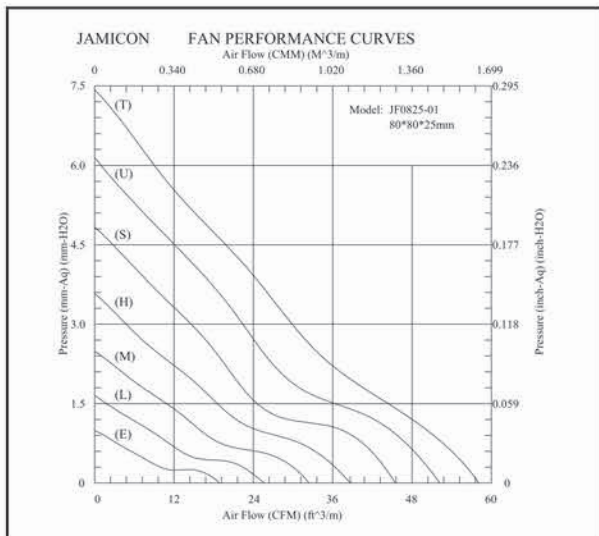
- **Frame** : Plastic Material UL 94V-0
- **Impeller** : Plastic Material UL 94V-0
- **Speed Range** : ±10%

SPECIFICATIONS

Model	Bearing	Rated Voltage (V)	Operating Voltage (V)	Air Flow (CFM)	Static Pressure (inchH ₂ O)	Speed (R.P.M.)	Input Current (Amp)	Input Power (Watt)	Nominal Current (Amp)	Noise (dBA)	Weight (g)
JF0825-1URAE	B, H	12	10.2 ~ 13.8	58.10	0.293	4500	0.37	4.44	0.37	43.9	73
JF0825-1UR	B, H			52.20	0.242	4000	0.37	4.44	0.37	40.7	
JF0825-1SR	B, H, S			45.50	0.191	3500	0.26	3.12	0.26	36.7	
JF0825-1H	B, H, S			38.39	0.141	3000	0.19	2.28	0.19	32.1	
JF0825-1M	B, H, S			32.41	0.098	2500	0.13	1.56	0.15	28.8	
JF0825-1L	B, H, S			25.66	0.065	2000	0.09	1.08	0.10	22.4	
JF0825-1E	B, H, S			18.93	0.039	1500	0.06	0.72	0.06	13.9	
JF0825-2TR	B, H	24	20.4 ~ 27.6	58.10	0.293	4500	0.27	6.48	0.27	43.9	
JF0825-2UR				52.20	0.242	4000	0.21	5.04	0.21	40.7	
JF0825-2SR	B, H, S			45.50	0.191	3500	0.16	3.84	0.17	36.7	
JF0825-2H	B, H, S			38.39	0.141	3000	0.13	3.12	0.15	32.1	
JF0825-2M	B, H, S			32.41	0.098	2500	0.10	2.40	0.13	28.8	
JF0825-2L	B, H, S			25.66	0.065	2000	0.08	1.92	0.10	22.4	
JF0825-2E	B, H, S			18.93	0.039	1500	0.04	0.96	0.05	13.9	
JF0825B4SR	B	48	40.8 ~ 55.2	45.50	0.191	3500	0.10	4.80	0.10	36.7	
JF0825B4HR				38.39	0.141	3000	0.08	3.84	0.08	32.1	
JF0825B4MR				32.41	0.098	2500	0.06	2.88	0.06	28.8	
JF0825B4LR				25.66	0.065	2000	0.05	2.40	0.05	22.4	

Specifications subject to change without notice

The 7TH character of Model No means the bearing code. Please refer to the page "PART NUMBER SYSTEM". Please contact us for detail if your request bearing system is not shown in the above list.



DC AXIAL FAN

JAMICON®

80X80X25 mm

JF0825-02 Series



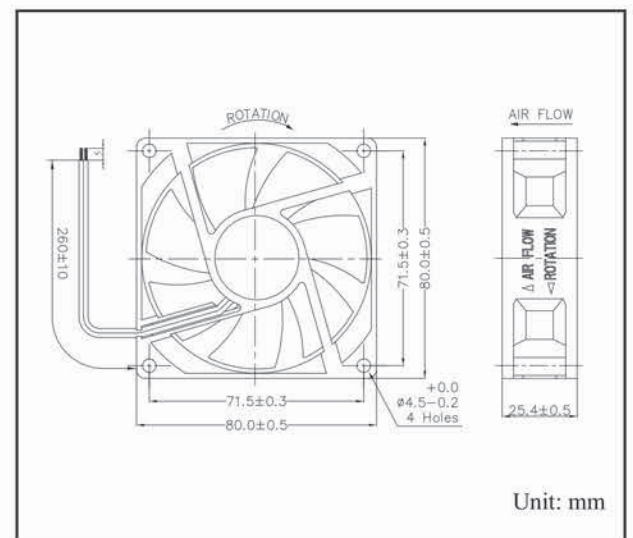
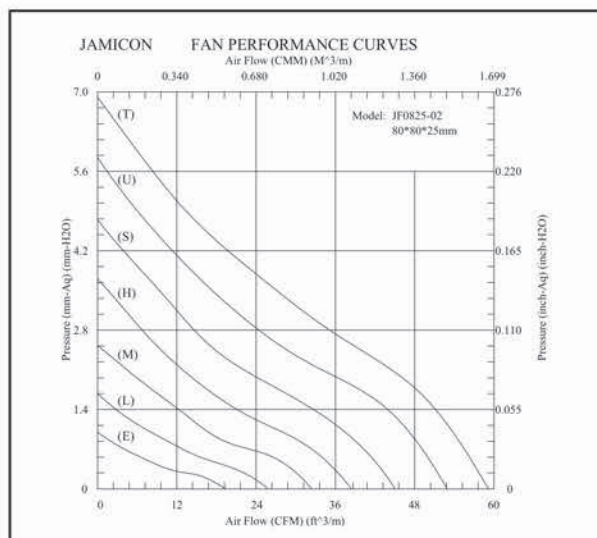
- **Frame** : Plastic Material UL 94V-0
- **Impeller** : Plastic Material UL 94V-0
- **Speed Range** : ±10%

SPECIFICATIONS

Model	Bearing	Rated Voltage (V)	Operating Voltage (V)	Air Flow (CFM)	Static Pressure (inchH ₂ O)	Speed (R.P.M.)	Input Current (Amp)	Input Power (Watt)	Nominal Current (Amp)	Noise (dBA)	Weight (g)
JF0825-1URAE	B, H	12	10.2 ~ 13.8	59.12	0.272	4500	0.37	4.44	0.37	43.5	79
JF0825-1UR	B, H			52.90	0.230	4000	0.37	4.44	0.37	40.8	
JF0825-1SR	B, H, S			45.00	0.187	3500	0.26	3.12	0.26	35.9	
JF0825-1H	B, H, S			38.67	0.146	3000	0.19	2.28	0.19	31.4	
JF0825-1M	B, H, S			32.42	0.100	2500	0.13	1.56	0.15	27.9	
JF0825-1L	B, H, S			25.81	0.066	2000	0.09	1.08	0.10	22.1	
JF0825-1E	B, H, S			19.43	0.039	1500	0.06	0.72	0.06	17.5	
JF0825-2TR	B, H	24	20.4 ~ 27.6	59.12	0.272	4500	0.27	6.48	0.27	43.5	
JF0825-2UR				52.90	0.230	4000	0.21	5.04	0.21	40.8	
JF0825-2SR	B, H, S			45.00	0.187	3500	0.16	3.84	0.17	35.9	
JF0825-2H	B, H, S			38.67	0.146	3000	0.13	3.12	0.15	31.4	
JF0825-2M	B, H, S			32.42	0.100	2500	0.10	2.40	0.13	27.9	
JF0825-2L	B, H, S			25.81	0.066	2000	0.08	1.92	0.10	22.1	
JF0825-2E	B, H, S			19.43	0.039	1500	0.04	0.96	0.05	17.5	
JF0825B4SR	B	48	40.8 ~ 55.2	45.00	0.187	3500	0.10	4.80	0.10	35.9	
JF0825B4HR				38.67	0.146	3000	0.08	3.84	0.08	31.4	
JF0825B4MR				32.42	0.100	2500	0.06	2.88	0.06	27.9	
JF0825B4LR				25.81	0.066	2000	0.05	2.40	0.05	22.1	

Specifications subject to change without notice

The 7TH character of Model No means the bearing code. Please refer to the page "PART NUMBER SYSTEM".
Please contact us for detail if your request bearing system is not shown in the above list.



DC AXIAL FAN

JAMICON®

80X80X25 mm

JF0825-00 Series



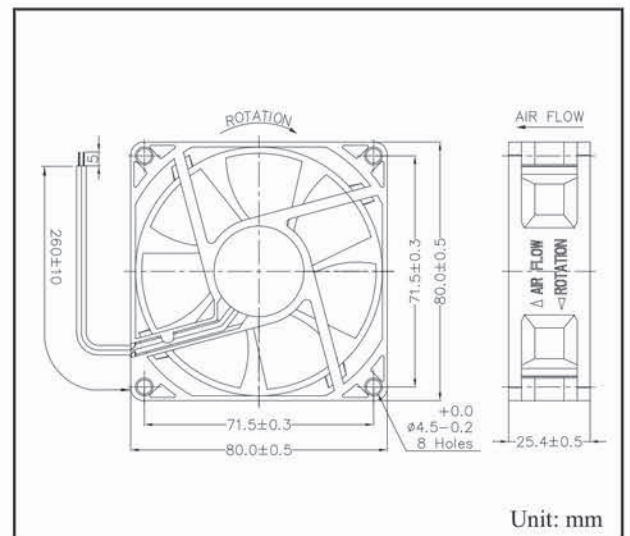
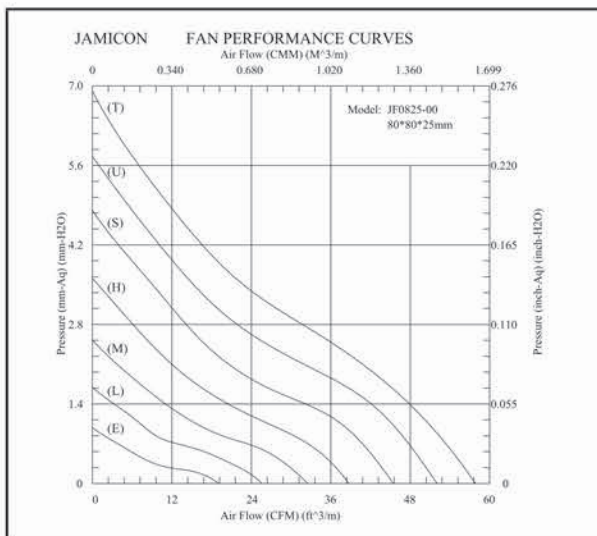
- **Frame** : Plastic Material UL 94V-0
- **Impeller** : Plastic Material UL 94V-0
- **Speed Range** : ±10%

SPECIFICATIONS

Model	Bearing	Rated Voltage (V)	Operating Voltage (V)	Air Flow (CFM)	Static Pressure (inchH ₂ O)	Speed (R.P.M.)	Input Current (Amp)	Input Power (Watt)	Nominal Current (Amp)	Noise (dBA)	Weight (g)
JF0825B1UR	B	12	10.2 ~ 13.8	52.06	0.227	4000	0.37	4.44	0.37	40.0	70
JF0825-1SR	B, S			45.46	0.189	3500	0.26	3.12	0.26	35.8	
JF0825-1H	B, S			38.74	0.142	3000	0.19	2.28	0.19	31.0	
JF0825-1M	B, S			32.52	0.099	2500	0.13	1.56	0.15	27.8	
JF0825-1L	B, S			25.54	0.067	2000	0.09	1.08	0.10	22.2	
JF0825-1E	B, S			19.09	0.039	1500	0.06	0.72	0.06	15.9	
JF0825B2TR	B	24	20.4 ~ 27.6	57.84	0.272	4500	0.27	6.48	0.27	42.4	
JF0825B2UR				52.06	0.227	4000	0.21	5.04	0.21	40.0	
JF0825-2SR	B, S			45.46	0.189	3500	0.16	3.84	0.17	35.8	
JF0825-2H	B, S			38.74	0.142	3000	0.13	3.12	0.15	31.0	
JF0825-2M	B, S			32.52	0.099	2500	0.10	2.40	0.13	27.8	
JF0825-2L	B, S			25.54	0.067	2000	0.08	1.92	0.10	22.2	
JF0825-2E	B, S	19.09	0.039	1500	0.04	0.96	0.05	15.9			
JF0825B4SR	B	48	40.8 ~ 55.2	45.46	0.189	3500	0.10	4.80	0.10	35.8	
JF0825B4HR				38.74	0.142	3000	0.08	3.84	0.08	31.0	
JF0825B4MR				32.52	0.099	2500	0.06	2.88	0.06	27.8	
JF0825B4LR				25.54	0.067	2000	0.05	2.40	0.05	22.2	

Specifications subject to change without notice

The 7TH character of Model No means the bearing code. Please refer to the page "PART NUMBER SYSTEM". Please contact us for detail if your request bearing system is not shown in the above list.



DC AXIAL FAN

JAMICON®

80X80X38 mm

KF0838-11 Series



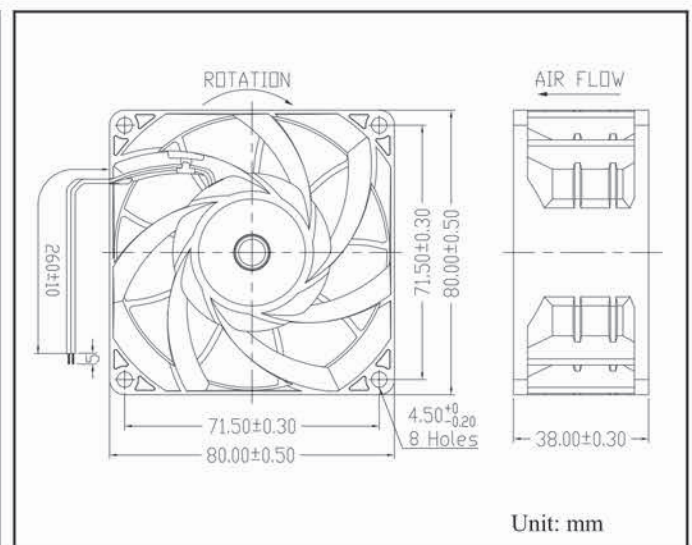
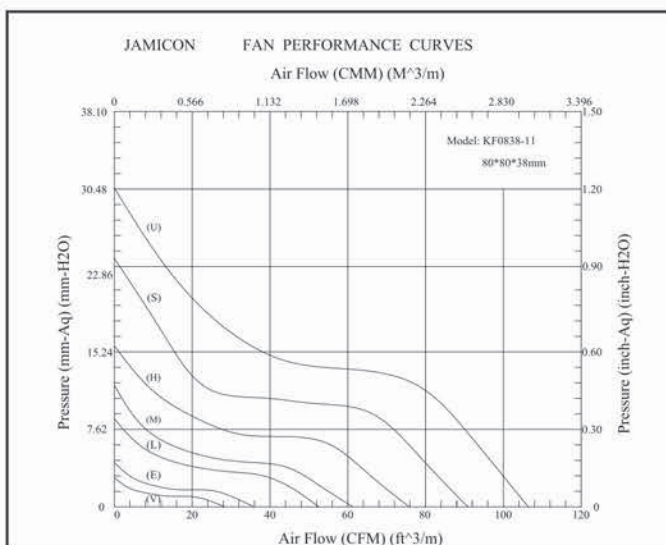
- **Frame** : Plastic Material UL 94V-0
- **Impeller** : Plastic Material UL 94V-0
- **Speed Range** : ±10%

SPECIFICATIONS

Model	Bearing	Rated Voltage (V)	Operating Voltage (V)	Air Flow (CFM)	Static Pressure (inchH ₂ O)	Speed (R.P.M.)	Input Current (Amp)	Input Power (Watt)	Nominal Current (Amp)	Noise (dBA)	Weight (g)
KF0838B1UR	B	12	10.2 ~ 13.8	106.39	1.23	7000	1.50	18.00	2.20	60.30	188
KF0838B1SR				90.85	0.96	6100	0.98	11.76	1.20	56.40	
KF0838B1HR				75.79	0.62	5000	0.60	7.20	0.72	50.90	
KF0838B1MR				61.29	0.47	4200	0.40	4.80	0.48	46.20	
KF0838B1LR				52.55	0.34	3500	0.27	3.24	0.32	41.40	
KF0838B1ER				35.93	0.17	2500	0.14	1.68	0.17	32.30	
KF0838B1VR				28.36	0.11	2000	0.10	1.20	0.12	27.30	
KF0838B2UR	B	24	20.4 ~ 27.6	106.39	1.23	7000	0.70	16.80	0.84	60.30	
KF0838B2SR				90.85	0.96	6100	0.52	12.48	0.62	56.40	
KF0838B2HR				75.79	0.62	5000	0.32	7.68	0.36	50.90	
KF0838B2MR				61.29	0.47	4200	0.22	5.28	0.26	46.20	
KF0838B2LR				52.55	0.34	3500	0.14	3.36	0.17	41.40	
KF0838B2ER				35.93	0.17	2500	0.08	1.92	0.10	32.30	
KF0838B2VR				28.36	0.11	2000	0.06	1.44	0.07	27.30	
KF0838B4UR	B	48	40.8 ~ 55.2	106.39	1.23	7000	0.37	17.76	0.44	60.30	
KF0838B4SR				90.85	0.96	6100	0.24	11.52	0.29	56.40	
KF0838B4HR				75.79	0.62	5000	0.20	9.60	0.24	50.90	
KF0838B4MR				61.29	0.47	4200	0.15	7.20	0.18	46.20	
KF0838B4LR				52.55	0.34	3500	0.14	6.72	0.17	41.40	
KF0838B4ER				35.93	0.17	2500	0.10	4.80	0.12	32.30	
KF0838B4VR				28.36	0.11	2000	0.08	3.84	0.10	27.30	

Specifications subject to change without notice

The 7TH character of Model No means the bearing code. Please refer to the page "PART NUMBER SYSTEM". Please contact us for detail if your request bearing system is not shown in the above list.



DC AXIAL FAN

JAMICON®

80X80X38 mm

JF0838-11 Series



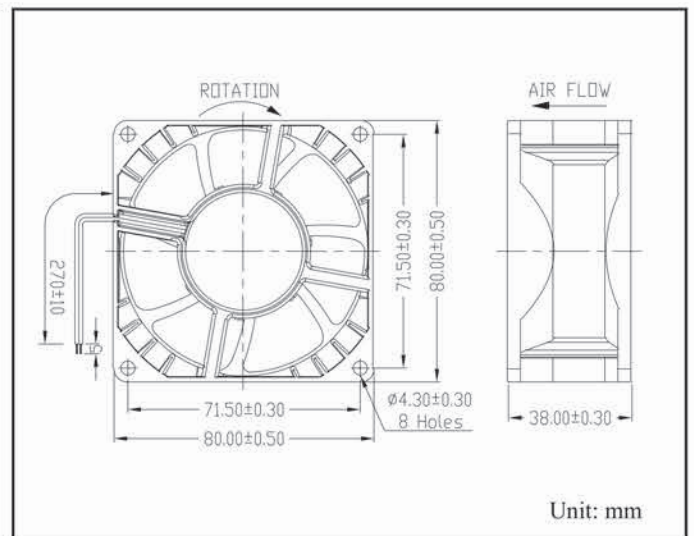
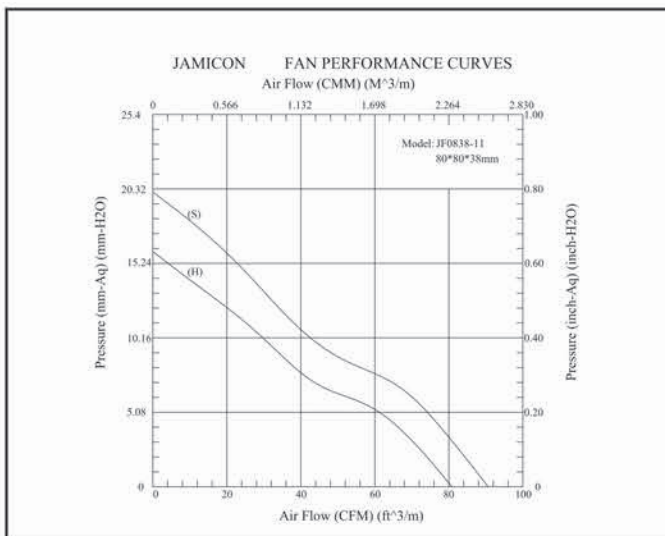
- **Frame** : Plastic Material UL 94V-0
- **Impeller** : Plastic Material UL 94V-0
- **Speed Range** : ±10%

SPECIFICATIONS

Model	Bearing	Rated Voltage (V)	Operating Voltage (V)	Air Flow (CFM)	Static Pressure (inchH ₂ O)	Speed (R.P.M.)	Input Current (Amp)	Input Power (Watt)	Nominal Current (Amp)	Noise (dBA)	Weight (g)
JF0838B1SR	B	12	10.2 ~ 13.8	90.38	0.795	6300	1.12	13.44	1.34	53.6	174
JF0838B1HR				80.58	0.632	5700	0.95	11.40	1.14	51.9	
JF0838B2SR	B	24	20.4~27.6	90.38	0.795	6300	0.60	14.40	0.72	53.6	
JF0838B2HR				80.58	0.632	5700	0.52	12.48	0.62	51.9	
JF0838B4SR	B	48	40.8~55.2	90.38	0.795	6300	0.33	15.84	0.40	53.6	
JF0838B4HR				80.58	0.632	5700	0.27	12.96	0.32	51.9	

Specifications subject to change without notice

The 7TH character of Model No means the bearing code. Please refer to the page "PART NUMBER SYSTEM". Please contact us for detail if your request bearing system is not shown in the above list.



DC AXIAL FAN

JAMICON®

92X92X25 mm

KF0925-11 Series



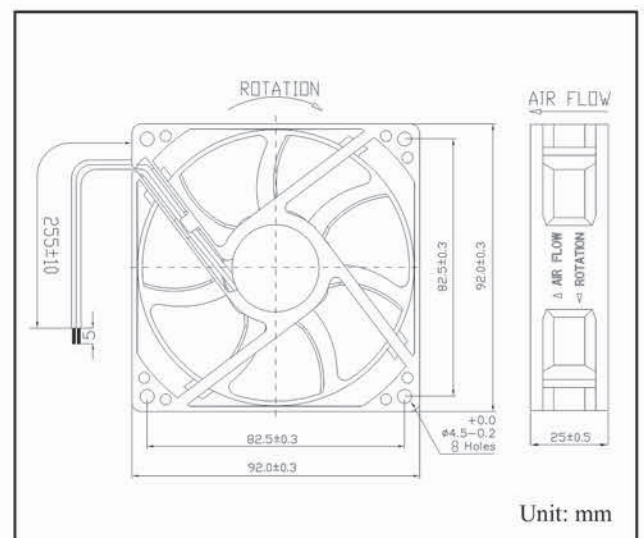
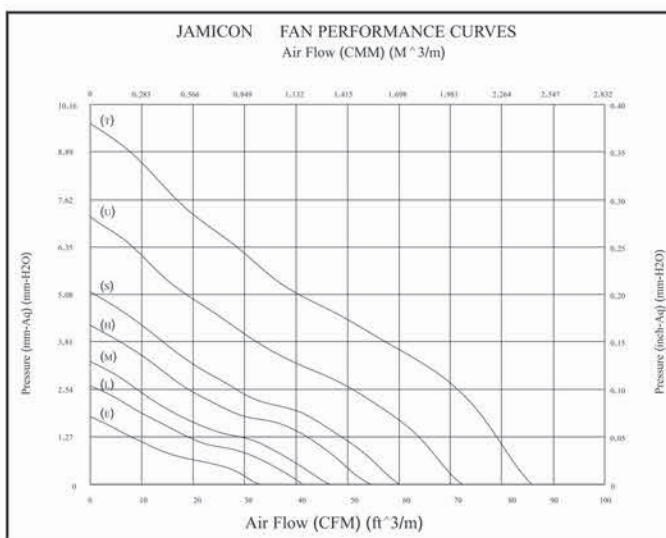
- **Frame** : Plastic Material UL 94V-0
- **Impeller** : Plastic Material UL 94V-0
- **Speed Range** : ±10%

SPECIFICATIONS

Model	Bearing	Rated Voltage (V)	Operating Voltage (V)	Air Flow (CFM)	Static Pressure (inchH ₂ O)	Speed (R.P.M.)	Input Current (Amp)	Input Power (Watt)	Nominal Current (Amp)	Noise (dBA)	Weight (g)
KF0925-1TR	B	12	10.2~13.8	83.56	0.355	4400	0.48	5.76	0.54	48.5	100
KF0925-1UR	B			72.92	0.293	4000	0.33	3.96	0.42	45.9	
KF0925-1SR	B			60.14	0.200	3300	0.23	2.76	0.28	40.5	
KF0925-1HR	B,S			53.00	0.160	2900	0.16	1.91	0.24	36.7	
KF0925-1MR	B,S			47.80	0.130	2600	0.12	1.44	0.15	33.7	
KF0925-1LR	B,S			42.00	0.100	2300	0.09	1.08	0.10	30.5	
KF0925-1ER	B,S			33.28	0.070	1900	0.07	0.84	0.08	26.5	
KF0925-2TR	B	24	20.4~27.6	83.56	0.355	4400	0.26	6.24	0.29	48.5	
KF0925-2UR	B			72.92	0.293	4000	0.18	4.32	0.24	45.9	
KF0925-2SR	B			60.14	0.200	3300	0.10	2.40	0.15	40.5	
KF0925-2HR	B,S			53.00	0.160	2900	0.08	1.92	0.12	36.7	
KF0925-2MR	B,S			47.80	0.130	2600	0.07	1.68	0.10	33.7	
KF0925-2LR	B,S			42.00	0.100	2300	0.05	1.20	0.08	30.5	
KF0925-2ER	B,S			33.28	0.070	1900	0.04	0.96	0.07	26.5	

Specifications subject to change without notice

The 7TH character of Model No means the bearing code. Please refer to the page "PART NUMBER SYSTEM". Please contact us for detail if your request bearing system is not shown in the above list.



DC AXIAL FAN

JAMICON®

92X92X25 mm

JF0925-00 Series



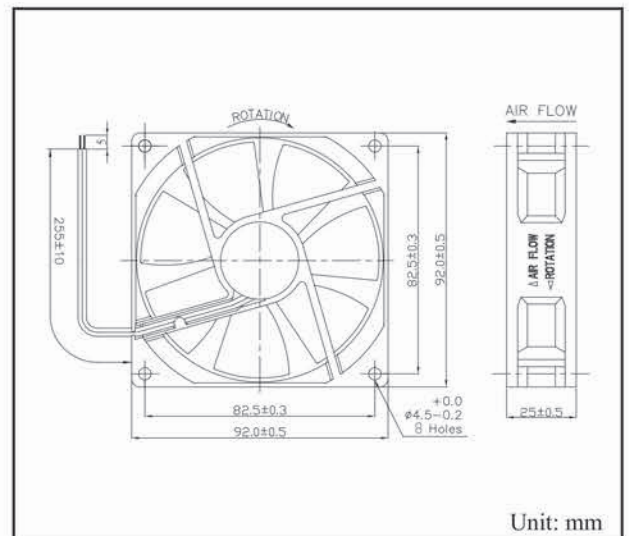
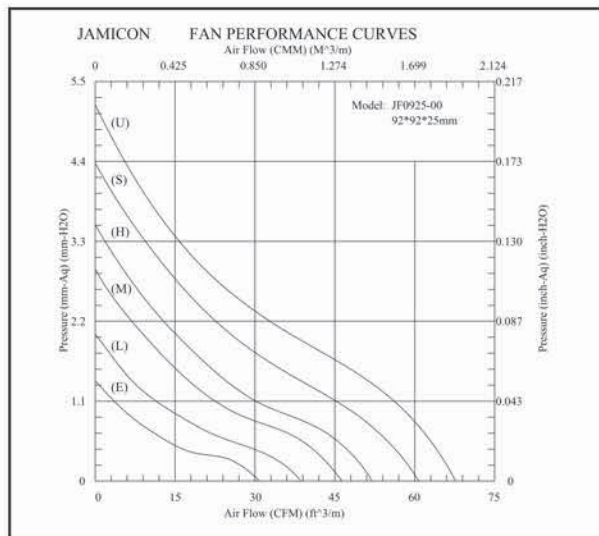
- **Frame** : Plastic Material UL 94V-0
- **Impeller** : Plastic Material UL 94V-0
- **Speed Range** : ±10%

SPECIFICATIONS

Model	Bearing	Rated Voltage (V)	Operating Voltage (V)	Air Flow (CFM)	Static Pressure (inchH ₂ O)	Speed (R.P.M.)	Input Current (Amp)	Input Power (Watt)	Nominal Current (Amp)	Noise (dBA)	Weight (g)
JF0925-1URAC	B	12	10.2 ~ 13.8	71.80	0.247	3800	0.40	4.80	0.42	44.9	81
JF0925-1UR	B, H			67.65	0.204	3500	0.35	4.20	0.42	41.9	
JF0925-1SR	B, H, S			60.75	0.172	3200	0.31	3.72	0.32	38.9	
JF0925-1H	B, H, S			52.04	0.139	2800	0.25	3.00	0.35	35.1	
JF0925-1M	B, H, S			46.31	0.115	2500	0.17	2.04	0.20	32.0	
JF0925-1L	B, H, S			38.64	0.080	2100	0.13	1.56	0.16	27.6	
JF0925-1E	B, H, S			30.86	0.054	1700	0.09	1.08	0.10	23.1	
JF0925-2URAC	B	24	20.4 ~ 27.6	71.80	0.247	3800	0.24	5.76	0.24	44.9	
JF0925-2UR	B, H			67.65	0.204	3500	0.23	5.52	0.24	41.9	
JF0925-2SR	B, H, S			60.75	0.172	3200	0.18	4.32	0.18	38.9	
JF0925-2H	B, H, S			52.04	0.139	2800	0.15	3.60	0.19	35.1	
JF0925-2M	B, H, S			46.31	0.115	2500	0.11	2.64	0.15	32.0	
JF0925-2L	B, H, S			38.64	0.080	2100	0.08	1.92	0.13	27.6	
JF0925-2E	B, H, S			30.86	0.054	1700	0.06	1.44	0.07	23.1	
JF0925B4HR	B	48	40.8 ~ 55.2	52.04	0.139	2800	0.09	4.32	0.09	35.1	
JF0925B4MR				46.31	0.115	2500	0.08	3.84	0.08	32.0	
JF0925B4LR				38.64	0.080	2100	0.06	2.88	0.06	27.6	
JF0925B4ER				30.86	0.054	1700	0.05	2.40	0.05	23.1	

Specifications subject to change without notice

The 7TH character of Model No means the bearing code. Please refer to the page "PART NUMBER SYSTEM". Please contact us for detail if your request bearing system is not shown in the above list.



DC AXIAL FAN

JAMICON®

92X92X38 mm

KF0938-11 Series



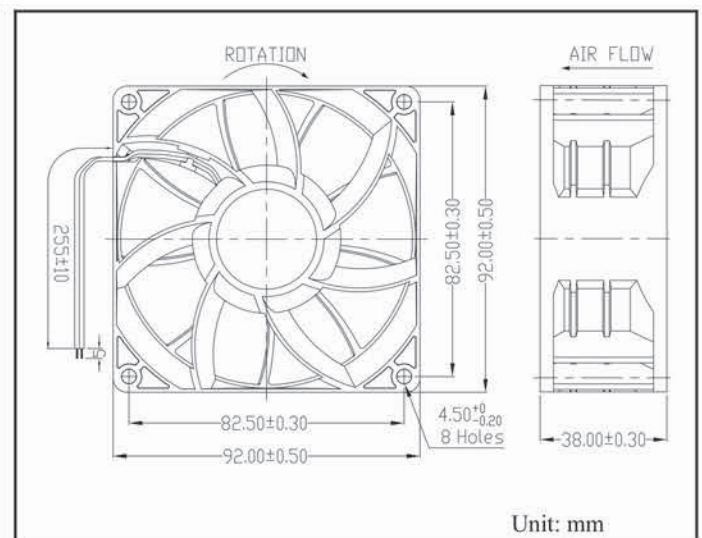
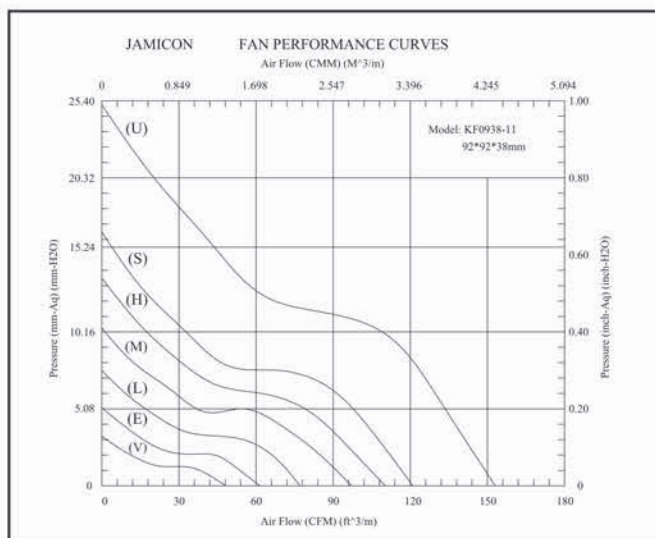
- **Frame** : Plastic Material UL 94V-0
- **Impeller** : Plastic Material UL 94V-0
- **Speed Range** : ±10%

SPECIFICATIONS

Model	Bearing	Rated Voltage (V)	Operating Voltage (V)	Air Flow (CFM)	Static Pressure (inchH ₂ O)	Speed (R.P.M.)	Input Current (Amp)	Input Power (Watt)	Nominal Current (Amp)	Noise (dBA)	Weight (g)
KF0938B1UR	B	12	10.2 ~ 13.8	153.07	0.99	6000	1.84	22.08	2.21	61.70	198
KF0938B1SR				121.01	0.66	4800	0.88	10.56	1.06	54.90	
KF0938B1HR				110.27	0.54	4400	0.70	8.40	0.84	52.90	
KF0938B1MR				97.15	0.41	3800	0.60	7.20	0.72	48.50	
KF0938B1LR				77.08	0.31	3200	0.43	5.16	0.52	43.30	
KF0938B1ER				61.60	0.20	2600	0.20	2.40	0.24	36.20	
KF0938B1VR				48.16	0.13	2000	0.13	1.56	0.16	31.40	
KF0938B2UR	B	24	20.4 ~ 27.6	153.07	0.99	6000	0.88	21.12	1.06	61.70	
KF0938B2SR				121.01	0.66	4800	0.42	10.08	0.50	54.90	
KF0938B2HR				110.27	0.54	4400	0.36	8.64	0.43	52.90	
KF0938B2MR				97.15	0.41	3800	0.35	8.40	0.42	48.50	
KF0938B2LR				77.08	0.31	3200	0.22	5.28	0.26	43.30	
KF0938B2ER				61.60	0.20	2600	0.11	2.64	0.13	36.20	
KF0938B2VR				48.16	0.13	2000	0.07	1.68	0.08	31.40	
KF0938B4UR	B	48	40.8 ~ 55.2	153.07	0.99	6000	0.48	23.04	0.58	61.70	
KF0938B4SR				121.01	0.66	4800	0.24	11.52	0.29	54.90	
KF0938B4HR				110.27	0.54	4400	0.20	9.60	0.24	52.90	
KF0938B4MR				97.15	0.41	3800	0.18	8.64	0.22	48.50	
KF0938B4LR				77.08	0.31	3200	0.15	7.20	0.18	43.30	
KF0938B4ER				61.60	0.20	2600	0.11	5.28	0.13	36.20	
KF0938B4VR				48.16	0.13	2000	0.07	3.36	0.08	31.40	

Specifications subject to change without notice

The 7TH character of Model No means the bearing code. Please refer to the page "PART NUMBER SYSTEM". Please contact us for detail if your request bearing system is not shown in the above list.



DC AXIAL FAN

JAMICON®

120X120X25 mm

JF1225-00 Series



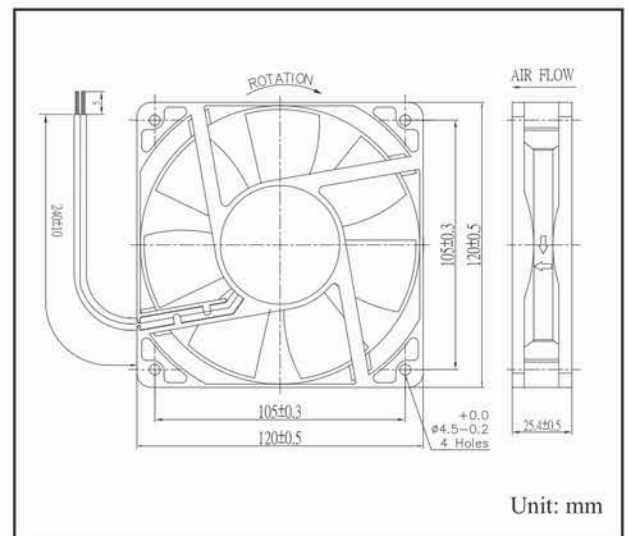
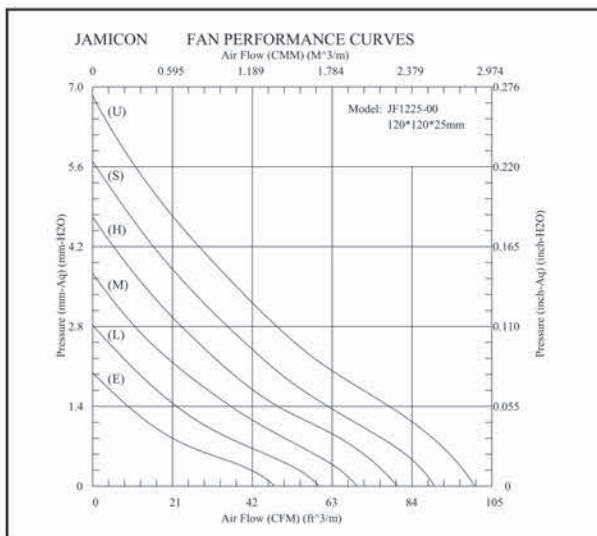
- **Frame** : Plastic Material UL 94V-0
- **Impeller** : Plastic Material UL 94V-0
- **Speed Range** : ±10%

SPECIFICATIONS

Model	Bearing	Rated Voltage (V)	Operating Voltage (V)	Air Flow (CFM)	Static Pressure (inchH ₂ O)	Speed (R.P.M.)	Input Current (Amp)	Input Power (Watt)	Nominal Current (Amp)	Noise (dBA)	Weight (g)	
JF1225B1URAB	B	12	10.2 ~ 13.8	111.36	0.340	3200	0.50	6.00	0.50	47.8	205	
JF1225B1UR				100.50	0.269	3000	0.50	6.00	0.50	45.7		
JF1225B1SR				89.87	0.224	2700	0.37	4.44	0.37	42.8		
JF1225-1H	B, S			80.11	0.186	2400	0.25	3.00	0.30	39.5		
JF1225-1M	B, S			69.57	0.147	2100	0.20	2.40	0.25	36.3		
JF1225-1L	B, S			59.57	0.111	1800	0.14	1.68	0.20	32.4		
JF1225-1E	B, S		47.88	0.078	1500	0.10	1.20	0.12	27.4			
JF1225B2URAB	B		24	20.4~ 27.6	111.36	0.340	3200	0.28	6.72	0.28		47.8
JF1225B2UR					100.50	0.269	3000	0.28	6.72	0.28		45.7
JF1225B2SR					89.87	0.224	2700	0.21	5.04	0.21		42.8
JF1225-2H	B, S				80.11	0.186	2400	0.20	4.80	0.25		39.5
JF1225-2M	B, S				69.57	0.147	2100	0.14	3.36	0.20		36.3
JF1225-2L	B, S	59.57			0.111	1800	0.11	2.64	0.15	32.4		
JF1225-2E	B, S	47.88		0.078	1500	0.08	1.92	0.10	27.4			
JF1225B4UR	B	48		40.8 ~ 55.2	100.50	0.269	3000	0.14	6.72	0.14	45.7	
JF1225B4SR					89.87	0.224	2700	0.12	5.76	0.12	42.8	
JF1225B4HR					80.11	0.186	2400	0.10	4.80	0.10	39.5	
JF1225B4MR					69.57	0.147	2100	0.08	3.84	0.08	36.3	
JF1225B4LR					59.57	0.111	1800	0.07	3.36	0.07	32.4	
JF1225B4ER			47.88		0.078	1500	0.06	2.88	0.06	27.4		

Specifications subject to change without notice

The 7TH character of Model No means the bearing code. Please refer to the page "PART NUMBER SYSTEM". Please contact us for detail if your request bearing system is not shown in the above list.



DC AXIAL FAN

JAMICON®

120X120X25 mm

KF1225-02 Series



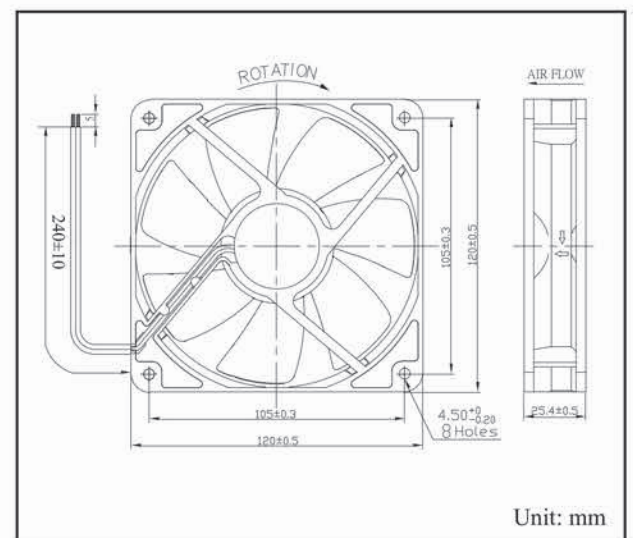
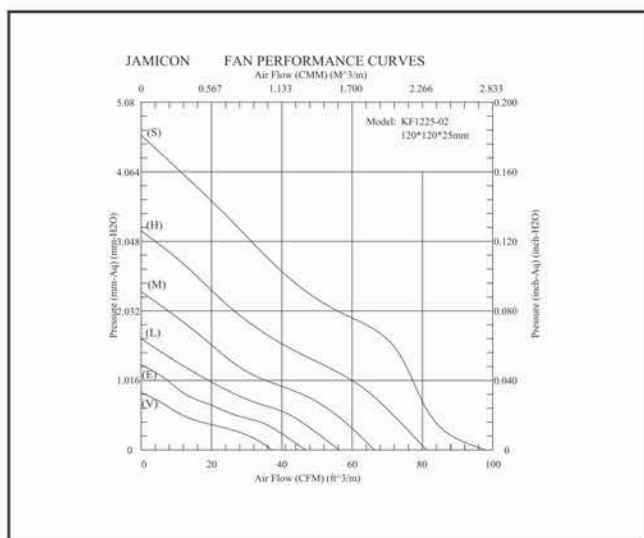
- **Frame** : Plastic Material UL 94V-0
- **Impeller** : Plastic Material UL 94V-0
- **Speed Range** : ±10%

SPECIFICATIONS

Model	Bearing	Rated Voltage (V)	Operating Voltage (V)	Air Flow (CFM)	Static Pressure (inchH ₂ O)	Speed (R.P.M.)	Input Current (Amp)	Input Power (Watt)	Nominal Current (Amp)	Noise (dBA)	Weight (g)
KF1225B1HRAD	B	12	10.2 ~ 13.8	97.83	0.181	2600	0.30	3.60	0.35	40.8	135
KF1225-1HR	B, H, S			81.17	0.126	2200	0.30	3.60	0.35	36.8	
KF1225-1M				66.28	0.091	1800	0.19	2.28	0.20	30.5	
KF1225-1L				56.29	0.064	1500	0.13	1.56	0.14	27.2	
KF1225-1E				46.79	0.049	1200	0.07	0.84	0.09	22.8	
KF1225-1V				37.23	0.033	1000	0.06	0.72	0.07	21.4	
KF1225B2HRAD	B	24	20.4~27.6	97.83	0.181	2600	0.20	4.80	0.20	40.8	
KF1225-2HR	B, H, S			81.17	0.126	2200	0.18	4.32	0.20	36.8	
KF1225-2M				66.28	0.091	1800	0.12	2.88	0.13	30.5	
KF1225-2L				56.29	0.064	1500	0.08	1.92	0.09	27.2	

Specifications subject to change without notice

The 7TH character of Model No means the bearing code. Please refer to the page "PART NUMBER SYSTEM". Please contact us for detail if your request bearing system is not shown in the above list.



DC AXIAL FAN

JAMICON®

120X120X25 mm

KF1225-01 Series



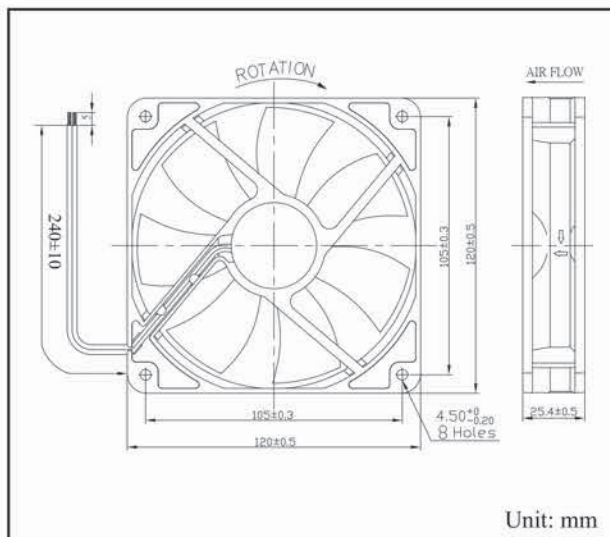
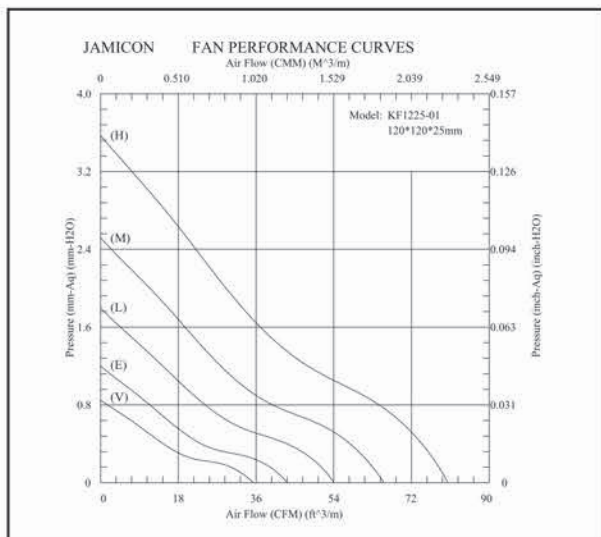
- **Frame** : Plastic Material UL 94V-0
- **Impeller** : Plastic Material UL 94V-0
- **Speed Range** : ±10%

SPECIFICATIONS

Model	Bearing	Rated Voltage (V)	Operating Voltage (V)	Air Flow (CFM)	Static Pressure (inchH ₂ O)	Speed (R.P.M.)	Input Current (Amp)	Input Power (Watt)	Nominal Current (Amp)	Noise (dBA)	Weight (g)
KF1225-1HR	B, H, S	12	10.2 ~ 13.8	80.49	0.141	2200	0.30	3.60	0.35	38.5	133
KF1225-1M				65.63	0.099	1800	0.19	2.28	0.20	32.5	
KF1225-1L				54.05	0.071	1500	0.13	1.56	0.14	27.4	
KF1225-1E				43.23	0.047	1200	0.07	0.84	0.09	21.4	
KF1225-1V				35.37	0.033	1000	0.06	0.72	0.07	15.5	
KF1225-2HR	B, H, S	24	20.4 ~ 27.6	80.49	0.141	2200	0.18	4.32	0.20	38.5	
KF1225-2M				65.63	0.099	1800	0.12	2.88	0.13	32.5	
KF1225-2L				54.05	0.071	1500	0.08	1.92	0.09	27.4	

Specifications subject to change without notice

The 7TH character of Model No means the bearing code. Please refer to the page "PART NUMBER SYSTEM". Please contact us for detail if your request bearing system is not shown in the above list.



DC AXIAL FAN

JAMICON®

120X120X38 mm

JF1238-19 Series



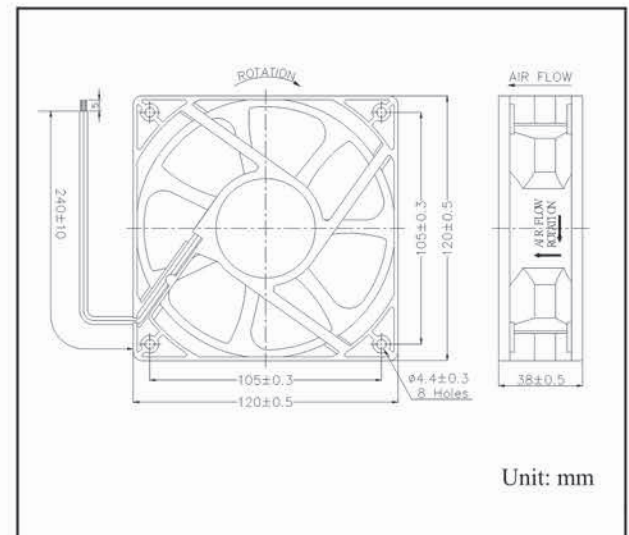
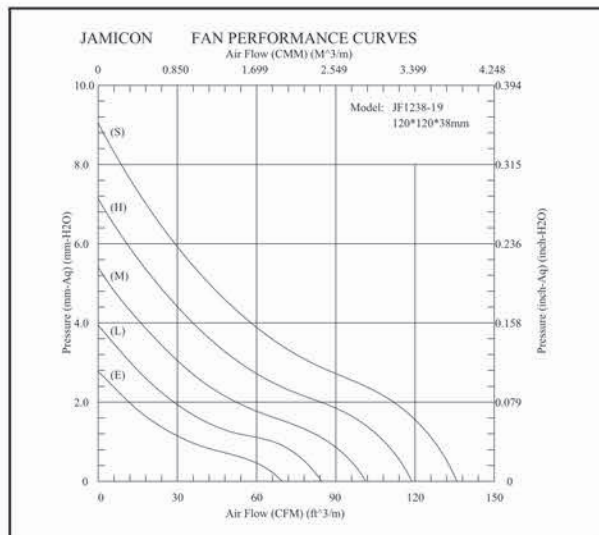
- **Frame** : Plastic Material UL 94V-0
- **Impeller** : Plastic Material UL 94V-0
- **Speed Range** : ±10%

SPECIFICATIONS

Model	Bearing	Rated Voltage (V)	Operating Voltage (V)	Air Flow (CFM)	Static Pressure (inchH ₂ O)	Speed (R.P.M.)	Input Current (Amp)	Input Power (Watt)	Nominal Current (Amp)	Noise (dBA)	Weight (g)
JF1238B1SR	B	12	10.2 ~ 13.8	135.8	0.356	3200	0.70	8.40	0.80	47.9	278
JF1238-1HR	B, S			118.7	0.281	2800	0.48	5.76	0.55	43.8	
JF1238-1MR	B, S			101.3	0.213	2400	0.32	3.96	0.38	39.1	
JF1238-1LR	B, S			84.5	0.155	2000	0.20	2.40	0.21	33.8	
JF1238-1ER	B, S			69.6	0.109	1700	0.10	1.20	0.11	29.6	
JF1238B2SR	B	24	20.4 ~ 27.6	135.8	0.356	3200	0.37	8.88	0.45	47.9	
JF1238-2HR	B, S			118.7	0.281	2800	0.31	7.44	0.32	43.8	
JF1238-2MR	B, S			101.3	0.213	2400	0.22	5.28	0.23	39.1	
JF1238-2LR	B, S			84.5	0.155	2000	0.13	3.12	0.14	33.8	
JF1238-2ER	B, S			69.6	0.109	1700	0.09	2.16	0.11	29.6	
JF1238B4SR	B	48	40.8 ~ 55.2	135.8	0.356	3200	0.20	9.60	0.22	47.9	
JF1238B4HR	B			118.7	0.281	2800	0.13	6.24	0.15	43.8	
JF1238B4MR	B			101.3	0.213	2400	0.09	4.32	0.11	39.1	
JF1238B4LR	B			84.5	0.155	2000	0.07	3.36	0.08	33.8	

Specifications subject to change without notice

The 7TH character of Model No means the bearing code. Please refer to the page "PART NUMBER SYSTEM". Please contact us for detail if your request bearing system is not shown in the above list.



DC AXIAL FAN

JAMICON®

120X120X38 mm

JF1238-13 Series



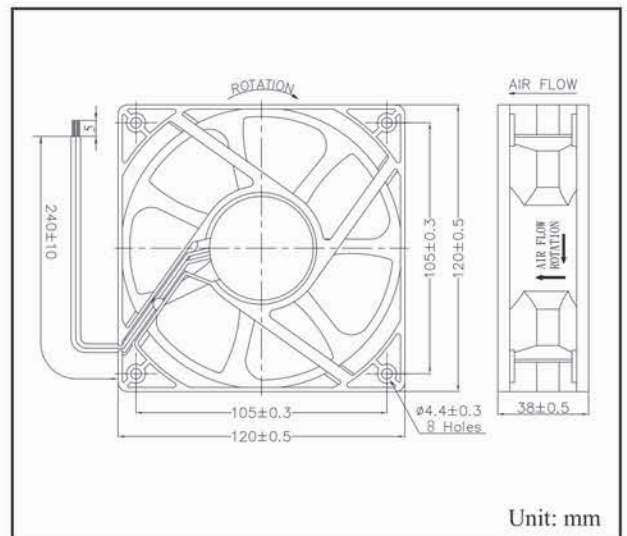
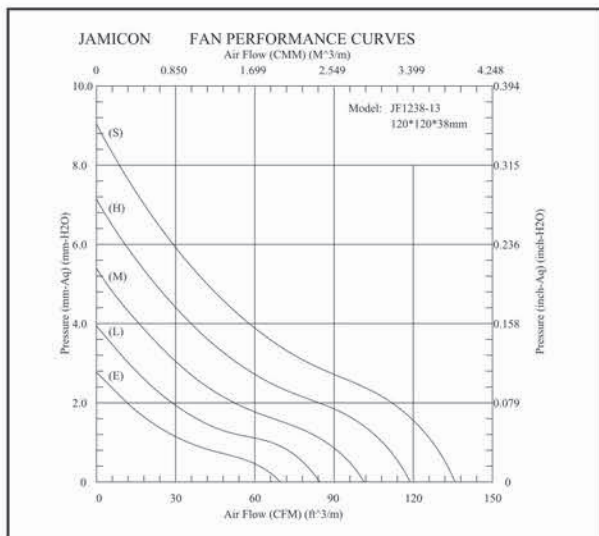
- **Frame** : Plastic Material UL 94V-0
- **Impeller** : Plastic Material UL 94V-0
- **Speed Range** : ±10%

SPECIFICATIONS

Model	Bearing	Rated Voltage (V)	Operating Voltage (V)	Air Flow (CFM)	Static Pressure (inchH ₂ O)	Speed (R.P.M.)	Input Current (Amp)	Input Power (Watt)	Nominal Current (Amp)	Noise (dBA)	Weight (g)
JF1238B1SR	B	12	10.2 ~ 13.8	135.8	0.356	3200	0.70	8.40	0.80	47.9	278
JF1238-1HR	B, S			118.7	0.281	2800	0.48	5.76	0.55	43.8	
JF1238-1MR				101.3	0.213	2400	0.32	3.96	0.38	39.1	
JF1238-1LR				84.5	0.155	2000	0.20	2.40	0.21	33.8	
JF1238-1ER				69.6	0.109	1700	0.10	1.20	0.11	29.6	
JF1238B2SR	B	24	20.4 ~ 27.6	135.8	0.356	3200	0.37	8.88	0.45	47.9	
JF1238-2HR	B, S			118.7	0.281	2800	0.31	7.44	0.32	43.8	
JF1238-2MR				101.3	0.213	2400	0.22	5.28	0.23	39.1	
JF1238-2LR				84.5	0.155	2000	0.13	3.12	0.14	33.8	
JF1238-2ER				69.6	0.109	1700	0.09	2.16	0.11	29.6	
JF1238B4SR	B	48	40.8 ~ 55.2	135.8	0.356	3200	0.20	9.60	0.22	47.9	
JF1238B4HR				118.7	0.281	2800	0.13	6.24	0.15	43.8	
JF1238B4MR				101.3	0.213	2400	0.09	4.32	0.11	39.1	
JF1238B4LR				84.5	0.155	2000	0.07	3.36	0.08	33.8	

Specifications subject to change without notice

The 7TH character of Model No means the bearing code. Please refer to the page "PART NUMBER SYSTEM". Please contact us for detail if your request bearing system is not shown in the above list.



DC AXIAL FAN

JAMICON®

120X120X38 mm

JF1238-14 Series



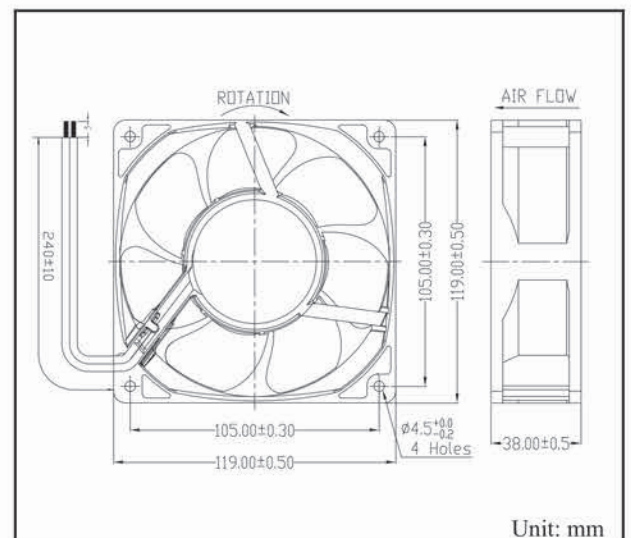
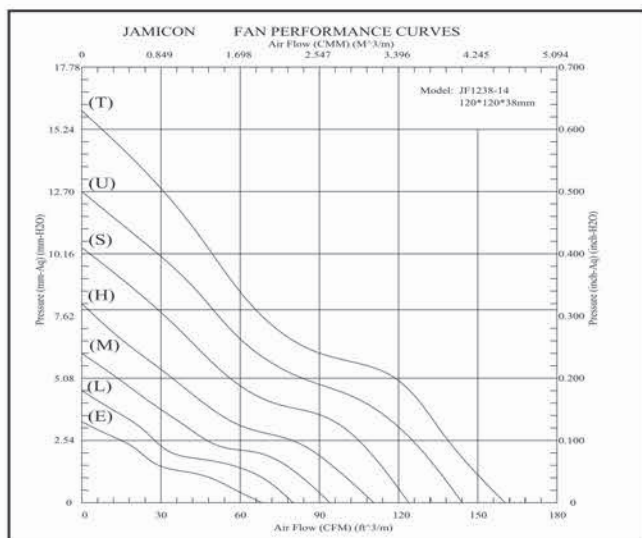
- **Frame** : Plastic Material UL 94V-0
- **Impeller** : Plastic Material UL 94V-0
- **Speed Range** : ±10%

SPECIFICATIONS

Model	Bearing	Rated Voltage (V)	Operating Voltage (V)	Air Flow (CFM)	Static Pressure (inchH ₂ O)	Speed (R.P.M.)	Input Current (Amp)	Input Power (Watt)	Nominal Current (Amp)	Noise (dBA)	Weight (g)
JF1238B1TRAD	B	12	10.2 ~ 13.8	180.72	0.67	4400	1.46	17.52	1.50	56.20	307
JF1238B1TR				163.86	0.63	4000	1.33	15.96	1.50	52.90	
JF1238B1UR				144.13	0.50	3600	0.96	11.52	1.00	50.70	
JF1238B1SR				127.47	0.41	3200	0.76	9.12	0.80	46.70	
JF1238B1HR				110.59	0.32	2800	0.50	0.60	0.55	43.50	
JF1238B1MR				93.97	0.24	2400	0.35	4.20	0.38	40.20	
JF1238B1LR				79.96	0.18	2000	0.19	2.28	0.21	34.10	
JF1238B1ER				68.19	0.13	1700	0.10	1.20	0.11	28.60	
JF1238B2TR	B	24	20.4 ~ 27.6	163.86	0.63	4000	0.60	14.40	0.60	52.90	
JF1238B2UR				144.13	0.50	3600	0.43	10.32	0.46	50.70	
JF1238B2SR				127.47	0.41	3200	0.41	9.84	0.45	46.70	
JF1238B2HR				110.59	0.32	2800	0.30	7.20	0.32	43.50	
JF1238B2MR				93.97	0.24	2400	0.21	5.04	0.23	40.20	
JF1238B2LR				79.96	0.18	2000	0.12	2.88	0.14	34.10	
JF1238B2ER				68.19	0.13	1700	0.09	2.16	0.11	28.60	
JF1238B4TR				B	48	40.8 ~ 55.2	163.86	0.63	4000	0.28	
JF1238B4UR	144.13	0.50	3600				0.23	11.04	0.25	50.70	
JF1238B4SR	127.47	0.41	3200				0.21	10.08	0.22	46.70	
JF1238B4HR	110.59	0.32	2800				0.14	6.72	0.15	43.50	
JF1238B4MR	93.97	0.24	2400				0.09	4.32	0.11	40.20	
JF1238B4LR	79.96	0.18	2000				0.07	3.36	0.08	34.10	

Specifications subject to change without notice

The 7TH character of Model No means the bearing code. Please refer to the page "PART NUMBER SYSTEM". Please contact us for detail if your request bearing system is not shown in the above list.



DC AXIAL FAN

JAMICON®

140X140X25 mm

JF1425-12 Series



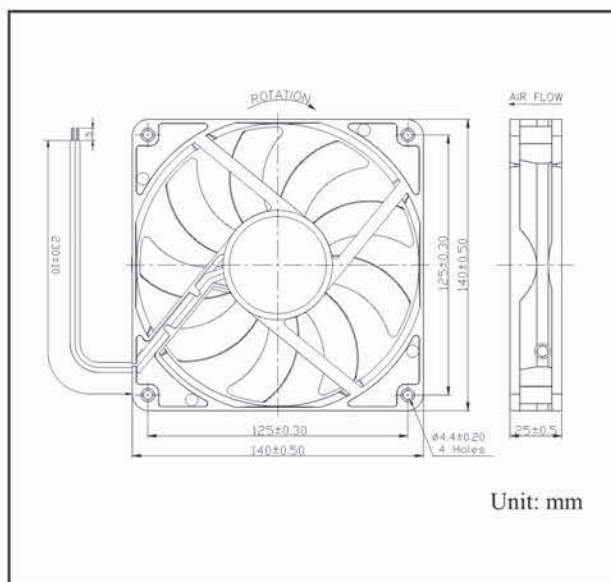
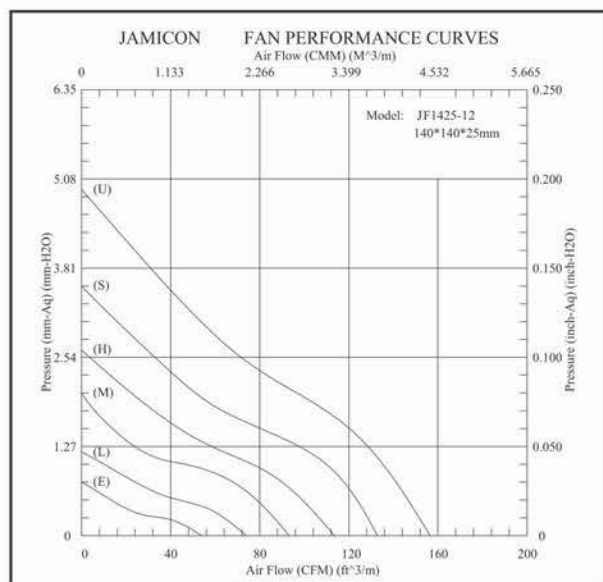
- **Frame** : Plastic Material UL 94V-0
- **Impeller** : Plastic Material UL 94V-0
- **Speed Range** : ±10%

SPECIFICATIONS

Model	Bearing	Rated Voltage (V)	Operating Voltage (V)	Air Flow (CFM)	Static Pressure (inchH ₂ O)	Speed (R.P.M.)	Input Current (Amp)	Input Power (Watt)	Nominal Current (Amp)	Noise (dBA)	Weight (g)
JF1425B1UR	B	12	10.2~13.8	156.48	0.194	2400	0.68	8.16	0.80	45.60	220
JF1425B1SR				131.38	0.140	2100	0.48	5.76	0.60	41.70	
JF1425-1HR	B, S			113.56	0.104	1800	0.36	4.32	0.44	37.10	
JF1425-1M				93.16	0.080	1500	0.21	2.52	0.25	32.10	
JF1425-1L				73.95	0.047	1200	0.13	1.56	0.18	26.50	
JF1425-1E				53.92	0.030	900	0.07	0.84	0.11	20.40	
JF1425B2UR	B	24	20.4~27.6	156.48	0.194	2400	0.36	8.64	0.38	45.60	
JF1425B2SR				131.38	0.140	2100	0.24	5.76	0.26	41.70	
JF1425-2HR	B, S			113.56	0.104	1800	0.23	5.52	0.27	37.10	
JF1425-2M				93.16	0.080	1500	0.14	3.36	0.17	32.10	
JF1425-2L				73.95	0.047	1200	0.10	2.40	0.13	26.50	
JF1425-2E				53.92	0.030	900	0.06	1.44	0.09	20.40	

Specifications subject to change without notice

The 7TH character of Model No means the bearing code. Please refer to the page "PART NUMBER SYSTEM". Please contact us for detail if your request bearing system is not shown in the above list.



Unit: mm

DC AXIAL FAN

JAMICON®

140X140X25 mm

JF1425-01 Series



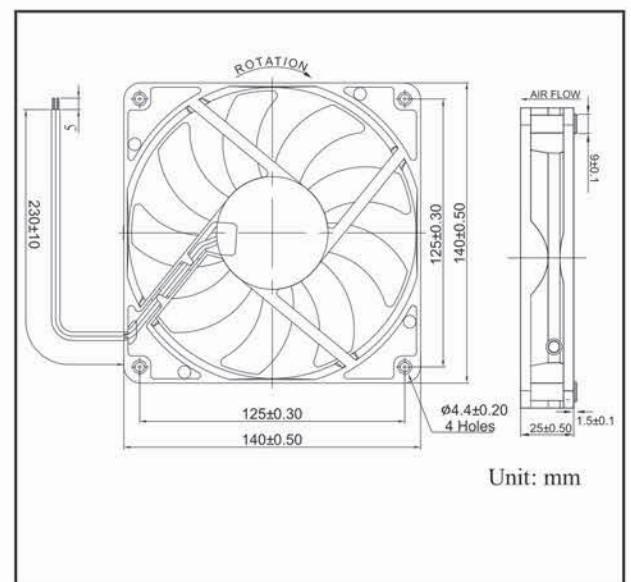
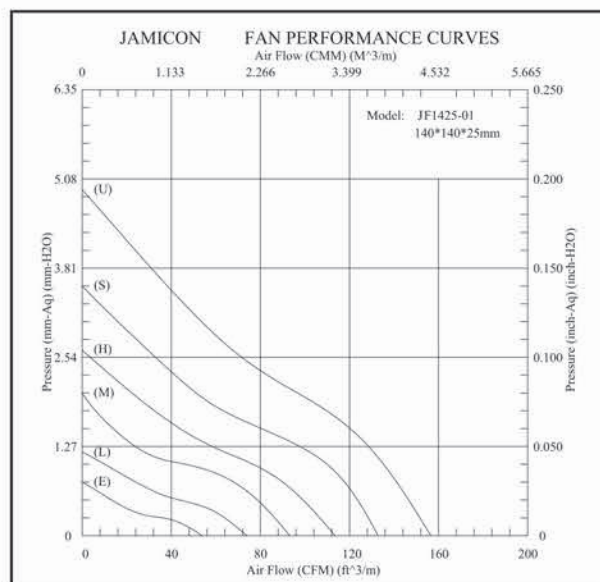
- **Frame** : Plastic Material UL 94V-0
- **Impeller** : Plastic Material UL 94V-0
- **Speed Range** : ±10%

SPECIFICATIONS

Model	Bearing	Rated Voltage (V)	Operating Voltage (V)	Air Flow (CFM)	Static Pressure (inchH ₂ O)	Speed (R.P.M.)	Input Current (Amp)	Input Power (Watt)	Nominal Current (Amp)	Noise (dBA)	Weight (g)
JF1425B1UR	B	12	10.2~13.8	156.48	0.194	2400	0.68	8.16	0.80	45.60	220
JF1425B1SR				131.38	0.140	2100	0.48	5.76	0.60	41.70	
JF1425-1HR	B, S			113.56	0.104	1800	0.36	4.32	0.44	37.10	
JF1425-1M				93.16	0.080	1500	0.21	2.52	0.25	32.10	
JF1425-1L				73.95	0.047	1200	0.13	1.56	0.18	26.50	
JF1425-1E				53.92	0.030	900	0.07	0.84	0.11	20.40	
JF1425B2UR	B	24	20.4~27.6	156.48	0.194	2400	0.36	8.64	0.38	45.60	
JF1425B2SR				131.38	0.140	2100	0.24	5.76	0.26	41.70	
JF1425-2HR	B, S			113.56	0.104	1800	0.23	5.52	0.27	37.10	
JF1425-2M				93.16	0.080	1500	0.14	3.36	0.17	32.10	
JF1425-2L				73.95	0.047	1200	0.10	2.40	0.13	26.50	
JF1425-2E				53.92	0.030	900	0.06	1.44	0.09	20.40	

Specifications subject to change without notice

The 7TH character of Model No means the bearing code. Please refer to the page "PART NUMBER SYSTEM". Please contact us for detail if your request bearing system is not shown in the above list.



DC AXIAL FAN

JAMICON®

140X140X25 mm

KF1425-11 Series



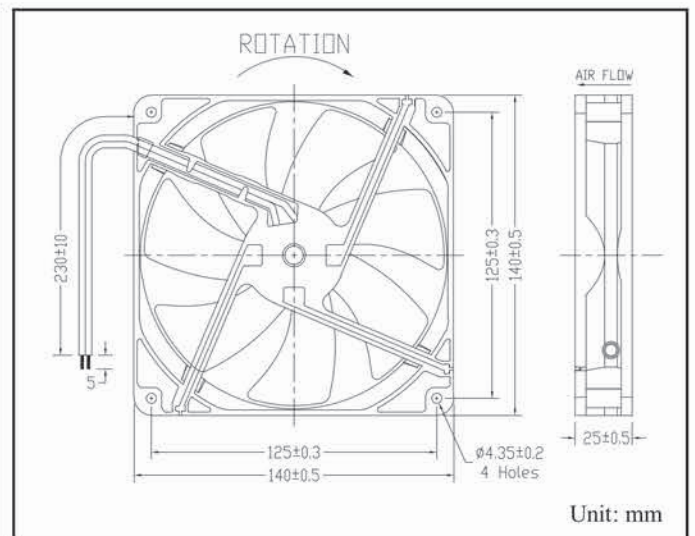
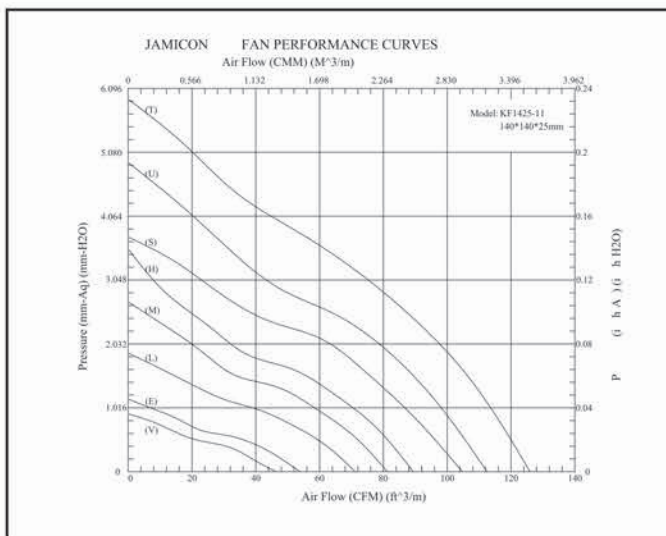
- Frame : Plastic Material UL 94V-0
- Impeller : Plastic Material UL 94V-0
- Speed Range : ±10%

SPECIFICATIONS

Model	Bearing	Rated Voltage (V)	Operating Voltage (V)	Air Flow (CFM)	Static Pressure (inchH ₂ O)	Speed (R.P.M.)	Input Current (Amp)	Input Power (Watt)	Nominal Current (Amp)	Noise (dBA)	Weight (g)
KF1425B1TR	B	12	10.2 ~ 13.8	125.61	0.233	2800	0.54	6.48	0.65	46.4	176
KF1425B1UR				112.14	0.193	2500	0.48	5.76	0.58	43.4	
KF1425B1SR				104.41	0.147	2300	0.41	4.92	0.49	40.0	
KF1425-1H	B, S			89.04	0.139	2000	0.28	3.36	0.34	36.2	
KF1425-1M				80.92	0.106	1800	0.20	2.40	0.24	32.6	
KF1425-1L				70.83	0.074	1600	0.15	1.80	0.18	29.7	
KF1425-1E				53.50	0.045	1200	0.08	0.96	0.10	21.1	
KF1425-1V				46.01	0.036	1000	0.06	0.72	0.07	17.1	

Specifications subject to change without notice

The 7TH character of Model No means the bearing code. Please refer to the page "PART NUMBER SYSTEM". Please contact us for detail if your request bearing system is not shown in the above list.



DC AXIAL FAN

JAMICON®

200X200X30 mm

DF2030-11 Series



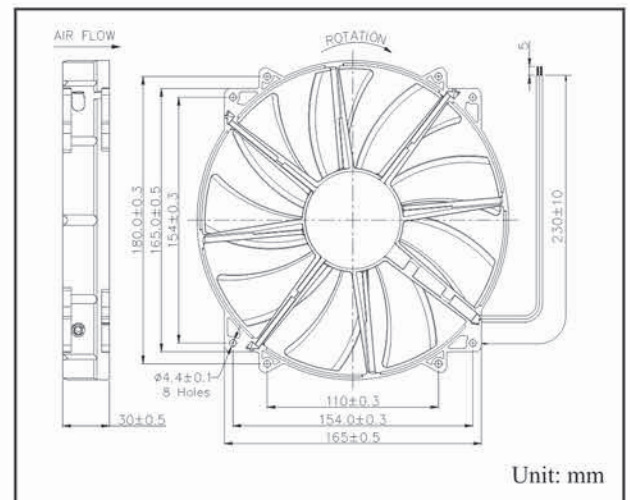
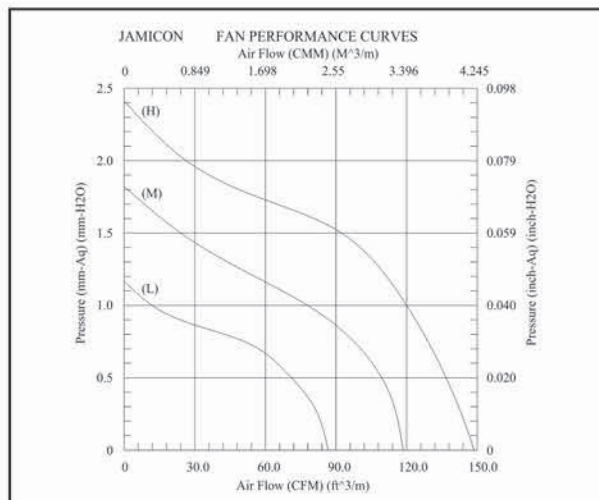
- **Frame** : Plastic Material UL 94V-0
- **Impeller** : Plastic Material UL 94V-0
- **Speed Range** : ±10%

SPECIFICATIONS

Model	Bearing	Rated Voltage (V)	Operating Voltage (V)	Air Flow (CFM)	Static Pressure (inchH ₂ O)	Speed (R.P.M.)	Input Current (Amp)	Input Power (Watt)	Nominal Power (Watt)	Noise (dBA)	Weight (g)
DF2030-1HR	B,S H,F	12	10.2~13.8	148.66	0.095	1200	0.60	7.20	7.20	31.6	300
DF2030-1MR				118.52	0.072	900	0.42	5.04	5.04	25.3	
DF2030-1LR				86.66	0.046	700	0.30	3.60	3.60	21.8	

Specifications subject to change without notice

The 7TH character of Model No means the bearing code. Please refer to the page "PART NUMBER SYSTEM". Please contact us for detail if your request bearing system is not shown in the above list.



DC BLOWER FAN

JAMICON®

50x50x15mm

WF5015-11 Series

- Frame : Plastic Material UL 94V-0
- Impeller : Plastic Material UL 94V-0
- Speed Range : ±10%

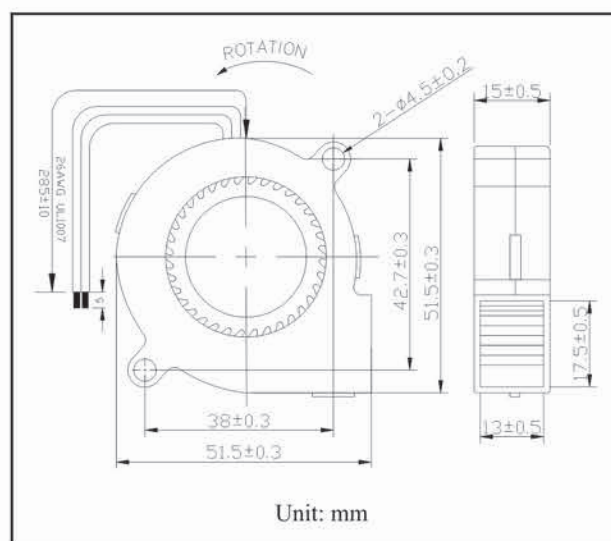
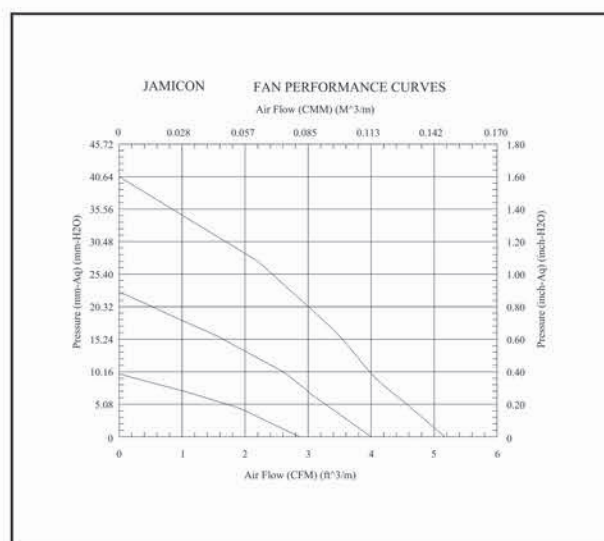


SPECIFICATIONS

Model	Bearing	Rated Voltage (V)	Operating Voltage (V)	Air Flow (CFM)	Static Pressure (inchH ₂ O)	Speed (R.P.M.)	Input Current (Amp)	Input Power (Watt)	Nominal Current (Amp)	Noise (dBA)	Weight (g)
WF5015-1H	B,S	12	10.2~13.8	5.17	1.596	7000	0.30	3.60	0.48	46	27
WF5015-1M				3.98	0.891	5500	0.20	2.40	0.32	42	
WF5015-1L				2.83	0.386	4000	0.10	1.20	0.22	33	

Specifications subject to change without notice

The 7TH character of Model No means the bearing code. Please refer to the page "PART NUMBER SYSTEM". Please contact us for detail if your request bearing system is not shown in the above list.



DC BLOWER FAN

JAMICON®

75x75x30mm

WF7530-11 Series



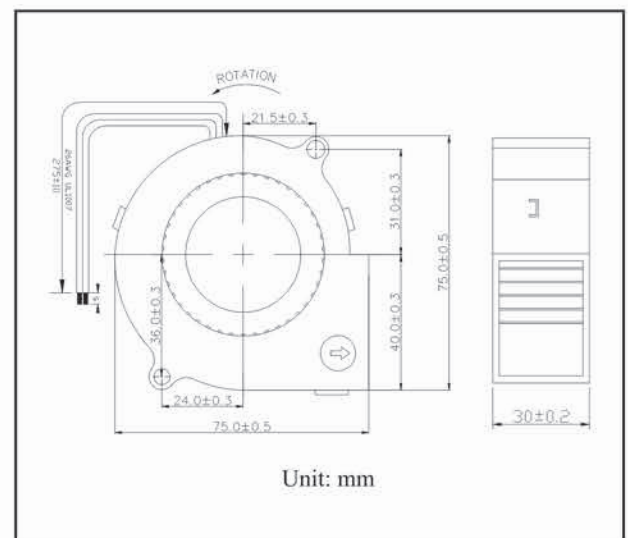
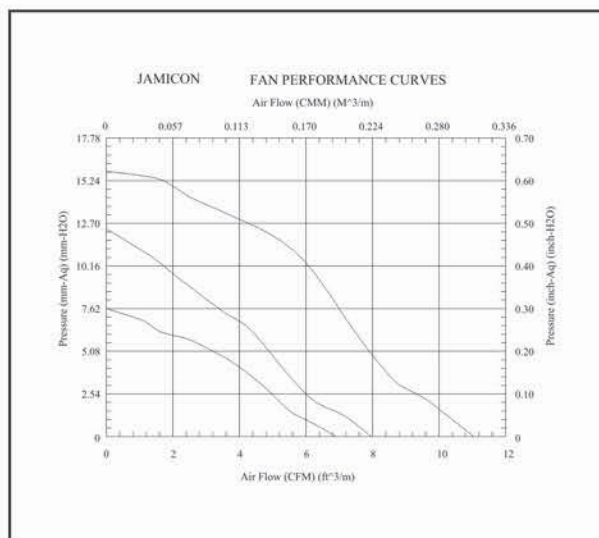
- **Frame** : Plastic Material UL 94V-0
- **Impeller** : Plastic Material UL 94V-0
- **Speed Range** : ±10%

SPECIFICATIONS

Model	Bearing	Rated Voltage (V)	Operating Voltage (V)	Air Flow (CFM)	Static Pressure (inchH ₂ O)	Speed (R.P.M.)	Input Current (Amp)	Input Power (Watt)	Nominal Current (Amp)	Noise (dBA)	Weight (g)
WF7530-1H	B,S	12	10.2~13.8	11.03	0.621	3800	0.50	6.00	0.55	44	70
WF7530-1M				7.96	0.487	3000	0.28	3.36	0.40	38	
WF7530-1L				6.94	0.297	2500	0.18	2.16	0.25	35	

Specifications subject to change without notice

The 7TH character of Model No means the bearing code. Please refer to the page "PART NUMBER SYSTEM". Please contact us for detail if your request bearing system is not shown in the above list.



DC BLOWER FAN

JAMICON®

97x94x33mm

WF9733-11 Series



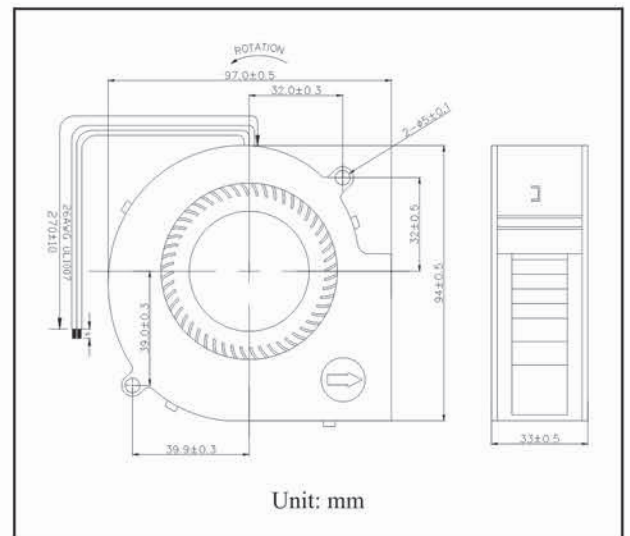
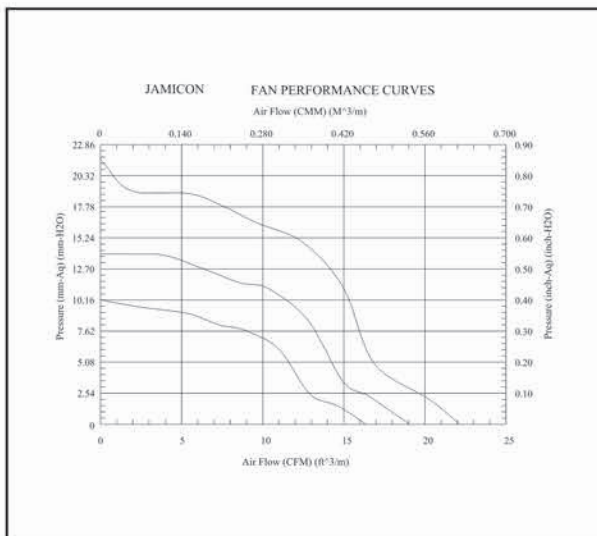
- Frame : Plastic Material UL 94V-0
- Impeller : Plastic Material UL 94V-0
- Speed Range : ±10%

SPECIFICATIONS

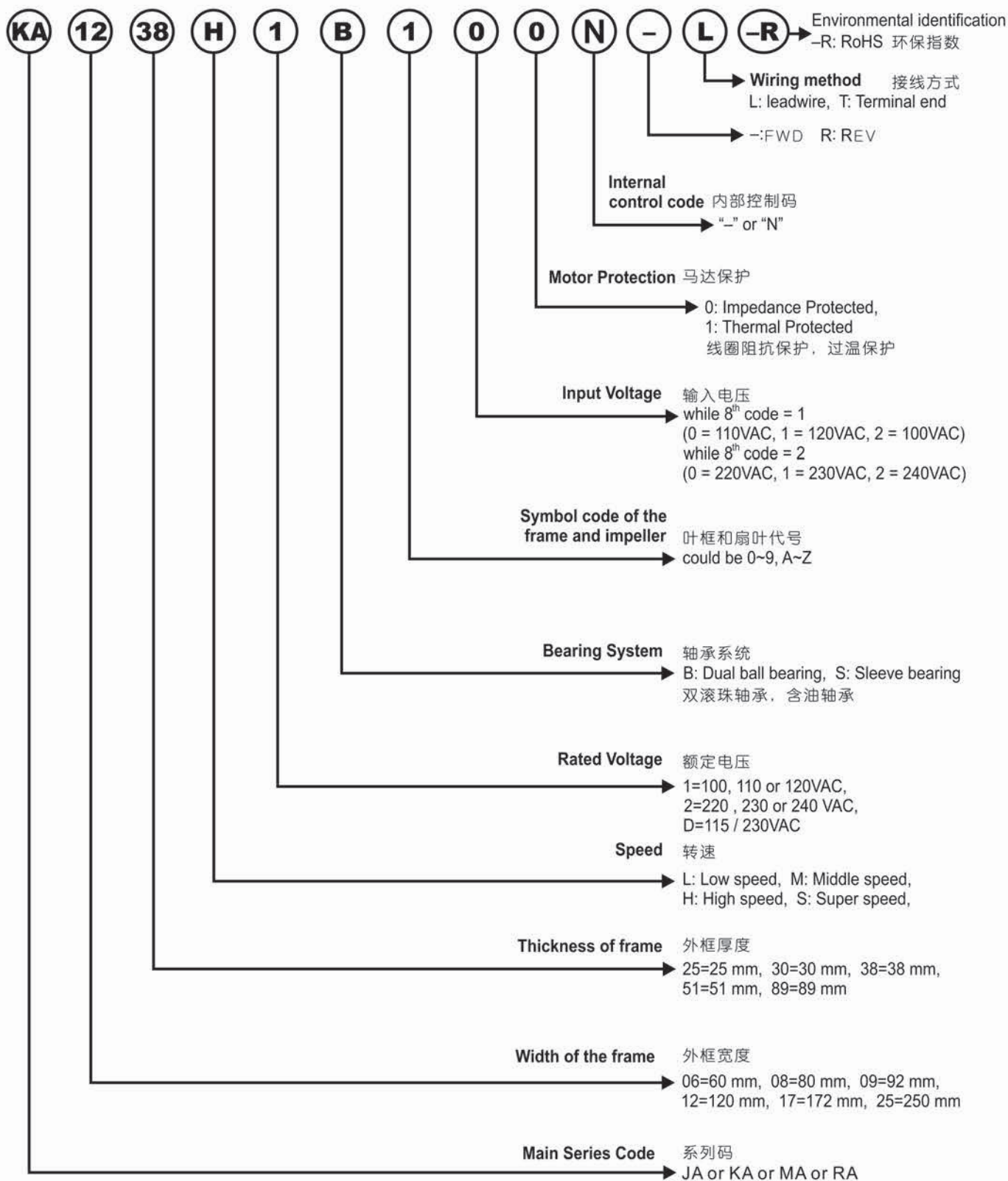
Model	Bearing	Rated Voltage (V)	Operating Voltage (V)	Air Flow (CFM)	Static Pressure (inchH ₂ O)	Speed (R.P.M.)	Input Current (Amp)	Input Power (Watt)	Nominal Current (Amp)	Noise (dBA)	Weight (g)
WF9733-1H	B,S	12	10.2~13.8	22.32	0.851	4000	0.55	6.60	0.56	60	150
WF9733-1M				19.06	0.549	3500	0.40	4.80	0.40	55	
WF9733-1L				16.37	0.402	3000	0.25	3.00	0.25	50	

Specifications subject to change without notice

The 7TH character of Model No means the bearing code. Please refer to the page "PART NUMBER SYSTEM". Please contact us for detail if your request bearing system is not shown in the above list.



Part Number System of AC Axial fan



General Specifications 基本規格

- | | | |
|---|---------|-------------------------------------|
| 1. Operating Temperature : -10°C~70°C (Ordinary humidity). | 工作溫度 | 一般濕度 |
| 2. Storage Temperature : -40°C~70°C (Ordinary humidity). | 儲存溫度 | |
| 3. Insulation Resistance : 100M Ohm minimum at DC 500 V. | 絕緣阻抗 | |
| 4. Dielectric Strength : 1500 VAC for 1 sec
(<0.5 mA allowable, between lead and housing). | 耐電壓強度 | (端子到外框) |
| 5. Life: at ambient temperature 25°C and humidity 65%
• Dual Ball bearing : 50,000 hours | 壽命: | 在環境溫度25° C和濕度65%下
雙滾珠軸承: 50000小時 |
| 6. Locked Rotor Protection: Impedance protected. | 扇葉鎖住保護: | 阻抗保護 |
| 7. Insulation Class : UL Class A | 絕緣級別: | UL級別A |

AC FAN

JAMICON®

80X80X25 mm

JA0825-0N Series

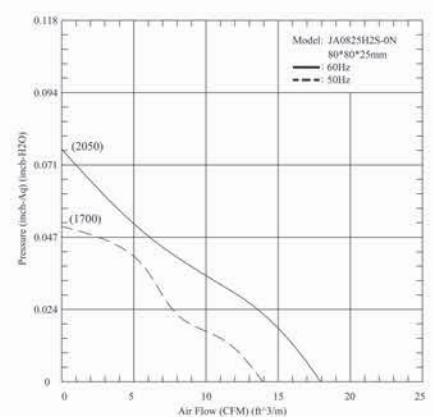
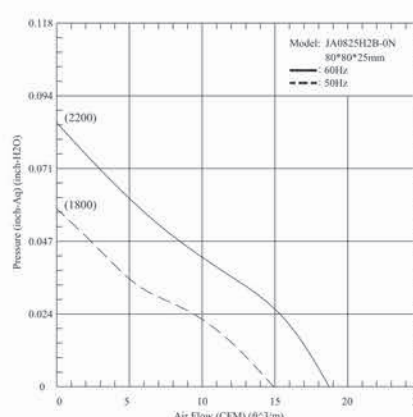
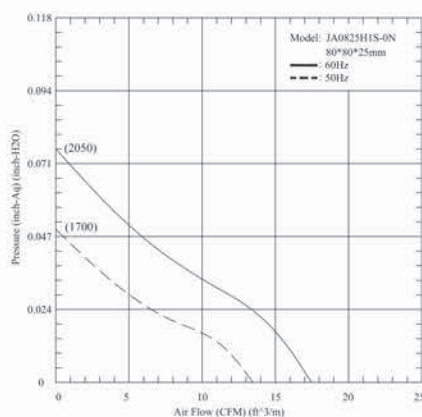
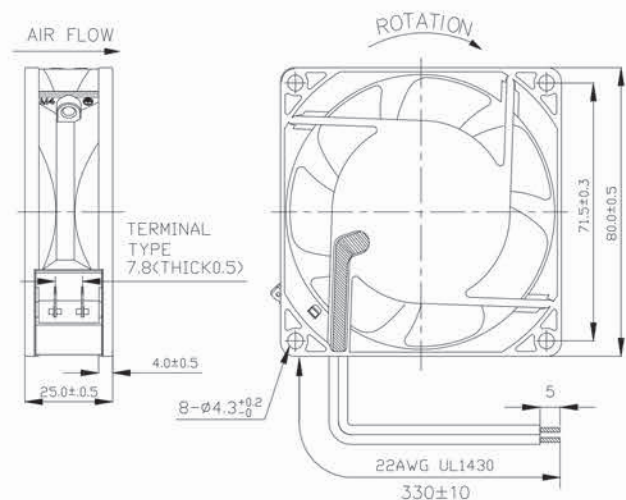
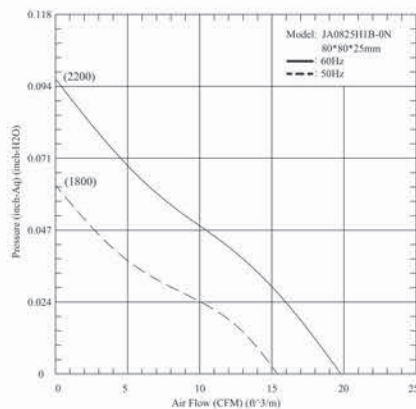


- **Motor** : Two-pole shaded pole induction motor
- **Frame** : Aluminum Alloy, Painted black
- **Impeller** : Retardant thermoplastic in black color, rated UL94V-0
- **Speed Range** : ±10%
- **Impedance protected**

SPECIFICATIONS

Model	Bearing	Nominal Voltage (V)	Frequency (Hz)	Air Flow (CFM)	Static Pressure (inchH ₂ O)	Speed (R.P.M.)	Nominal Current (Amp)	Input Power (Watt)	Noise (dBA)	Weight (g)
JA0825H1B0N	B	110 - 120	50	15.39	0.063	1800	0.11	10	19.6	195
JA0825H1S0N	S		60	19.79	0.098	2200		8	24.7	
			50	13.46	0.050	1700		10	15.2	
JA0825H2B0N	B		220 - 240	60	17.45	0.076		2050	8	
		50		14.91	0.059	1800	10	19.7		
JA0825H2S0N	S	60		18.72	0.087	2200	8	23.1		
		50		13.93	0.052	1700	10	16.6		
			60	17.94	0.077	2050	8	21.9		

Specifications subject to change without notice



AC FAN

JAMICON®

80x80x25 mm

RA0825-3N Series



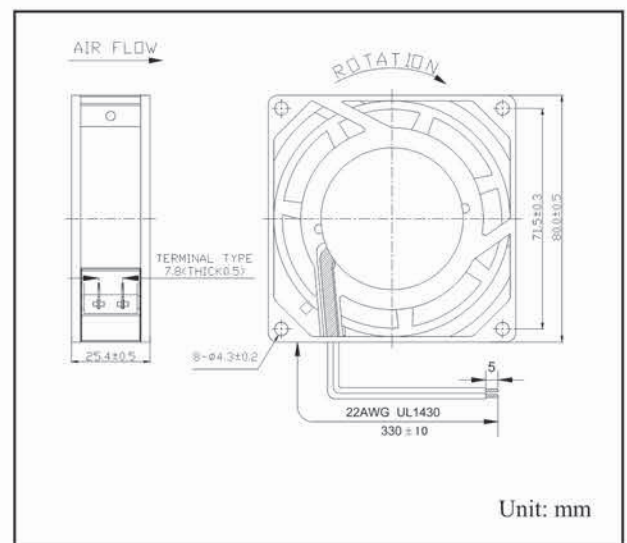
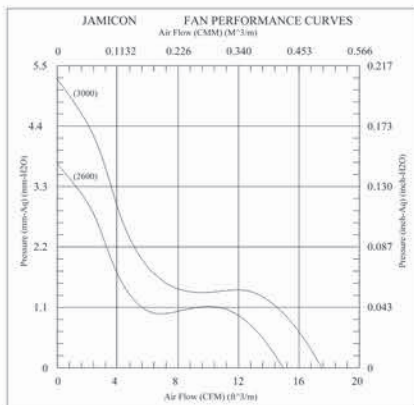
- **Motor** : Two-pole shaded pole induction motor
- **Frame** : Aluminum Alloy, Painted black
- **Impeller** : Retardant thermoplastic in black color, rated UL94V-0
- **Speed Range** : ±10%
- **Impedance protected**

SPECIFICATIONS

Model	Bearing	Nominal Voltage (V)	Frequency (Hz)	Air Flow (CFM)	Static Pressure (inchH ₂ O)	Speed (R.P.M.)	Nominal Current (Amp)	Input Power (Watt)	Noise (dBA)	Weight (g)
RA0825H2-3N	B,S	220	50	14.95	0.146	2600	0.07	13	31.5	235
			60	17.52	0.207	3000	0.06	10	35.5	
RA0825H1-3N		110	50	14.95	0.146	2600	0.14	12	31.5	
			60	17.52	0.207	3000	0.12	9	35.5	

Specifications subject to change without notice

The 7TH character of Model No means the bearing code. Please refer to the page "PART NUMBER SYSTEM".
Please contact us for detail if your request bearing system is not shown in the above list.



AC FAN

JAMICON®

80X80X38 mm

JA0838-ON Series

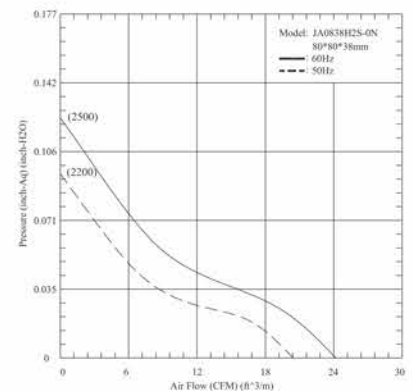
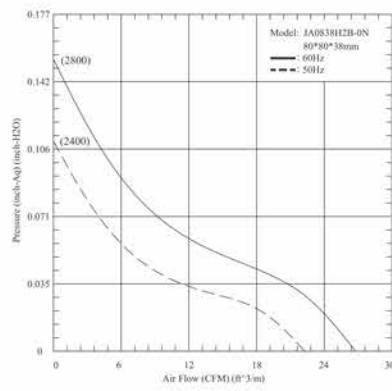
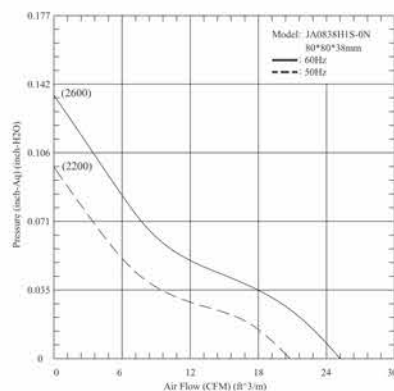
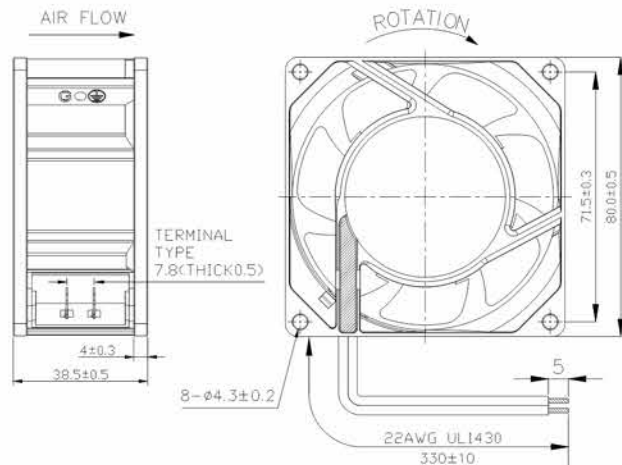
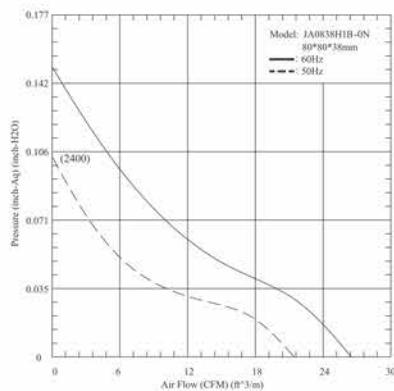


- **Motor** : Two-pole shaded pole induction motor
- **Frame** : Aluminum Alloy, Painted black
- **Impeller** : Retardant thermoplastic in black color, rated UL94V-0
- **Speed Range** : ±10%
- **Impedance protected**

SPECIFICATIONS

Model	Bearing	Nominal Voltage (V)	Frequency (Hz)	Air Flow (CFM)	Static Pressure (inchH ₂ O)	Speed (R.P.M.)	Nominal Current (Amp)	Input Power (Watt)	Noise (dBA)	Weight (g)
JA0838H1B0N	B	110 - 120	50	21.42	0.102	2400	0.17	13	25.2	285
JA0838H1S0N	S		60	26.46	0.149	2800		10	32.1	
			50	20.78	0.098	2200		13	24.4	
JA0838H2B0N	B		60	25.19	0.134	2600		10	30.0	
		50	22.25	0.109	2400	12	26.3			
JA0838H2S0N	S	60	26.74	0.152	2800	9	31.9			
		50	20.44	0.094	2200	12	24.2			
			60	24.19	0.122	2500	9	28.2		

Specifications subject to change without notice



AC FAN

JAMICON®

80x80x38 mm

RA0838-1N Series



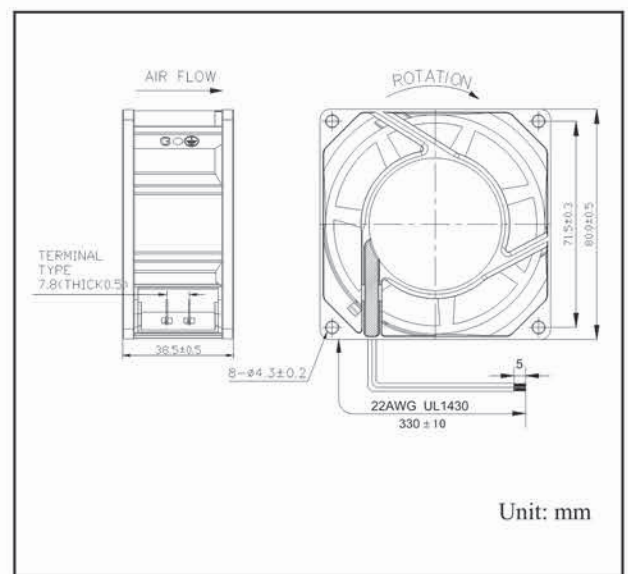
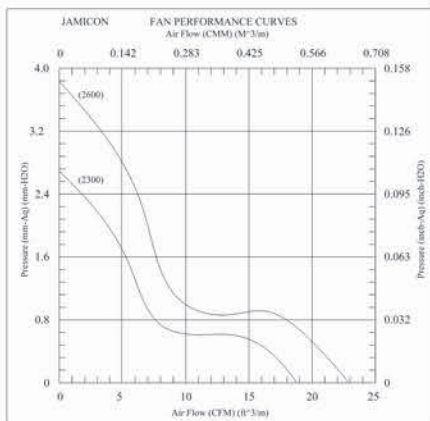
- **Motor** : Two-pole shaded pole induction motor
- **Frame** : Aluminum Alloy, Painted black
- **Impeller** : Retardant thermoplastic in black color, rated UL94V-0
- **Speed Range** : ±10%
- **Impedance protected**

SPECIFICATIONS

Model	Bearing	Nominal Voltage (V)	Frequency (Hz)	Air Flow (CFM)	Static Pressure (inchH ₂ O)	Speed (R.P.M.)	Nominal Current (Amp)	Input Power (Watt)	Noise (dBA)	Weight (g)
RA0838H2-1N	B,S	220	50	18.80	0.106	2300	0.08	9	31	310
60			22.92	0.151	2600	0.06	7	33.5		
RA0838H1-1N		110	50	18.80	0.106	2300	0.13	7	31	
			60	22.92	0.151	2600	0.10	5	33.5	

Specifications subject to change without notice

The 7TH character of Model No means the bearing code. Please refer to the page "PART NUMBER SYSTEM". Please contact us for detail if your request bearing system is not shown in the above list.



AC FAN

JAMICON®

92X92X25 mm

JA0925-0N Series

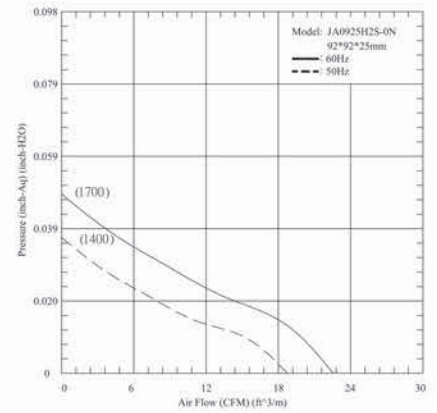
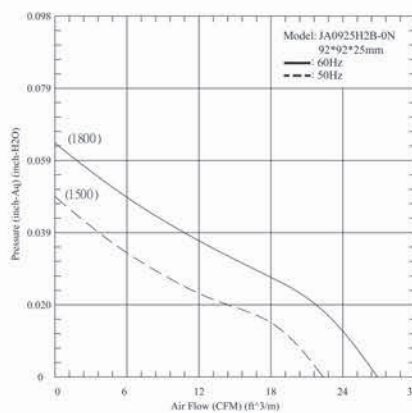
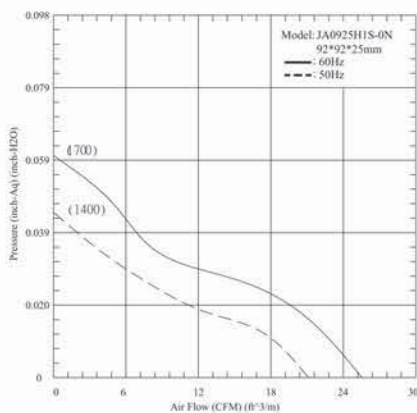
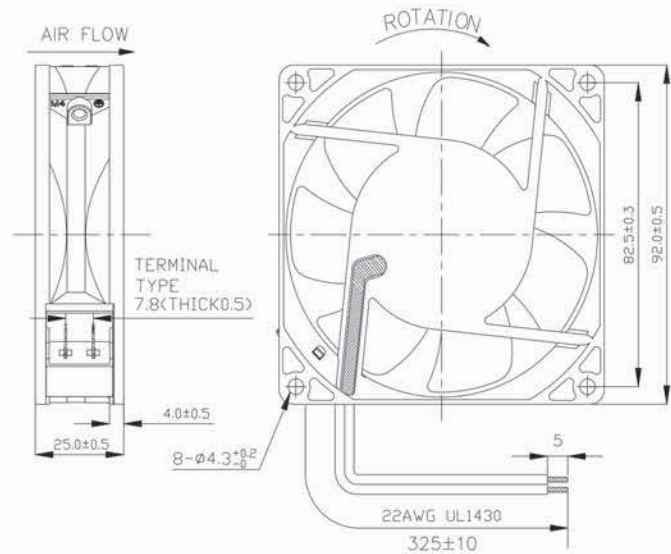
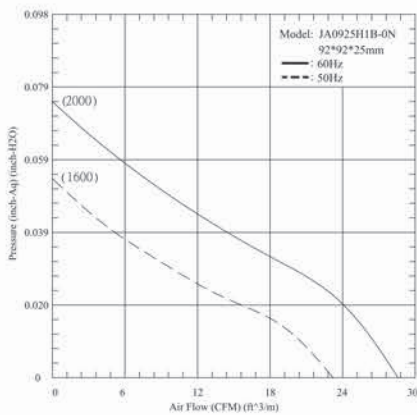


- **Motor** : Two-pole shaded pole induction motor
- **Frame** : Aluminum Alloy, Painted black
- **Impeller** : Retardant thermoplastic in black color, rated UL94V-0
- **Speed Range** : ±10%
- **Impedance protected**

SPECIFICATIONS

Model	Bearing	Nominal Voltage (V)	Frequency (Hz)	Air Flow (CFM)	Static Pressure (inchH ₂ O)	Speed (R.P.M.)	Nominal Current (Amp)	Input Power (Watt)	Noise (dBA)	Weight (g)
JA0925H1B0N	B	110 - 120	50	23.24	0.054	1600	0.11	10	20.3	205
			60	28.59	0.075	2000		8	24.9	
JA0925H1S0N	S		50	19.7	0.041	1400		10	15.1	
			60	23.19	0.053	1700		8	21.9	
JA0925H2B0N	B	220 - 240	50	21.37	0.046	1500	0.05	10	16.3	
			60	25.78	0.059	1800		8	24.7	
JA0925H2S0N	S		50	18.71	0.037	1400		10	16.3	
			60	22.56	0.049	1700		8	20.7	

Specifications subject to change without notice



AC FAN

JAMICON®

92x92x25 mm

RA0925-1N Series



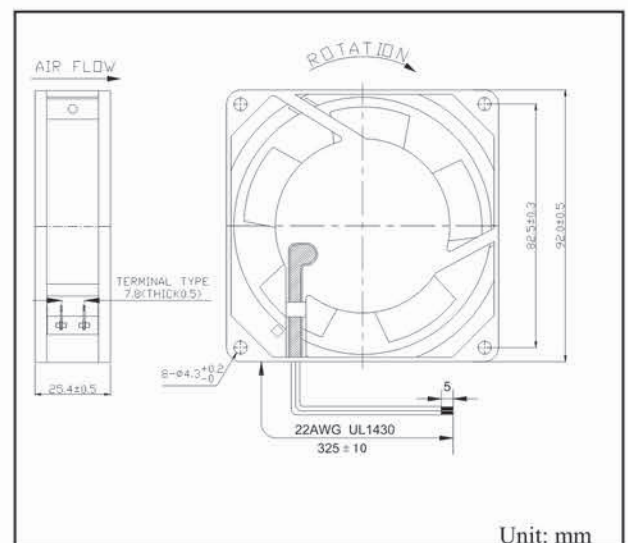
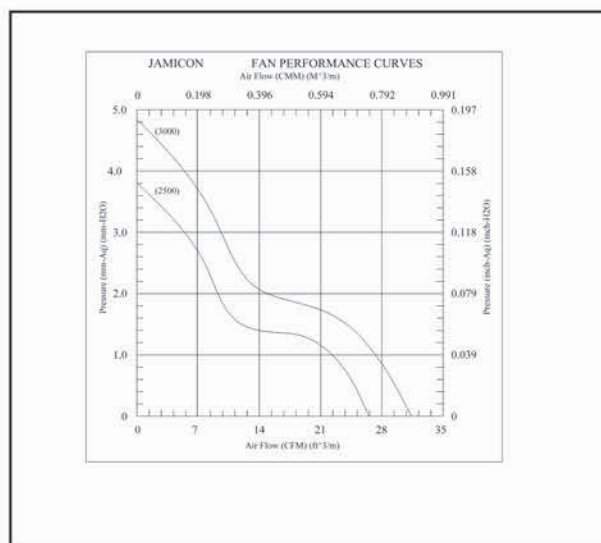
- **Motor** : Two-pole shaded pole induction motor
- **Frame** : Aluminum Alloy, Painted black
- **Impeller** : Retardant thermoplastic in black color, rated UL94V-0
- **Speed Range** : ±10%
- **Impedance protected**

SPECIFICATIONS

Model	Bearing	Nominal Voltage (V)	Frequency (Hz)	Air Flow (CFM)	Static Pressure (inchH ₂ O)	Speed (R.P.M.)	Nominal Current (Amp)	Input Power (Watt)	Noise (dBA)	Weight (g)
RA0925H2-1N	B,S	220	50	26.52	0.150	2500	0.07	13	37	245
			60	31.38	0.191	3000	0.06	10	41.5	
RA0925H1-1N		110	50	26.52	0.150	2500	0.14	12	37	
			60	31.38	0.191	3000	0.11	9	41.5	

Specifications subject to change without notice

The 7TH character of Model No means the bearing code. Please refer to the page "PART NUMBER SYSTEM". Please contact us for detail if your request bearing system is not shown in the above list.



Unit: mm

AC FAN

JAMICON®

92x92x38 mm

RA0938-1N Series

- **Motor** : Two-pole shaded pole induction motor
- **Frame** : Aluminum Alloy, Painted black
- **Impeller** : Retardant thermoplastic in black color, rated UL94V-0
- **Speed Range** : ±10%
- **Impedance protected**

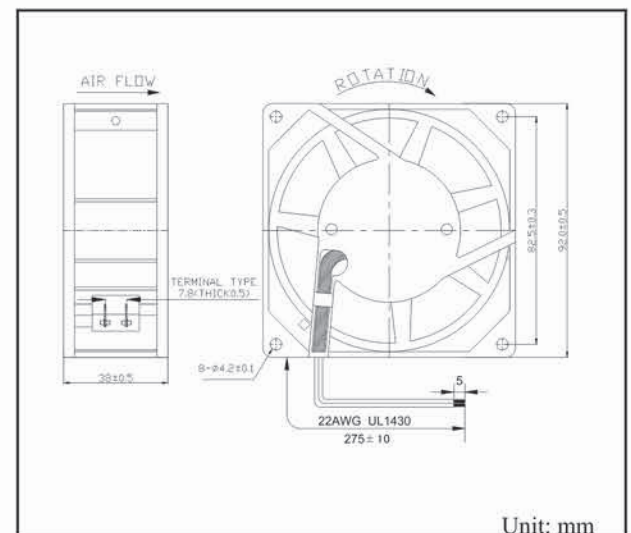
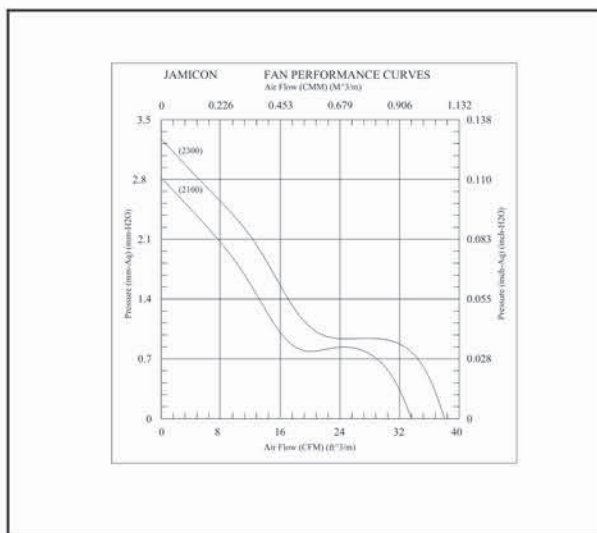


SPECIFICATIONS

Model	Bearing	Nominal Voltage (V)	Frequency (Hz)	Air Flow (CFM)	Static Pressure (inchH ₂ O)	Speed (R.P.M.)	Nominal Current (Amp)	Input Power (Watt)	Noise (dBA)	Weight (g)
RA0938H2-1N	B,S	220	50	33.61	0.111	2100	0.07	9	31	340
			60	38.04	0.129	2300	0.06	7	33	
RA0938H1-1N		110	50	33.61	0.111	2100	0.12	7	31	
			60	38.04	0.129	2300	0.15	6	31	

Specifications subject to change without notice

The 7TH character of Model No means the bearing code. Please refer to the page "PART NUMBER SYSTEM". Please contact us for detail if your request bearing system is not shown in the above list.



Unit: mm

120X120X25 mm

JA1225-0N Series

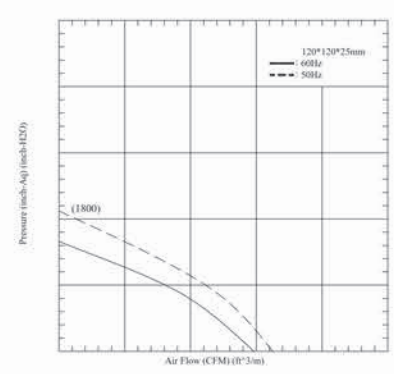
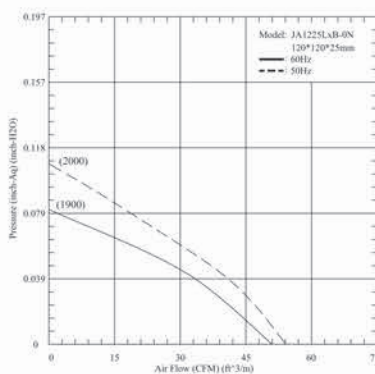
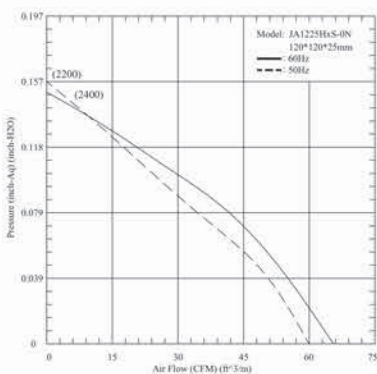
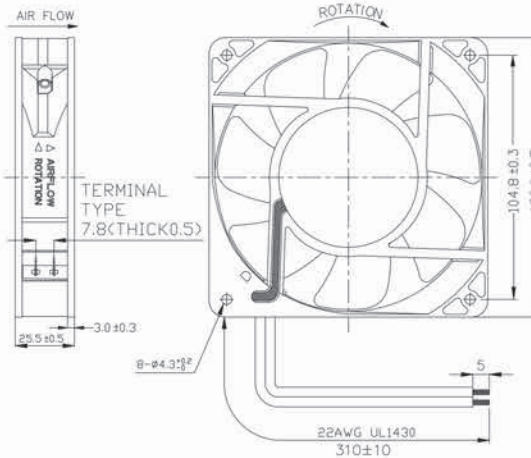
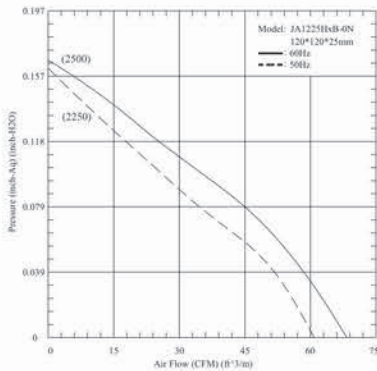


- **Motor** : Two-pole shaded pole induction motor
- **Frame** : Aluminum Alloy, Painted black
- **Impeller** : Retardant thermoplastic in black color, rated UL94V-0
- **Speed Range** : ±10%
- **Impedance protected**

SPECIFICATIONS

Model	Bearing	Nominal Voltage (V)	Frequency (Hz)	Air Flow (CFM)	Static Pressure (inchH ₂ O)	Speed (R.P.M.)	Nominal Current (Amp)	Input Power (Watt)	Noise (dBA)	Weight (g)	
JA1225H1B0N	B	110 - 120	50	60.82	0.162	2250	0.18	18	39.4	325	
			60	68.26	0.167	2500			15		42.5
JA1225L1B0N			50	54.09	0.107	2000	0.10	10	36.3		
			60	50.92	0.080	1900			9		35.0
JA1225H1S0N	S		110 - 120	50	59.96	0.157	2200	0.18	18		39.2
				60	65.49	0.151	2400				15
JA1225L1S0N				50	48.76	0.083	1800	0.10	10		33.5
				60	44.47	0.065	1650				9
JA1225H2B0N	B	220 - 240		50	60.82	0.162	2250	0.09	17		39.4
				60	68.26	0.167	2500				15
JA1225L2B0N				50	54.09	0.107	2000	0.05	10		36.3
				60	50.92	0.080	1900				9
JA1225H2S0N	S		220 - 240	50	59.96	0.157	2200	0.09	17	39.2	
				60	65.49	0.151	2400			15	41.8
JA1225L2S0N				50	48.76	0.083	1800	0.05	10	33.5	
				60	44.47	0.065	1650			9	30.3

Specifications subject to change without notice



AC FAN

JAMICON®

120x120x25mm

RA1225-3N Series

- **Motor** : Two-pole shaded pole induction motor
- **Frame** : Aluminum Alloy, Painted black
- **Impeller** : Retardant thermoplastic in black color, rated UL94V-0
- **Speed Range** : ±10%
- **Impedance protected**

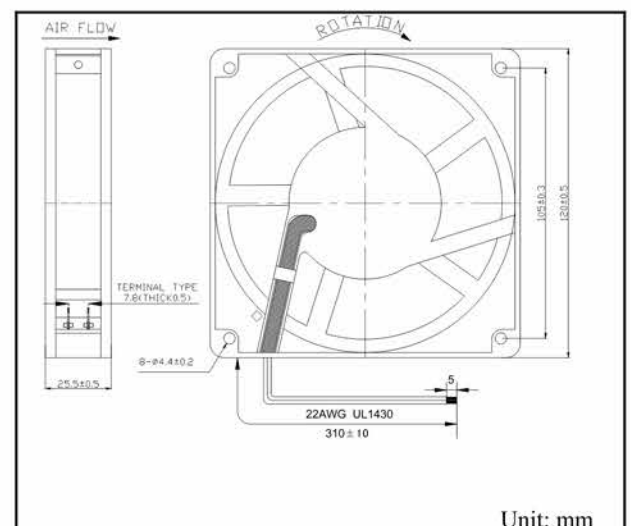
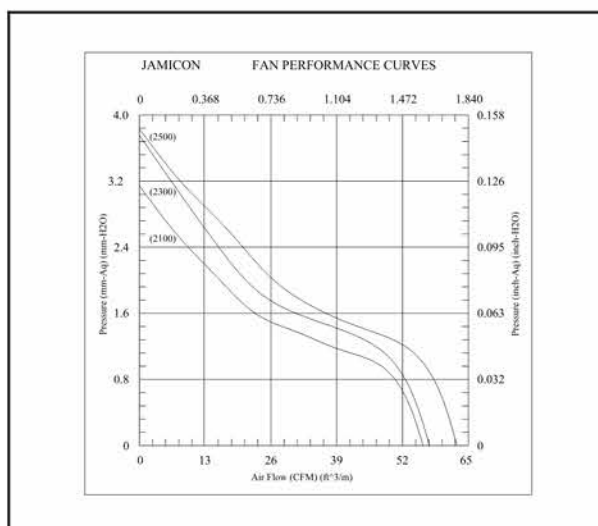


SPECIFICATIONS

Model	Bearing	Nominal Voltage (V)	Frequency (Hz)	Air Flow (CFM)	Static Pressure (inchH ₂ O)	Speed (R.P.M.)	Nominal Current (Amp)	Input Power (Watt)	Noise (dBA)	Weight (g)
RA1225H2-3N	B,S	220	50	57.21	0.148	2300	0.09	17	46	320
			60	62.76	0.151	2500	0.08	13	48	
RA1225H1-3N		110	50	56.07	0.124	2100	0.15	13	43	
			60	57.21	0.148	2300	0.13	11	46	

Specifications subject to change without notice

The 7TH character of Model No means the bearing code. Please refer to the page "PART NUMBER SYSTEM". Please contact us for detail if your request bearing system is not shown in the above list.



Unit: mm

AC FAN

JAMICON®

120X120X38 mm

JA1238-0N Series



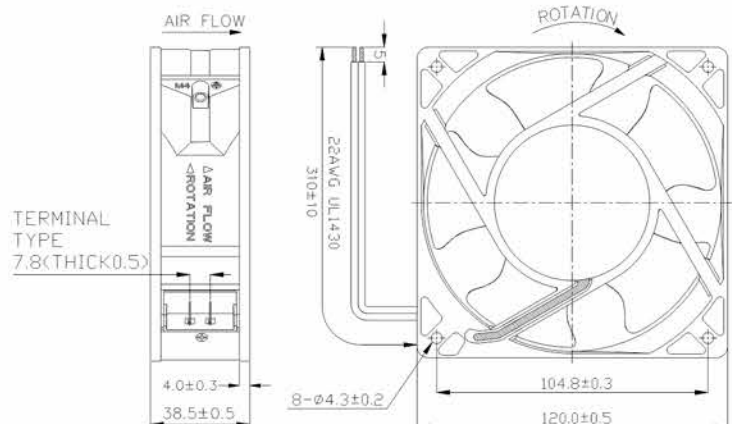
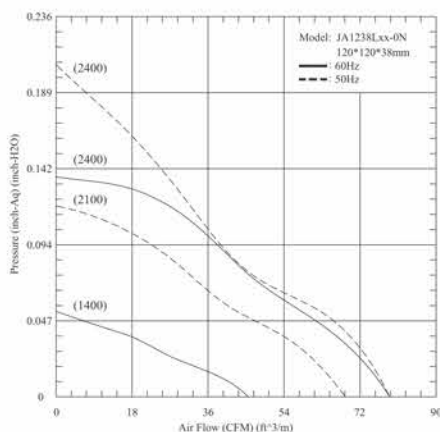
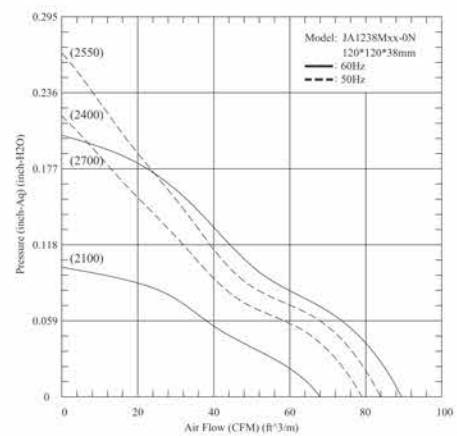
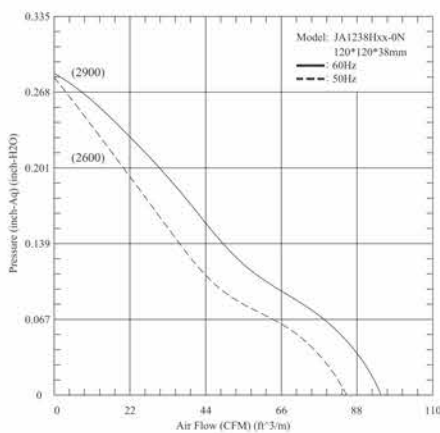
- **Motor** : Two-pole shaded pole induction motor
- **Frame** : Aluminum Alloy, Painted black
- **Impeller** : Retardant thermoplastic in black color, rated UL94V-0
- **Speed Range** : ±10%
- **Impedance protected**

SPECIFICATIONS

Model	Bearing	Nominal Voltage (V)	Frequency (Hz)	Air Flow (CFM)	Static Pressure (inchH ₂ O)	Speed (R.P.M.)	Nominal Current (Amp)	Input Power (Watt)	Noise (dBA)	Weight (g)
JA1238H1-0N	B, S	110-120	50	85	0.281	2600	0.27	18	45	510
			60	95	0.284	2900			15	
JA1238M1-0N	B, S		50	83	0.267	2550	0.20	16	44	
			60	89	0.203	2700			14	
JA1238L1-0N	B, S	220-240	50	79	0.206	2400	0.16	15	42	
			60	79	0.137	2400			14	
JA1238H2-0N	B, S		50	85	0.281	2600	0.13	20	45	
			60	95	0.284	2900			17	
JA1238M2-0N	B, S	50	79	0.206	2400	0.09	13	42		
		60	68	0.101	2100			12	37	
JA1238L2-0N	B, S	115/230	50	68	0.119	2100	0.07	10	37	
			60	45	0.053	1400			9	
JA1238HD-0N	B, S		50	85	0.281	2600	0.25/0.13	19	45	
			60	95	0.284	2900			16	47

Specifications subject to change without notice

The 9TH character of Model No means the bearing code. Please refer to the page "AC FAN PART NUMBER SYSTEM".



AC FAN

JAMICON®

120X120X38 mm

KA1238-1N Series

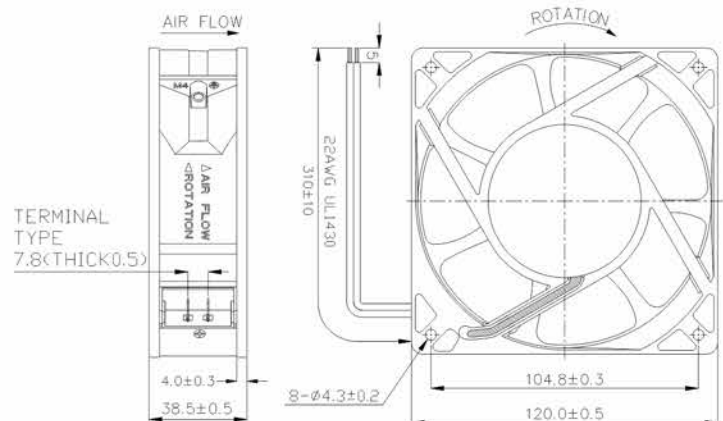
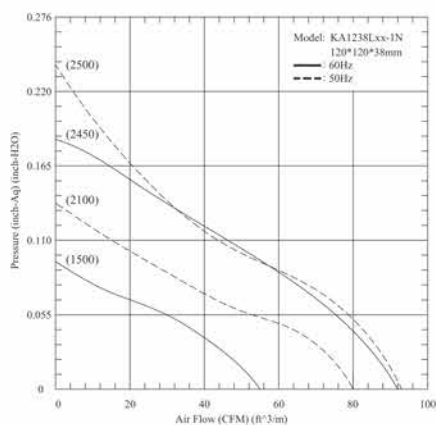
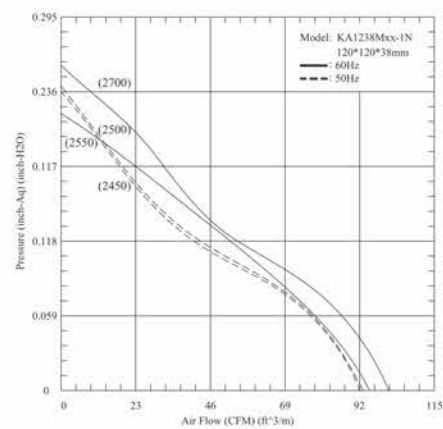
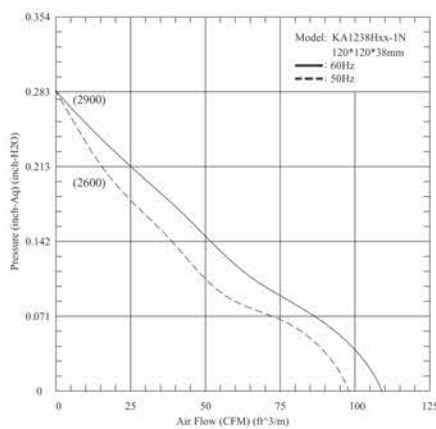


- **Motor** : Two-pole shaded pole induction motor
- **Frame** : Aluminum Alloy, Painted black
- **Impeller** : Retardant thermoplastic in black color, rated UL94V-0
- **Speed Range** : ±10%
- **Impedance protected**

SPECIFICATIONS

Model	Bearing	Nominal Voltage (V)	Frequency (Hz)	Air Flow (CFM)	Static Pressure (inchH ₂ O)	Speed (R.P.M.)	Nominal Current (Amp)	Input Power (Watt)	Noise (dBA)	Weight (g)
KA1238H1-1N	B, S	110-120	50	97	0.284	2600	0.30	21	42	520
			60	109	0.285	2900		18	45	
KA1238M1-1N	B, S		50	93	0.240	2500	0.25	19	42	
			60	101	0.257	2700		17	44	
KA1238L1-1N	B, S		50	93	0.240	2500	0.22	17	42	
			60	92	0.185	2450		16	41	
KA1238H2-1N	B, S	220-240	50	97	0.284	2600	0.16	21	42	
			60	109	0.285	2900		18	44	
KA1238M2-1N	B, S		50	92	0.236	2450	0.12	20	41	
			60	95	0.219	2550		18	42	
KA1238L2-1N	B, S		50	80	0.138	2100	0.07	12	35	
			60	55	0.095	1500		11	27	
KA1238HD-1N	B, S	115/230	50	97	0.284	2600	0.30/0.16	21	42	
			60	109	0.285	2900		18	45	

Specifications subject to change without notice



AC FAN

JAMICON®

172X150X51 mm

JA1751-0N Series

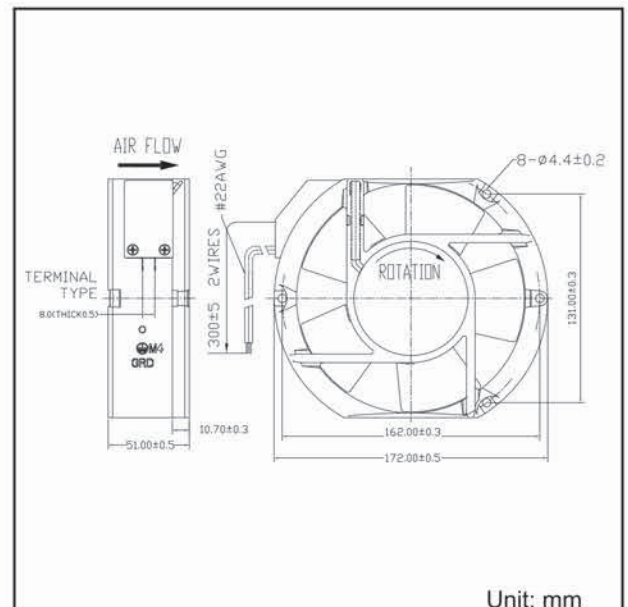
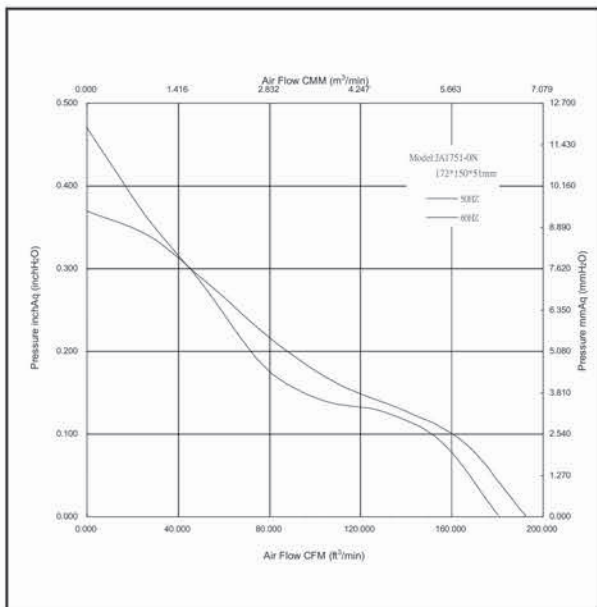


- **Motor** : Two-pole shaded pole induction motor
- **Frame** : Aluminum Alloy, Painted black
- **Impeller** : Retardant thermoplastic in black color, rated UL94V-0
- **Speed Range** : ±10%
- **Thermal protected**

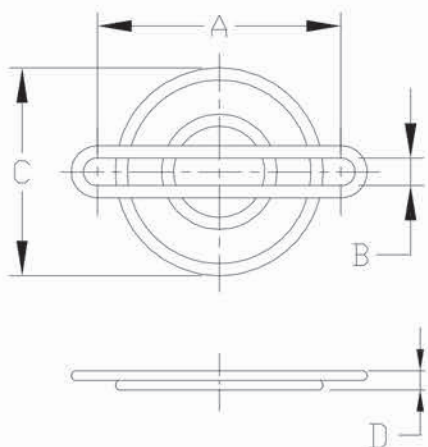
SPECIFICATIONS

Model	Bearing	Nominal Voltage (V)	Frequency (Hz)	Air Flow (CFM)	Static Pressure (inchH ₂ O)	Speed (R.P.M.)	Nominal Current (Amp)	Input Power (Watt)	Noise (dBA)	Weight (g)
JA1751H1B-0N	B	100-120	50	180.19	0.46	2700	0.50	39	52.50	975
60			192.77	0.37	2900	38		54.10		
JA1751H2B-0N		200-240	50	180.19	0.46	2700	0.30	39	52.50	
			60	192.77	0.37	2900		38	54.10	

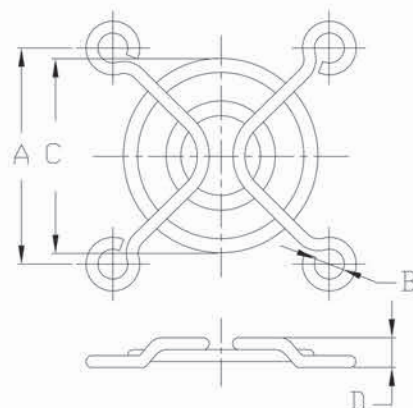
Specifications subject to change without notice



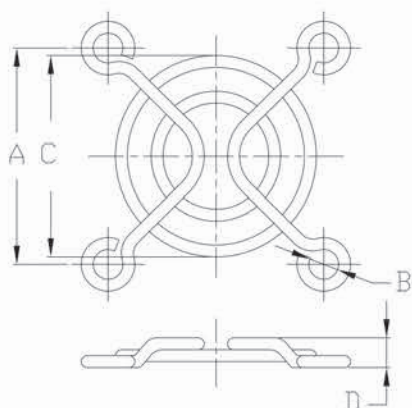
Metal Fan Guard



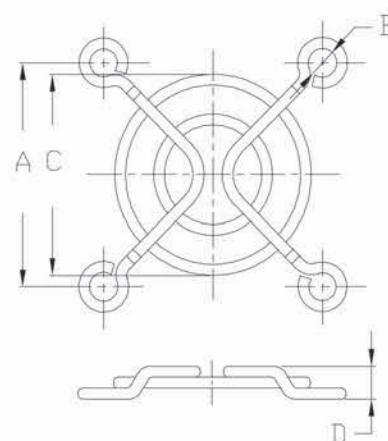
MODEL	A	B	C	D
K-G02C02-2PAU	28.2	3.2	24.0	2.5



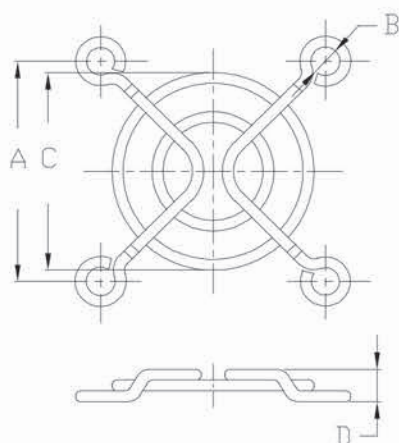
MODEL	A	B	C	D
K-G03C02-4HA	24	3.2	21.8	4.8



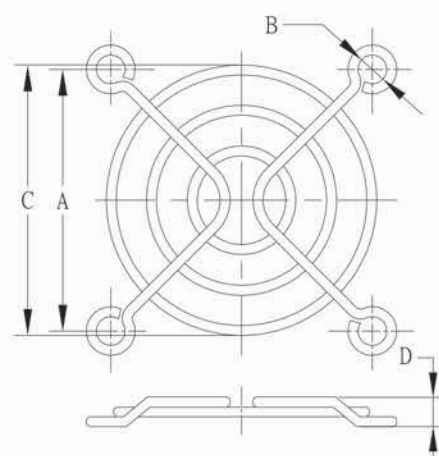
MODEL	A	B	C	D
K-G0BD02-4HA	29	4.0	27	4.0



MODEL	A	B	C	D
K-G04D02-4HA	32	4.0	29.1	4.8

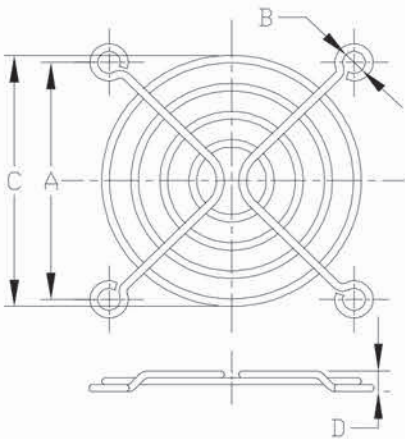


MODEL	A	B	C	D
K-G04B02-4HB	32	4.6	31.5	4.0

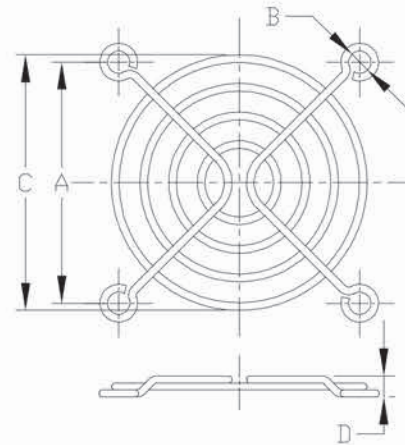


MODEL	A	B	C	D
K-G05B03-4HB	40	4.6	41.1	4.8

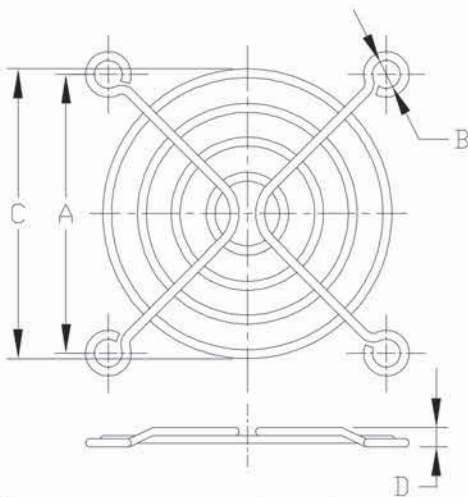
Metal Fan Guard



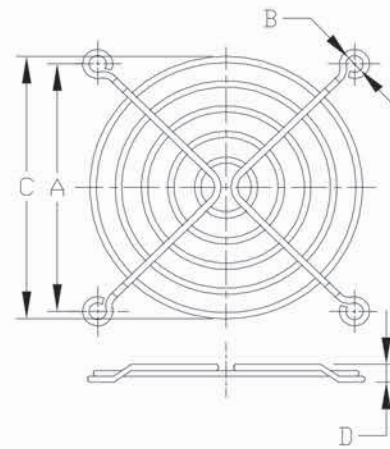
MODEL	A	B	C	D
K-G06B04-4HA	50	4.6	53	4.4



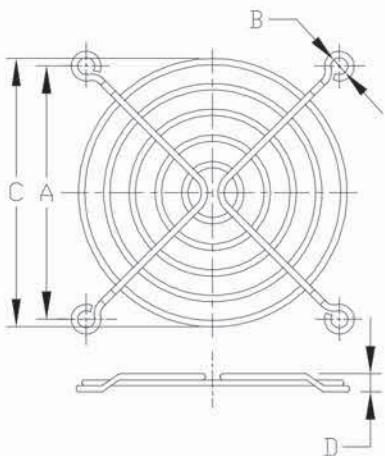
MODEL	A	B	C	D
K-G06B04-4HB	50	4.6	53	5.2



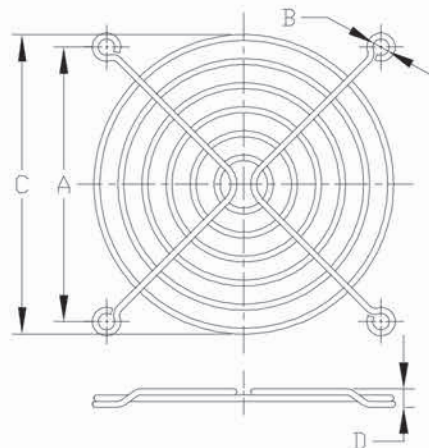
MODEL	A	B	C	D
K-G07F04-4HA	61.5	4.5	64.2	4.0



MODEL	A	B	C	D
K-G08A05-4HA	71.5	4.9	76	5.5

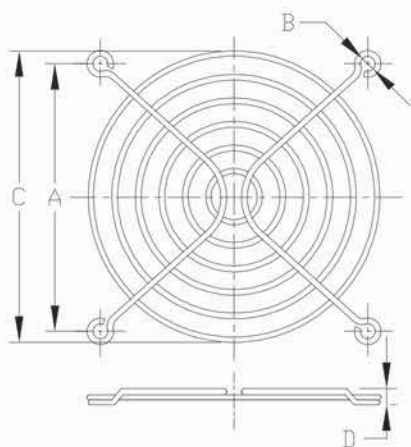


MODEL	A	B	C	D
K-G08B05-4HA	71.5	4.6	76	5.5

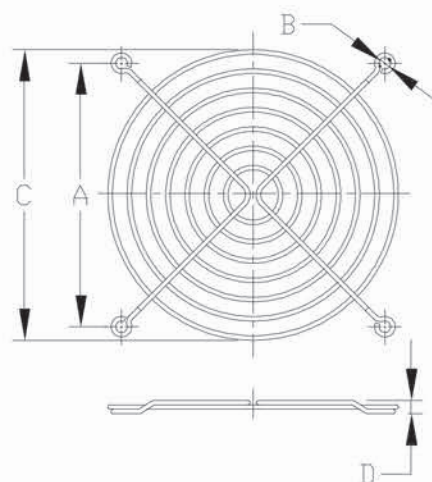


MODEL	A	B	C	D
K-G09A06-4HA	82.5	4.9	90	5.5

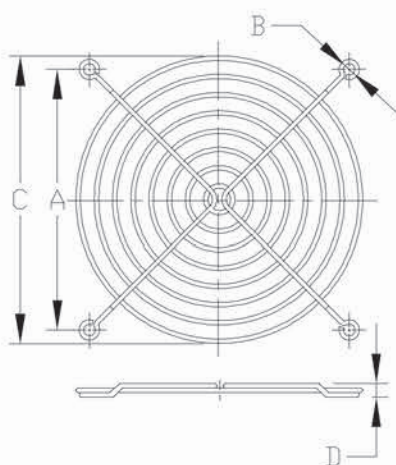
Metal Fan Guard



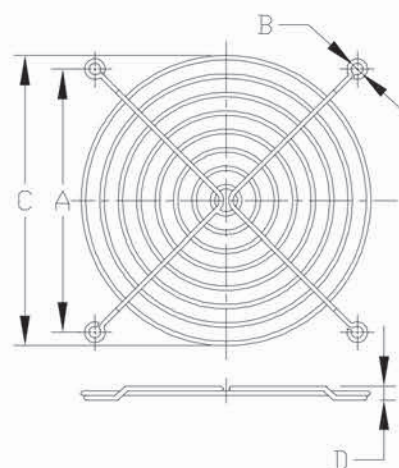
MODEL	A	B	C	D
K-G09B06-4HB	82.4	4.6	89.8	5.0



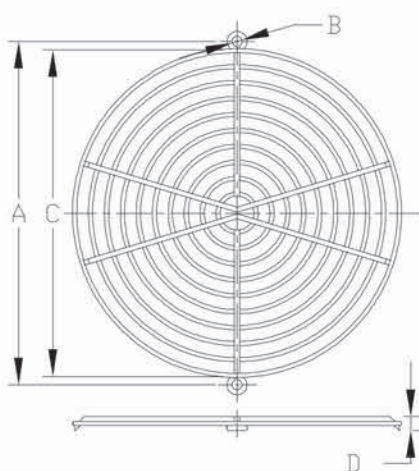
MODEL	A	B	C	D
K-G12B07-4HA	105	4.6	115.6	5.5



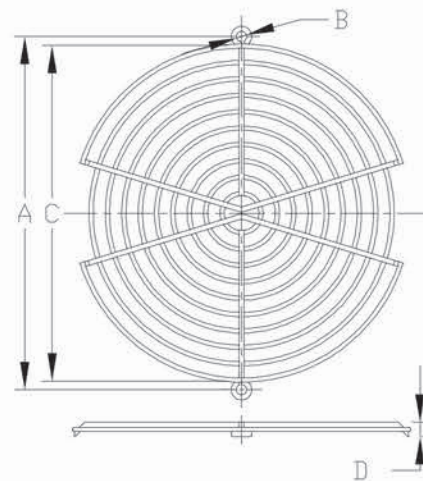
MODEL	A	B	C	D
K-G12B08-4HA	105	4.6	115.6	5.5



MODEL	A	B	C	D
K-G12A08-4HA	105	4.9	115.6	5.5

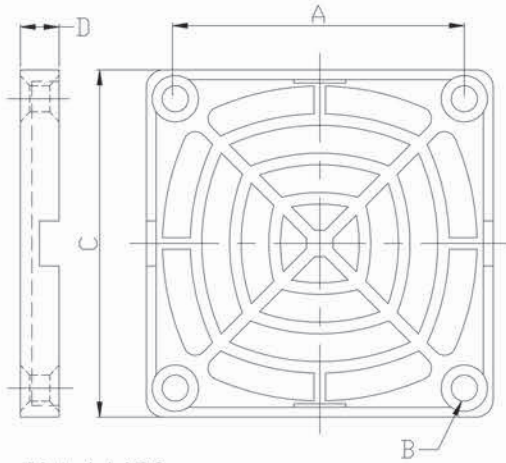


MODEL	A	B	C	D
K-G17H10-2HA	162	5.0	154.4	6.45



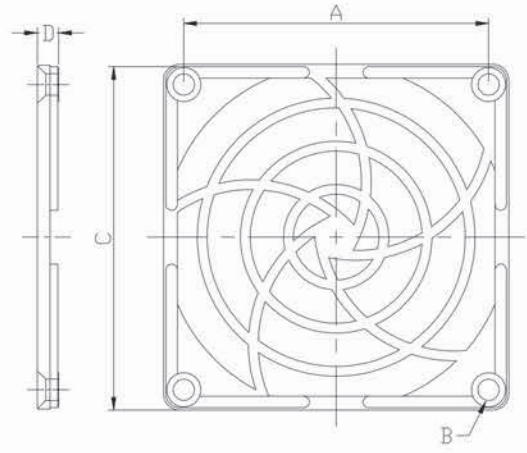
MODEL	A	B	C	D
K-G17H10-2HB	162	5.0	154.4	6.45

Plastic Fan Guard



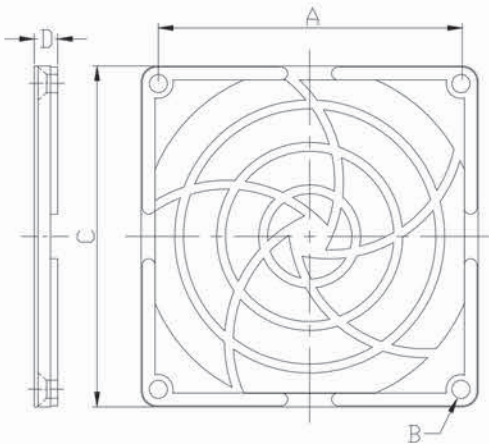
Material:ABS

MODEL	A	B	C	D
K-PG06J-4PA	50	4.5	60	6.7



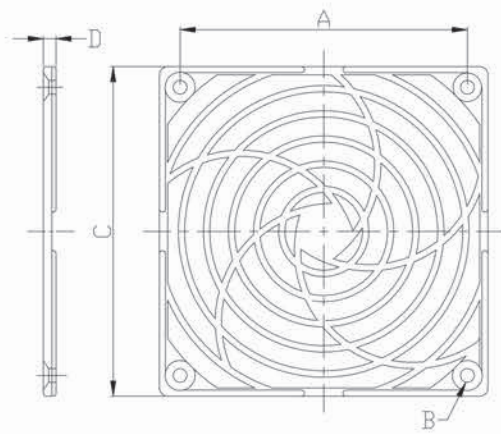
Material:ABS

MODEL	A	B	C	D
K-PG08J-4PA	71.5	5.0	81	50



Material:ABS

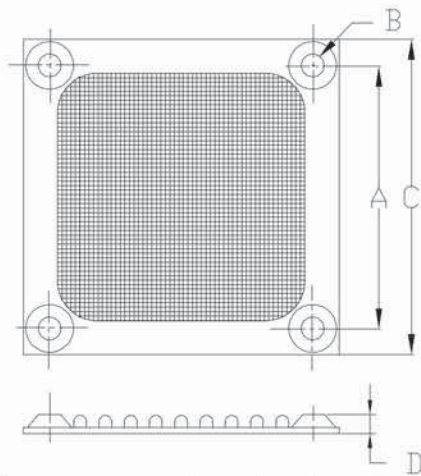
MODEL	A	B	C	D
K-PG09J-4PA	82.5	4.9	92	6.4



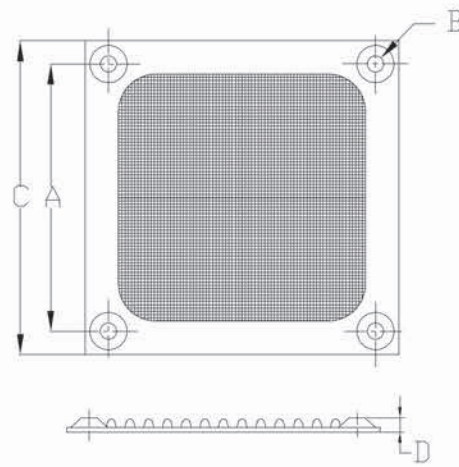
Material:ABS

MODEL	A	B	C	D
K-PG12J-4PA	104.5	5.0	119.5	6.4

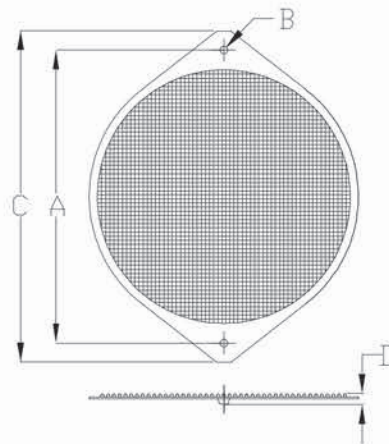
Metal Fan Filter



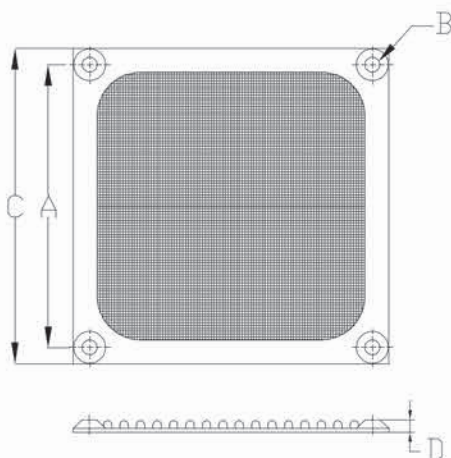
MODEL	A	B	C	D
K-MF06E-4HA	50	4.32	60	4.0



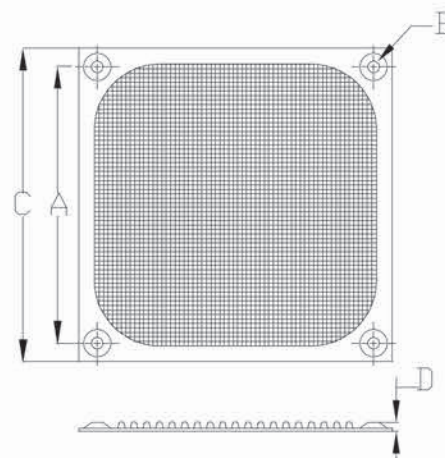
MODEL	A	B	C	D
K-MF08E-4HA	71.4	4.32	83.8	3.5



MODEL	A	B	C	D
K-MF16E-2HA	162	4.3	182	4.15



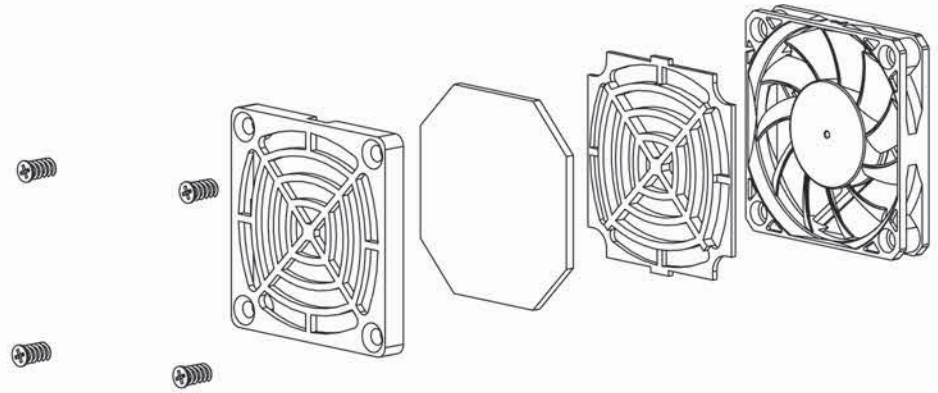
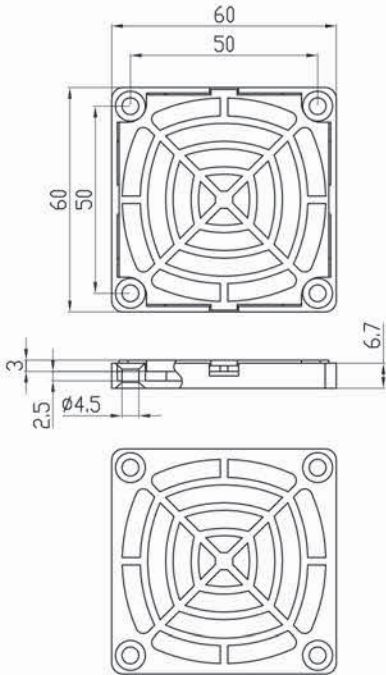
MODEL	A	B	C	D
K-MF09E-4HA	82.5	4.32	92	4.0



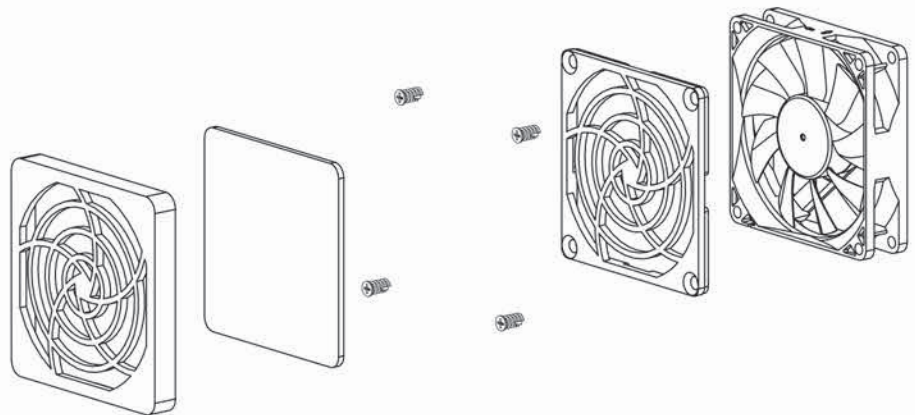
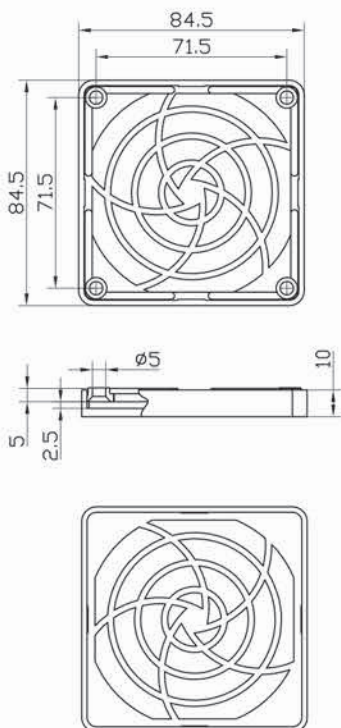
MODEL	A	B	C	D
K-MF12E-4HA	104.8	4.32	118.9	3.5

Plastic Fan Filter

K-PF06J-4PA

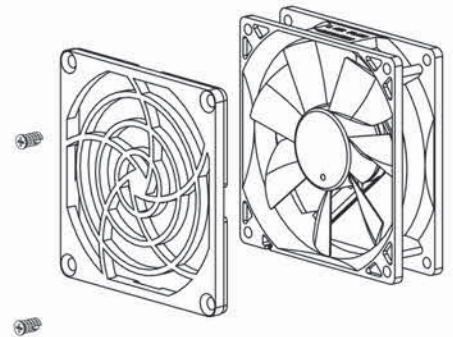
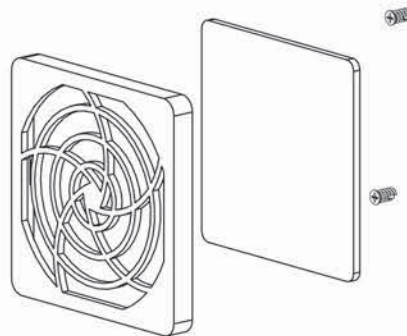
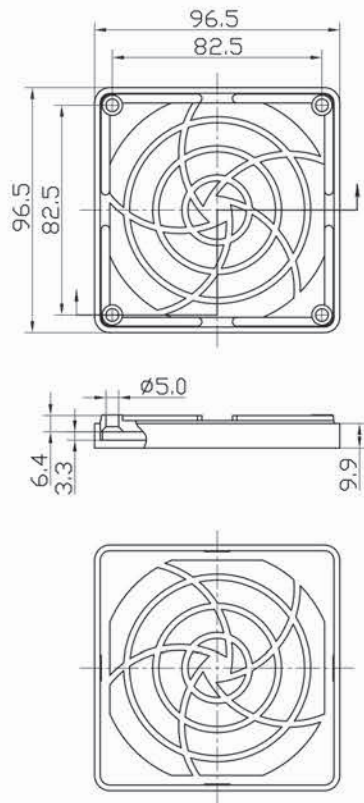


K-PF08J-4PA

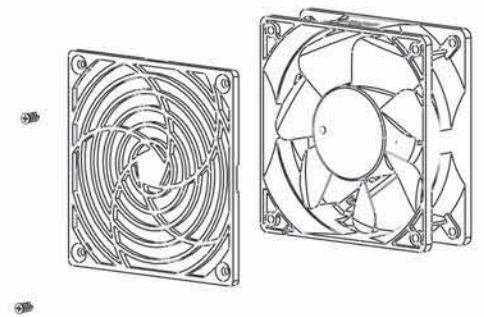
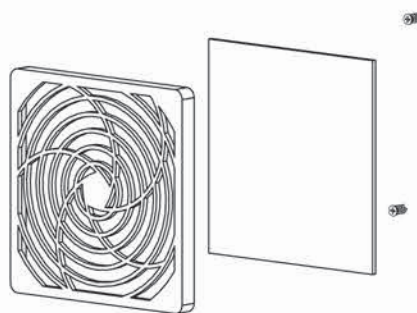
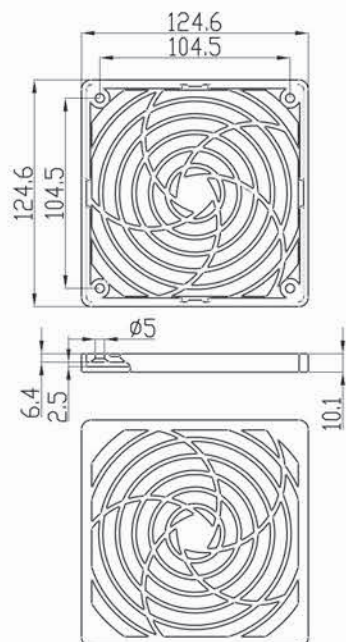


Plastic Fan Filter

K-PF09J-4PA

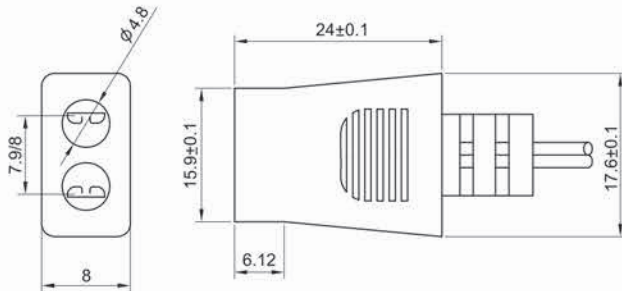


K-PF12J-4PA

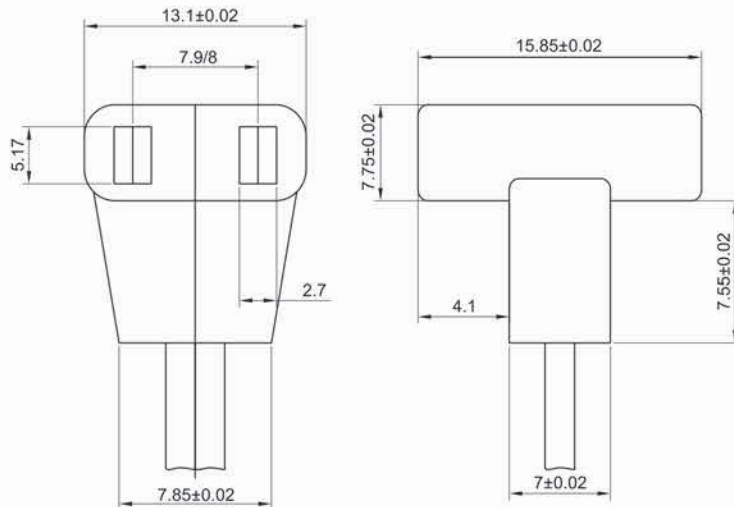


Power Cord

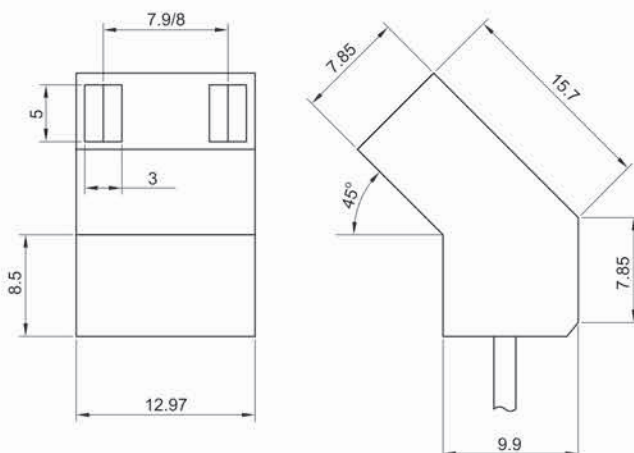
19-1180 (TYPE STRAIGHT 180°)



19-1090 (TYPE 90°)



19-1045 (TYPE 45°)



STANDARD DIMENSIONS (mm)

Model	19-1180	19-1090	19-1045
Wire Length	900mm	900mm	900mm

*Wire length is adjustable by request.

Reference List of Measure Unit

Air Flow Unit (風量單位)

CFM : Cubic Feet Per Minute (ft³/min ; 立方英尺/分)

CMM : Cubic Meter Per Minute (m³/min ; 立方公尺/分)

CMH : Cubic Meter Per Hour (m³/hr ; 立方公尺/小時)

Air Flow Unit Conversion (風量單位換算表)

CFM	CMM	CMH
1	0.0283	1.698
35.3	1	60
0.588	0.0167	1

Static Pressure Unit (靜壓單位)

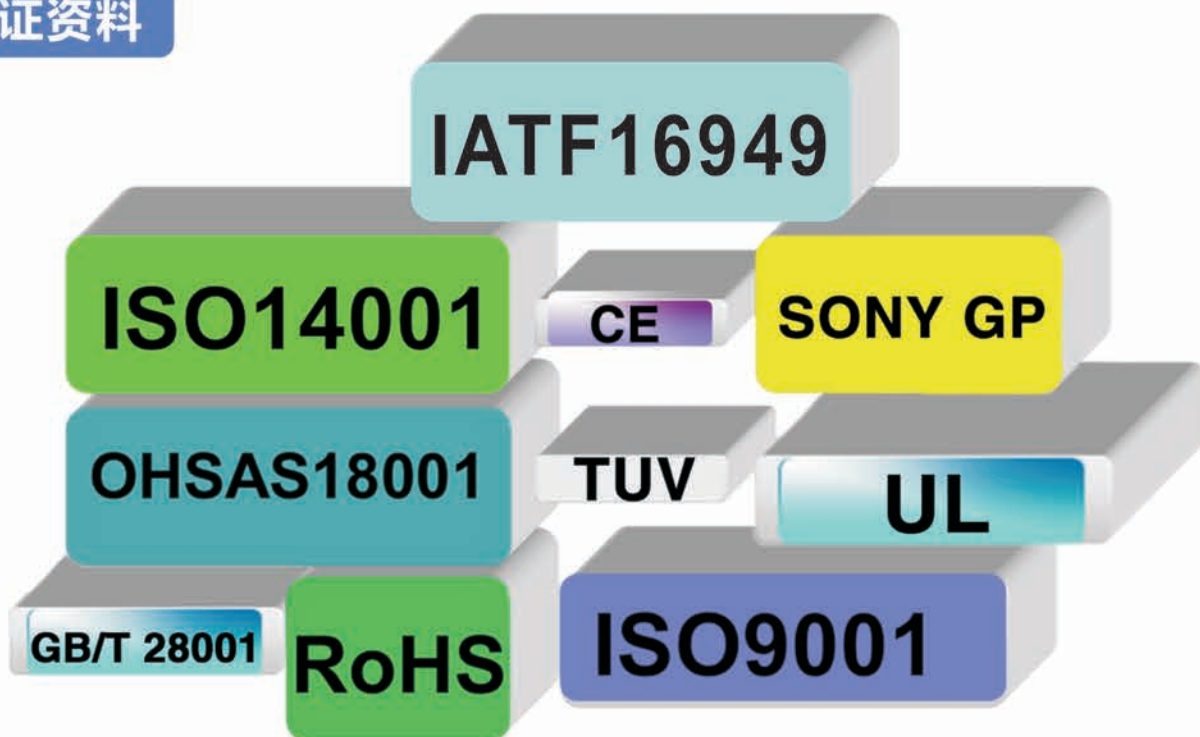
Pa : Pascal (Pa = N/m² ; 牛頓/平方米)

mmAq : 1 mmAq = 1 mmH₂O

Static Pressure Unit Conversion (靜壓單位換算表)

Pa	mmH ₂ O	inch H ₂ O
1	0.10197	0.004017
9.80665	1	0.03939
249	25.4	1

认证资料



全球客户



忠诚信实 精益求精 满足客户 共享成果

【东莞厂】

成立时间：1998
地址：广东省 东莞市 塘厦镇 高丽工业区 高丽一路6A2.6A3号
电话：86-769-8791 4676
产品：散热风扇、铝质电解电容器



【苏州厂】

成立时间：1995
地址：江苏省 苏州市 相城区 望亭镇 问渡路68号
电话：86-512-6538 9874
产品：贴片式电解电容、铝质电解电容器



【总部(台湾)】

成立时间：November 28,1973
品牌：JAMICON
员工人数：4000 worldwide (全球)



【丰田研发中心(台湾)】

成立时间：1973
地址：台湾省 云林县 丰田工业区 丰田路51号
电话：886-5-5915 5366



<http://www.jamicon.com.tw>



JAMICON®

Web site:<http://www.jamicon.com.tw/>
E-mail address:fan@jamicon.com.tw

凯美电机股份有限公司
新北市汐止区新台五路一段81号13楼

HEADQUARTERS

KAIMEI ELECTRONIC CORP.
12Fl. , No. 81, Sec. 1, Xintai 5th Rd. ,
Xizhi Dist, New Taipei City, 221, Taiwan, R.O.C.
Tel: +886-2-2698-1010
Fax: +886-2-2698-0509
+886-2-2698-0386

