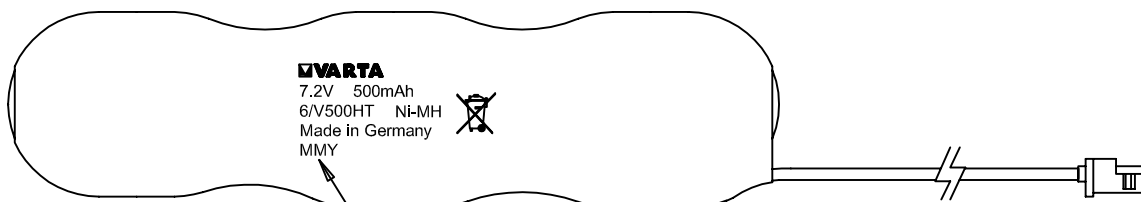
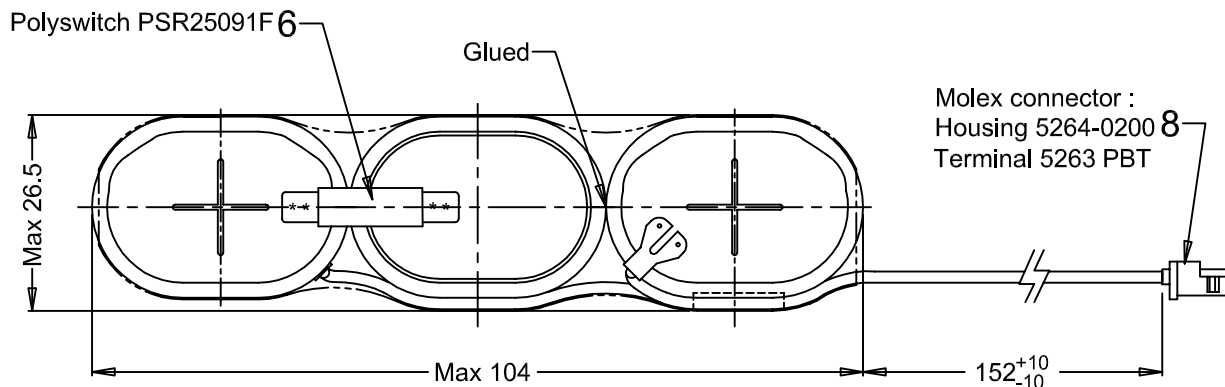
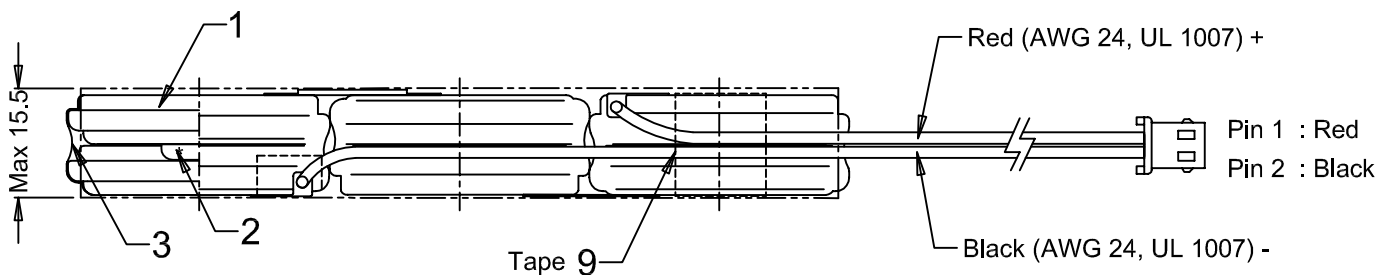
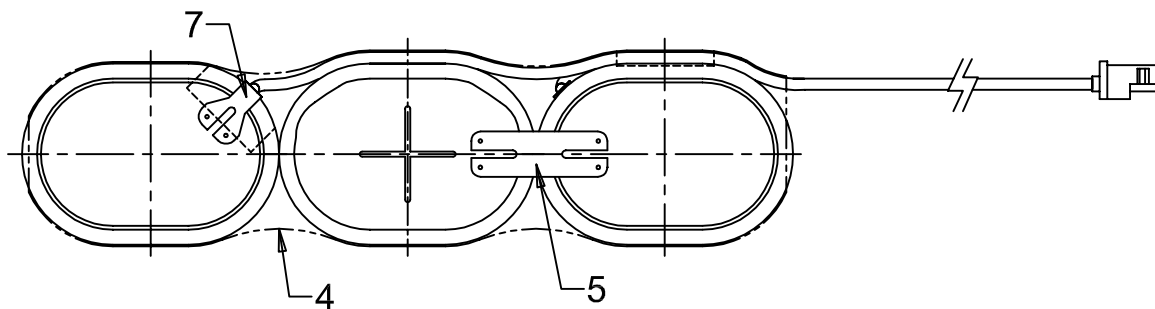


This is a controlled document.
 Hardcopy to be endorsed by authorized person.
 Check with Issuing Office or SAP system for latest update.



Note : 1) Battery is totally insulated
 2) Battery with non-standard polarity
 3) Cell deflection space of 1.2mm/cell is needed in case of abusive conditions.
 Please consult Varta for more details.

Approx. wt : 90 g

No	AO No	Revisions	1	Date	Name
1	R543/08	To add in printed sleeve the crossed-out wheeled bin symbol		2008-12-13	Syamsul
0	049/06	Refer to p/n: P06-00194, rev. 000		2006-10-31	Ratna

Projection:		Material: Refer to part list no: 696259		Description: 6/V500HT LS S WC with sleeve & wires connector	
Dimensions in mm		Prepared & Checked	Verified & Approved	Dwg. No: 696259	4 0 1
Tolerance: As specified		2006-10-31	Ratna	VKB Order No: 55750 406 013	
Scale: 1 : 1					

Rights reserved to make technical changes, as a result of further development, without notice. This drawing is the property of VARTA Microbattery and must not be copied or disclosed to a third party without the written consent of VARTA Microbattery.

