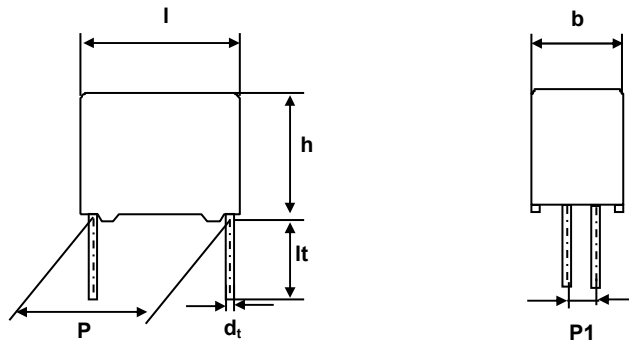


Capacitor as P255.....

acc. to Type spec. QSN-075-77



DRAFT

$$dt = 1.2 + 0.12 / - 0.12 \text{ mm}$$

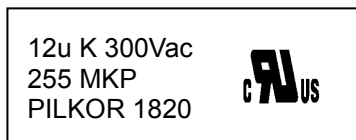
Voltage Vac	Cap. μF	Code P255	C-tol.	Dimensions b × h × l mm	P mm	P1 mm	Lt mm
300V	28	T30286KAS4	± 10%	35.0 × 50.0 × 57.0	52.5±0.7	20.3±0.5	5.0±1.0

SAME AS P255T31456KAS4

<But>

- Voltage → 300Vac
- Value extension → 28uF

- Marking :



Marking on the top

- Packing Method (Arrange packing):

Packing method	Sponge	SPQ (Folding Plate)	PQ (Outer box)
8242 450 40214	0842 456 20006	40 (8242 451 10241)	80 (8242 451 30941)

부서	제품개발1팀	Type specification			최초작성일	18-04-11
작성	양근주	MMKP RADIAL POTTED CAPACITORS (Ropla)	P255T30286KAS4		개정 No	
승인	강문현		190-1	of page 1	개정일자	

(C) PILKOR ELECTRONICS