



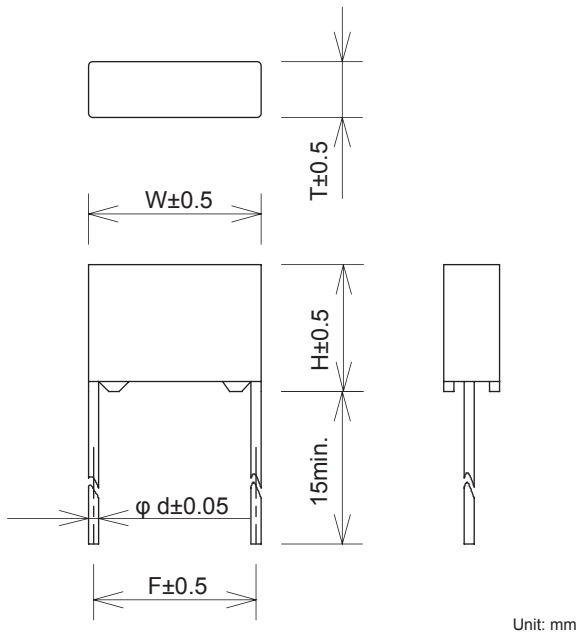
Features

- 30% smaller size of YE series
- UL, cUL, IEC/EN 60384-14 class Y2
- Good temperature characteristic compared to ceramic capacitor.

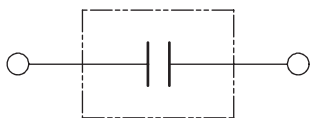
Applications

- Designed mainly for suppressing noise occurring in electric appliances and medical equipment

Dimensions



Circuit

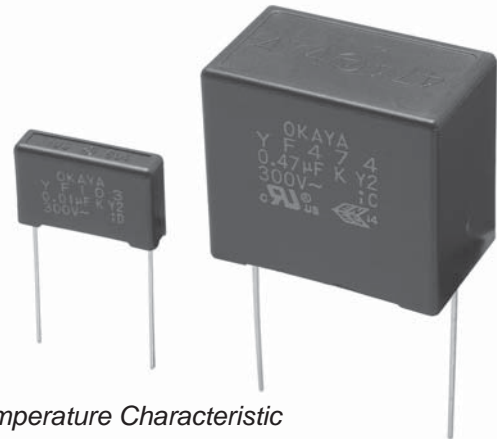


Safety Standard	File No.*
UL :UL60384-14	E47474
cUL :CSA E60384-14	E47474
ENEC :IEC/EN60384-14	SE/0142-11

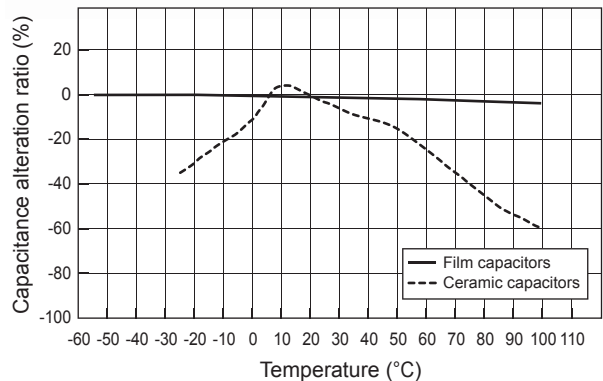
The "ENEC" mark is a common European product certification mark based on testing to harmonised European safety standard. The mark with #14 stands for SEMKO.



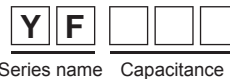
*File No. may be revised without notice. Please contact us at the time of your request for certifications.



Temperature Characteristic



Model numbering system



Electrical Specifications

Rated Voltage **300Vac**

Safety Standard	Class	Model Number	Capacitance $\mu\text{F}\pm 10\%$	Dimensions					Dissipation Factor	Test Voltage	Insulation Resistance
				W	H	T	F	d			
 	Y2	YF103	0.01	18.0	11.0	5.0	15.0	0.6	0.003max. (at 10kHz)	Line to Line 2,000Vac 50/60Hz 60sec	Line to Line $C \leq 0.33\mu\text{F}$ 15,000M Ω min.
		YF153	0.015		11.5	6.0					
		YF223	0.022		12.5	7.0					
		YF333	0.033		14.0	8.0					
		YF473	0.047	15.0	9.0	22.5	0.8	Line to Case 2,000Vac 50/60Hz 60sec		Line to Case 100,000M Ω min. (at 100Vdc)	
		YF683	0.068	15.5	7.5						
		YF104	0.1	17.5	10.5						
		YF154	0.15	19.5	12.5						
		YF224	0.22	20.5	13.5						
		YF334	0.33	24.0	16.0						
YF474	0.47	27.0	18.5	27.5							

Operating Temperature: -55~+110°C