



Features

- Compact size SPD of rated AC250V available
- No use the fuse to between lines circuit because of SPD has a built-in separation mechanism
- Impulse discharge current 8/20 μ s-2kA
Common mode (1.2/50 μ s(R=12 Ω)-15kV) available.
- Compliance with safety standard (TÜV)
- External setting available for LED security light and LED street light.

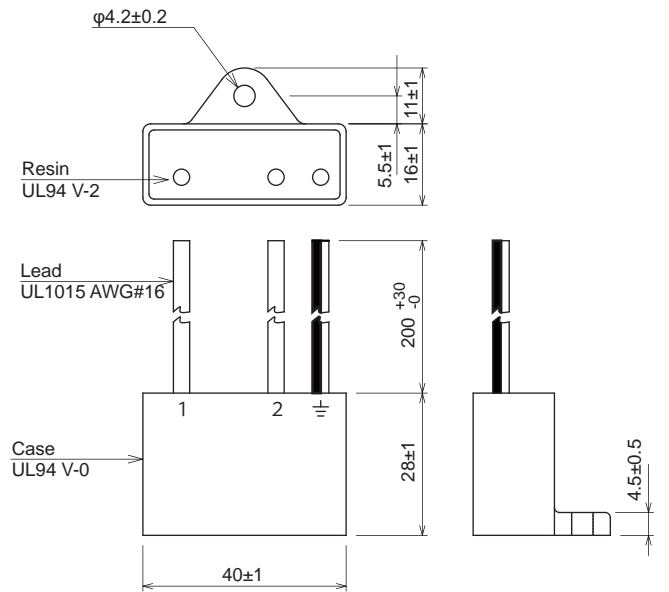


NEW

Applications

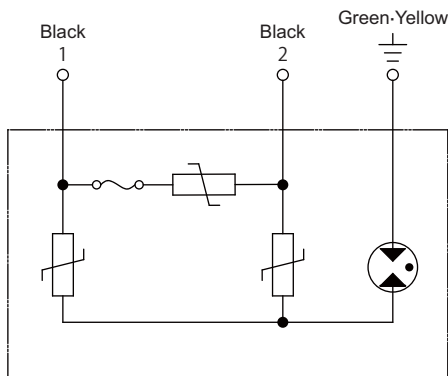
- LED security light, LED street light

• *Dimensions*



Unit: mm

• *Circuit*



Electrical Specifications

Safety Standard	Model Number	Rated Voltage	Max. Line Voltage	Varistor Voltage	DC Breakdown Voltage	Impulse Discharge Current	Insulation Resistance	Withstand Voltage Test	Operating Temp. Range	Weight (g) Approx.	
		50/60Hz (Vac)	(Vac)	(V) $\pm 10\%$	(V) Ez +30	8/20 μ s (A)	IR DC500V	(Vac)	($^{\circ}$ C)		
-	R-A-M-152BQZ (LED)	1-2	250	300	470	-	2,000	>1,000	-	-40 ~ +70	40
		1,2- \perp	-	-	-	1,200					