



Features

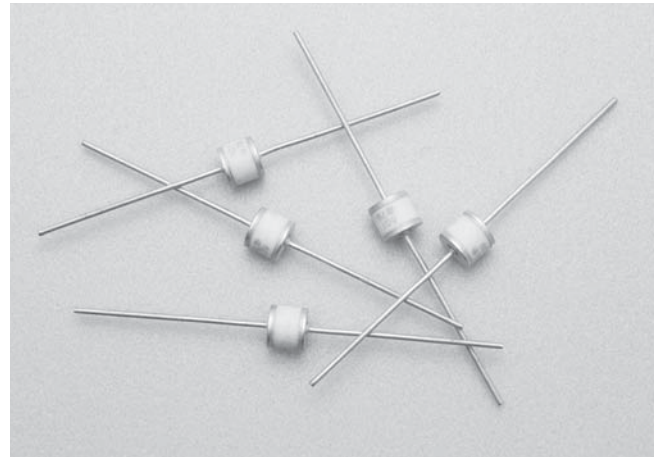
- Quick response for surge.
- High impulse current capacity.
- It can withstand alternating current.
- Excellent insulation resistance and small capacitance.
- Recommendation of ITU-T conformity.

Applications

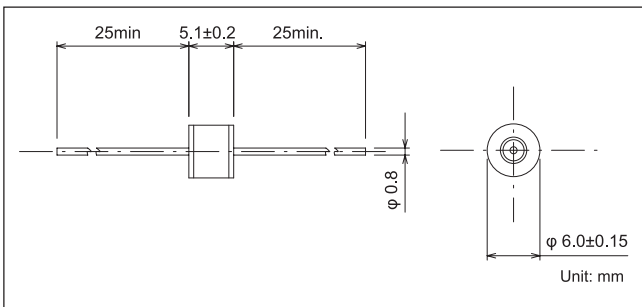
- Telephone, PBX, Wireless base station, Optical transmission equipments, CATV transmission equipments, Fire alarm systems and Home security systems. RoHS restriction complied.



Safety Standard		File No.
UL	:UL-497B, UL-1449	E139599, E143446



Dimensions



Electrical Specifications (Low Voltage Type)

(Comforms to ITU-T)

Safety Standard	Model Number	DC Sparkover Voltage 100V/s ~ 500V/s (V) ±20%	Impulse Sparkover Voltage 100V/μs max. (V)	Impulse Discharge Current 8/20μs (A)	Alternating Discharge Current 50Hz/1sec. 10 times (A)	Impulse Life Test 10/1,000μs 50A (times)	Insulation Resistance min. (MΩ)	Capacitance max. (pF)
UL 497B	R26-900-BGL	90	450	5,000	5	300	10 ⁴	1.5
UL 1449	R26-151-BGL	150	500					
	R26-231-BGL	230	600					
	R26-251-BGL	250						
	R26-301-BGL	300	650					
	R26-351-BGL	350	750					
	R26-401-BGL	400	800					
	R26-471-BGL	470	900					
	R26-601-BGL	600	1,300					

Electrical Specifications (High Voltage Type)

Safety Standard	Model Number	DC Sparkover Voltage 500V/s (V) ±20%	Impulse Discharge Current 8/20μs (A)	Impulse Life Test 8/20μs 500A (times)	Insulation Resistance min. (MΩ)	Capacitance max. (pF)	Withstand Voltage test
UL 1449	R26-801-BGL	800	5,000	300	10 ⁴	1.5	-
	R26-102-BGL	1,000					-
	R26-152-BGL	1,500					-
	R26-242-BGL	2,400					AC1,250V 3s
	R26-302-BGL	3,000					AC,1500V 60s
	R26-362-BGL	3,600					AC1,800V 3s



Features

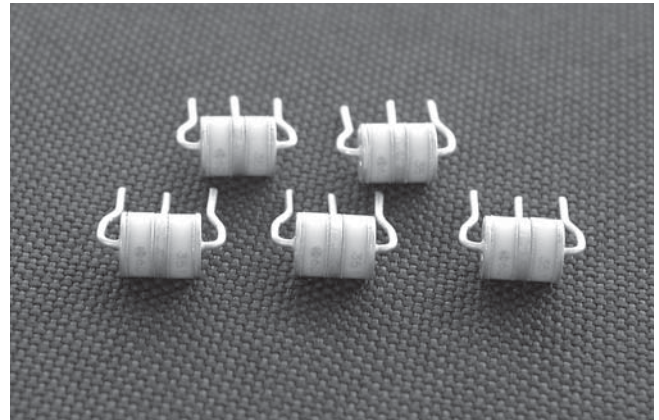
- Quick response for surge.
- High impulse current capacity.
- It can withstand alternating current.
- Excellent insulation resistance and small capacitance.
- Recommendation of ITU-T conformity.

Applications

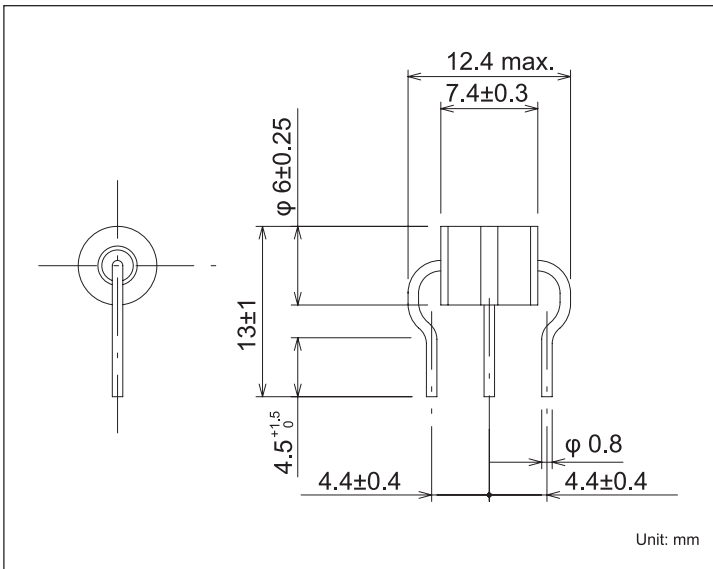
- Telephone, PBX, Wireless base station, Optical transmission equipments, CATV transmission equipments, Fire alarm systems and Home security systems. RoHS restriction complied.



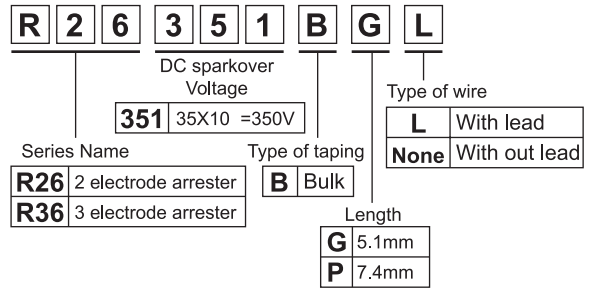
Safety Standard	File No.
UL :UL-497B	E139599



Dimensions



• Model numbering system



Electrical Specifications

(Comforms to ITU-T)

Safety Standard	Model Number	DC Sparkover Voltage 100V/s ~ 2,000V/s (V) ±20%	Impulse Sparkover Voltage 100V/μs (V)	Impulse Discharge Current 8/20μs (A)	Alternating Discharge Current 50Hz/1sec. 10 times (A)	Impulse Life Test 10/1,000μs 50A (times)	Insulation Resistance min. (MΩ)	Capacitance max. (pF)
	R36-900-BPL	90	450	5,000	5	300	10 ⁴	1.5
	R36-231-BPL	230	600					
	R36-251-BPL	250						
	R36-351-BPL	350	750					
	R36-421-BPL	420	900					
	R36-601-BPL	600	1,300					