


DATE OF ISSUE	SPECIFICATIONS			SPEC. - 1878A
Aug 7, 2013				1/7
<p>1. Article Across-The-Line Capacitor, LE-K-M Series. (National safety standard approved series) (Correspondence product of RoHS Restriction)</p> <p>2. Approved standard (National Safety Standard) Remarks: In case of application to National Safety Standard, Name is LE○○○○.</p> <p>UL</p> <p> Specification : UL 60384-14</p> <p> File No : E47474</p> <p> Types : LE Series</p> <p> Rated voltage : AC300V</p> <p>c-UL</p> <p> Specification :CSA -E60384-14</p> <p> File No : E47474</p> <p> Types : LE Series</p> <p> Rated voltage : AC300V</p> <p>ENEC 14 SEMKO</p> <p> ※CENELEC ENEC Agreement License</p> <p> Specification :IEC60384-14</p> <p> Ref.No.: SE/0142-1</p> <p> ENEC 14 SEMKO</p> <p> Types : LE Series(China and Sri Lanka Factory Products)</p> <p> Rated voltage : AC300V</p> <p>※CENELEC ENEC Agreement license is the license for electronics products that are agreed among the national certification bodies of European states. This standard complies with European Norm (EN). 14 that is shown in marking is meaning of SEMKO.</p> <p>(EneC Mark)</p> <p>The design of EneC Mark shows in the right figure. 14 indicates as the Identity Number of SEMKO.</p> <div style="text-align: right;">  </div> <p>KC</p> <p> Specification : K60384-1/K60384-14</p> <p> Types/File No/Grade/etc :</p> <p> LE155~LE305 (X2)/ KETI HU03005-7015B (China Product)</p> <p> LE305~LE505 (X2)/ KETI HU03005-7016B (China Product)</p> <p> LE505~LE106 (X2)/ KETI HU03005-7017B (China Product)</p> <p> Rated voltage : AC300V</p>				
APPD.	CHK.	DESIGN	TRACE	OKAYA ELECTRIC INDUSTRIES CO., LTD.
<i>Y. Kasahara</i>	<i>S. Yaguchi</i>	<i>M. Maruyama</i>	<i>H. Tomita</i>	

SPECIFICATIONS

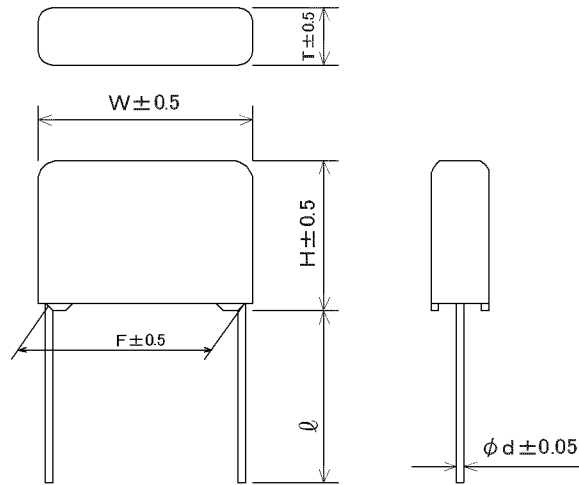
SPEC. - 1878A

2/

3. Shape, Dimensions & Marking

3.1. Dimensions

Unit: mm



Model	W	H	T	F	d	Lead wire length ℓ			
						None	-L	-C	-C3.5
LE155-K-M-()	30.5	24.5	15.0	27.5	0.8	15.0 min.	30.0 min.	4.5 ± 0.5	3.5 ± 0.5
LE225-K-M-()	30.5	28.0	18.0	27.5	0.8				
LE335-K-M-()	38.0	28.0	18.5	35.0	0.8				
LE475-K-M-()	41.0	31.0	21.0	37.5	0.8				
LE685-K-M-()	41.0	38.0	23.0	37.5	1.0				
LE106-K-M-()	41.0	43.0	28.0	37.5	1.0				

3.2. Marking



4. Rating (Ambient Temperature 20°C)

- 4.1 Rated Voltage : 300Vac 50/60Hz
- 4.2 Nominal capacitance : Refer to table-1
- 4.3 Tolerance of capacitance : $\pm 20\%$
- 4.4 Dissipation factor : Max.0.002 at 1kHz
- 4.5 Test voltage
 - Between terminals : 1250Vac 50/60Hz 60sec
 - Both terminals to case : 2100Vac 50/60Hz 60sec
- 4.6 Insulation resistance
 - Between terminals : Min. 5000 ΩF at 100Vdc
 - Both terminals to body : Min.100000 $M\Omega$ at 100Vdc
- 4.7 Operating temperature : -55~+100°C

OKAYA ELECTRIC
INDUSTRIES CO., LTD.

	SPECIFICATIONS	SPEC. - 1878A
		3/

table-1

Model	Nominal Capacitance	Rated Current (at 275Vac 60Hz)	Resonance frequency (Reference data)
LE155-K-()	1.5 μ F	169.6 mA	820 kHz
LE225-K-()	2.2 μ F	248.8 mA	680 kHz
LE335-K-()	3.3 μ F	373.2 mA	560 kHz
LE475-K-()	4.7 μ F	531.6 mA	470 kHz
LE685-K-()	6.8 μ F	769.1 mA	390 kHz
LE106-K-()	10.0 μ F	1.13 A	330 kHz

Remarks: The maximum use of circuit voltage is the rated voltage and the rated current refers to the reference value at 300Vac 60Hz.
Besides, resonance frequency show in the table is the reference value.

5. Performance

No	Application item	Performance	Test method
1	Voltage withstand between terminals	No Defect	Ref. JIS C 5101-14 4.2.1 1250Vac 50/60Hz 60sec.
	Terminals to case	No Defect	2100Vac 50/60Hz 60sec.
2	Insulation resistance between terminals	Min. 5000 Ω F	Ref. JIS C 5101-14 4.2.5 Measured at 100Vdc 60sec.
	Terminals to body	Min. 100000 M Ω	Ref. JIS C 5101-14 4.2.5 Measured at 100Vdc 60sec.
3	Capacitance	Shall be within the tolerance	Ref. JIS C 5101-14 4.2.2 1kHz, max. 5Vrms
4	Dissipation factor	Max. 0.002 at 1kHz	Ref. JIS C 5101-14 4.2.3
5	Robustness of terminations	Tensile	Ref. JIS C 5101-14 4.3 Lead Dia.: above 0.5mm but below 0.8mm.(Tensile 10N, Bending 5N) Lead Dia.: above 0.8mm but below 1.25mm.(Tensile 20N, Bending 10N)
		Bending	
6	Vibration	No open and short circuit occurred. Stable condition keep unchanged. Comply to condition 1~ 4 after the test.	Ref. JIS C 5101-14 4.7 Vibration frequency 10 ~ 55Hz, Amplitude 1.5mm add X,Y,Z directions for 2hrs per direction.

		SPECIFICATIONS	SPEC. - 1878A
			4/
No	Application item	Performance	Test method
7	Solder ability	Solder layer shall cover 90% along the circumference of lead wire.	Ref. JIS C 5101-1 4 1 5 Rosin density 25%, dipping duration 2 ± 0.5 sec. · Pb free solder (Sn96.5Ag3Cu0.5) at temp. 245°C.
8	Resistance to soldering heat	Appearance: No abnormality	Ref. JIS C 5101-14 4.4 Use 1.0mm thickness glass epoxy board as a holder. Solder temp. 270°C, dipping duration 5 sec. left for 5 sec. at room temp. after dipping and again dip in solder for 5 sec.
		Voltage withstand: To satisfy item No.1	
		Cap. ratio: Within $\pm 5\%$ of initial value.	
9	Resistance to solvent	Appearance: No abnormality	Ref. JIS C 60068-2-45 Use I.P.A or equivalent.
		Cap. ratio : Within $\pm 1\%$ of initial value.	
		Dissipation Factor: Max. 0.002 at 1kHz	
10	Resistance to lower category temp.	Cap. ratio at -55°C : Within +5/0% of initial value 20°C	Ref. JIS C 5101-14 11.4 (Characteristic at temp. -55°C)
11	Resistance to dry heat. Insulation resistance	Between terminals: min. 100 MΩ Both terminals to case: min. 10000MΩ	Ref. JIS C 5101-14 11.2 (Characteristic at temp. +100°C)
	Cap. ratio at +100°C	Within 0 / -5% of initial value 20°C	
12	Rapid change of temperature.	Appearance: No abnormality	Ref. JIS C 5101-14 4.6 Temperature -55°C for 60 min. and +100°C for 60min. as 1 cycle and it shall be repeated for 100 cycles. (The step of normal temp. is not performed.)
		Voltage withstand: To satisfy item No.1	
		Insulation resistance: To satisfy item No.2	
		Cap. ratio: Within $\pm 5\%$ of initial value.	
13	Immersion cycle	Dissipation Factor: Max. 0.002 at 1kHz	To be immersed in the bath, one a clean water at temp. 65°C and the other saturated salt water bath at 0°C for 15 min. as 1cycle, and to be repeated for 2 cycles. The capacitor shall be washed in running water and let alone for 2 to 24 hrs.
		Appearance: No abnormality	
		Voltage withstand: To satisfy item No.1	
		Insulation resistance: To satisfy item No.2	
			OKAYA ELECTRIC INDUSTRIES CO., LTD.

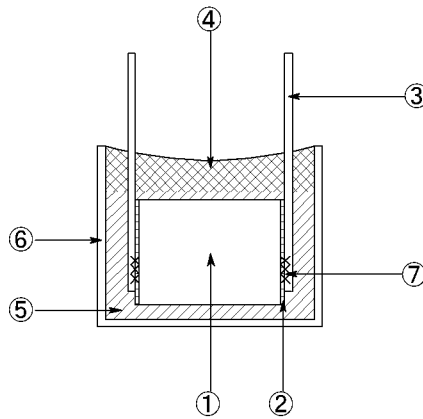
		SPECIFICATIONS	SPEC. - 1878A
			5/
No	Application item	Performance	Test method
14	Damp heat (Steady state)	Appearance: No abnormality	Ref. JIS C 5101-14 4.12 Temperature 60°C and relative humidity 90-95% for 500 hrs.
		Voltage withstand: To satisfy item No.1	
		Insulation resistance: At least 1/2 of item No.2	
		Cap. ratio: Within ±8% of initial value.	
		Dissipation Factor: Max. 0.007 at 1kHz	
15	Damp heat cycle	Appearance: No abnormality	Ref. JIS C 5101-14 4.11
		Voltage withstand: To satisfy item No.1	
		Insulation resistance: To satisfy item No.2	
		Cap. ratio: Within ±5% of initial value.	
		Dissipation Factor: Max. 0.007 at 1kHz	
16	Damp heat loading	Appearance: No abnormality	Temp. 40°C and relative humidity 90-95%, and DC voltage 2 times of the nominal rated voltage shall be applied for 1000 hrs.
		Insulation resistance: At least 1/2 of item No.2	
		Cap. ratio: Within ±8% of initial value.	
		Dissipation Factor: Max. 0.007 at 1kHz	
17	Endurance	Appearance: No abnormality	Ref. JIS C 5101-14 4.14 Temp. 100°C, 375Vac shall be applied continuously, only 0.1 sec set up to 1000Vac per each hour. The test shall be performed for 1000 hrs.
		Insulation resistance: At least 1/2 of item No.2	
		Cap. ratio: Within ±10% of initial value.	
		Dissipation Factor: Max. 0.007 at 1kHz	
18	Passive flammability	Reduce inflammation within regulation time.	Ref. JIS C 5101-14 4.17
			OKAYA ELECTRIC INDUSTRIES CO., LTD.

SPECIFICATIONS

SPEC. - 1878A

6/

6. Structure drawing



All components be RoHS restriction correspondence articles.

No.	Article	Materials	Flame resistance
1	Capacitor element	Metallized PP film capacitor	
2	Soldering weld (Metalicon)	Pb free correspondence	
3	Lead wire	Pb free correspondence (plated copper clad steel wire)	
4	Filler resin	Polyurethane resin	UL94 V-0 approved
5	Filler resin	Polyurethane resin	UL94 V-2 correspond
6	Modified Case	Polybutylene terephthalate	UL94 V-0 approved
7	Soldering or weld	Pb free correspondence	

Remarks: The above materials are subjected to change into specifications and other related standards in the range which guarantees the regular contents.
 The above materials are described as existing chemical materials, complied with 'Inspection and manufacturing control of chemical materials of law'.
 Not including any material for damaging Ozone layer.

7. Marking

- a) Part Number
- b) Rated Voltage
- c) Symbol of AC Voltage
- d) Nominal Capacitance
- e) Tolerance of Capacitance
- f) Manufacturing Lot Symbol
- g) Trade Mark of Okaya Electric Industries Co., Ltd.
- h) Symbol of Safety Standard Approvals

OKAYA ELECTRIC
INDUSTRIES CO., LTD.

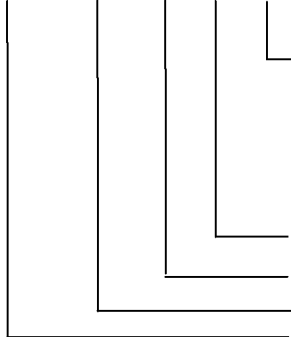
SPECIFICATIONS

SPEC. - 1878A

7/F

8. Ordering Information

LE 155 · K · M · ()



Lead wire length

None: 15.0mm min.

L : 30.0mm min.

C : 4.5 ± 0.5 mm

C3.5: 3.5 ± 0.5 mm

Tolerance of capacitance : $\pm 20\%$

Type designation of "K" for LE Series

Nominal Capacitance

Across-The-Line Capacitor, LE Series

9. Reference Standard

JIS C 5101-1 Fixed Capacitors For Electronic Equipment Vol. 1
 JIS C 5101-14 Fixed Capacitors For Electronic Equipment Vol. 14
 JIS C 60068-2-45 Environmental Testing Procedure.

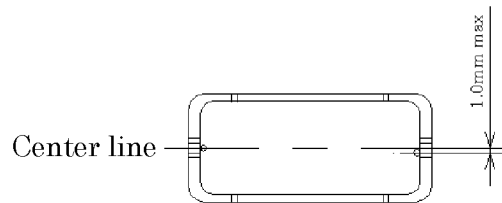
10. Terms of use

Please use this product with reference to the following contents in order to avoid from accident.

- 「EIAJ RCR-2350B Guideline of notabilia for fixed plastic film capacitors for use in electronic equipment」 published by Japan Electronic and Information Technology Industries Association.
- 「Attention on use of the noise suppression capacitor」 as per attached.

11. Others

- Bias of lead wires is the following.
- Manufacturer : China factory.
 Sri Lanka factory.



- This specification is applied from delivery start date of the change marking product.

OKAYA ELECTRIC
INDUSTRIES CO., LTD.

Attention on use of the noise suppression capacitor.

Apr. 6, 2010

Okaya Electric Ind. Co., Ltd.

Noise Technical Dep. Capacitor Technical Group

The noise suppression capacitor is using the metallized plastic film mainly for the dielectric. Therefore, the insulation, voltage-withstand, heat resistance, the frequency characteristic, etc. are excellent, and it also has high reliability and safety.

However, it sometimes results in a serious accident with not designing, after fully knowing the characteristics depending on a use. Since these data explain the attention on use on a design etc. concretely, it is surely individual before use. Please use correctly after often reading the technical data, delivery specifications and these data. Please save in the place seen always after reading.

1. Failure mode.

Generally, a metallized film capacitor is an action which carries out natural recovery of the insulated destructive part, when there is a self-recovery action, high surge voltage is added while in use and the dielectric causes insulated destruction partially. However, it is not in recovering by all cases. Especially, like the AC power supply, internal current may flow excessively at the time of self-recovery, the dielectric may be damaged, and insulation may not be recovered in a low impedance circuit.

2. Capacitor for AC power supplies.

The metallized plastic film capacitor has many strong points, and the use is also very wide in range. However, it can not be said that we may use it for all cases. In the case of a high frequency circuit etc., it appears as a result which is visible which generate heat immediately at the time of mistaking selection of a capacitor. However, the measure against surge voltage and the measure against corona are required for electromagnetic interference suppression of an AC power supply. It is also necessary to fully check reliability and safety to being exposed to the periods and these unfavorable conditions beyond the life of apparatus.

Moreover, a thunder stroke etc. is sometimes occurred. It is necessary to check such safety when receives these unusually. The recognition as "a special use" is required for the capacitor used for an AC power supply. A good idea for you is to use an overseas safety standard product as a standard of your selection.

3. Notes on use.

3.1 On circuitry.

- Please use it after checking use environment and fixing environment within the limits of the rated performance specified on the delivery specifications of the capacitor. (Please check especially the following clause)
- The temperature range to be used is in rating, including the condition for use and preservation. A capacitor carries out self-generation of heat when the power supply especially with high frequency. Moreover, when exothermic parts are in near, be careful also of overheating by radiant heat.

- Keep in mind that dielectric deteriorates by moisture absorption when more than 85%RH or the continuation use under high humidity, such as dews.
- The voltage of the circuit to be used, such as AC, DC and a high frequency etc. is in rating. Please check that there is no influence in unusual self-generation of heat (self-generation of heat changes due to the voltage waveform or circumference temperature, please follow below 5deg. as a guide)
- If poor contact and the case of being unstable are in connection of a power supply system, a high voltage by resonance of sparks electric discharge may occur, please check.
- To satisfy characteristics, some capacitor's series are impregnated with oil.
It may cause leakage oil from capacitor depending on usage environment.
Quality of the capacitor is not affected by the leakage oil. When there is connector and/or relay near the capacitor, leakage oil may cause bad connection.
- As for special environment, as follows, please contact.
 - a) The circuit where the huge surge voltage in repeating, rapid electric charge and discharge is repeated.
 - b) The use which requires vibration and a shock continuously.
 - c) Water, salt water, oil, etc. are in use.
 - d) The use in plastics, such as chlorine, ammonia, and hydrogen sulfide, and the gas environment where metal is invaded.
 - e) The use in the environment exposed to ozone, an ultraviolet ray, radiation, etc.

3.2 Attachment to apparatus.

- At the time of attachment, please do not make it damaged by the machine and the tool (solder is to be included), or do not add pressure from the exterior. (even when there are not degradation and change in appearance visually, inside may be damaged)
- When tensile strength and twist is added to the lead, please do not fix(with screw, soldering etc.).
A slack etc. may be happened in progress of time.
- Please do not apply the temperature more than regulation at the time of soldering. Heat degradation of the parts may be happened especially under the influence of pre-heating.
- When you apply solder to the land of a printed wiring board, please take sufficient solder portion. If inadequate, in a vibration in use and temperature change, a soldering part may deteriorate and it may become poor connection.
- Please do not carry out removing and re-using the product which already attached in the printed wiring board and was soldered to it at once. A slack in the lead wire under the influence of heat is dangerous when removing.
- When the capacitor is warmed, please do not apply external force.
- The washing process should carry out with the following cautions.
 - a. Although the material strong against comparatively various washing is used, it may soften or may expand in washing of 60 degrees C or above. Please perform the coating after your check.
 - b. There is also a possibility that a display will disappear, in ultrasonic washing or shower washing depending on conditions, please carry out after checking conditions.
 - c. When the display surface is rubbed or mechanical power is applied during washing, the display

may disappear, please terminate this action.

d. If the display surface is rubbed or mechanical power is applied immediately after washing and before detergent dries, the display may disappear, please terminate this action.

e. Please check before use an acetone, xylene, and a halogen system solvent.

- When you fix the parts with adhesives etc., please use it after confirm not giving distortion to the capacitor after the adhesives' hardening.
- When you use a solvent type with adhesives etc., please perform after your check there is no damage on the coating (dissolution, expand) by the solvent.
- Please do not impose power strong against the main part of the capacitor after fixing the capacitor to a printed wiring board or a terminal board. A slack may be happened in the lead wire due to this power, or the coating may be damaged.

3.3 Under use of apparatus and equipment

- If the terminal of a capacitor is touched, an electric shock will be happened during the flow of current. Moreover, if electricity is stored in the capacitor and even after turning off the switch of a power supply describes, an electric shock may be happened. Please touch after applying the resistance for electric discharge to the terminal of a capacitor and fully discharging, when touching the terminal of a capacitor.
- Please do not allow short-circuit between the terminals of a capacitor with an electric conduction object during the flow of current. A capacitor may deteriorate by rapid charge and discharge of electric.
- Please follow notes of clause 3.1 in this document.
- When receive a thunderstroke within a 500m radius of having used apparatus and equipment, please turn off the switch immediately and pull out the plug from the wall socket etc.

3.4 Scheduled Inspection

- Scheduled inspection should be performed after turn off the switch of apparatus and equipment, and after discharging completely of the capacitor. An electric shock may be happened if the electric charge still remains in the capacitor
- If damage or damage by flame, are seen in the coating side of a capacitor, please remove a capacitor and discuss with us.

3.5 In an emergency

- When emitting smoke, ignition, a nasty smell, unusual sound, etc. during use of apparatus and equipment, turn off the switch of apparatus and equipment immediately. Please pull out the plug from the wall socket etc.
- Place apparatus and equipment to the location with good ventilation, does not have combustibles, and please take the measure of required smoke eliminating and fire extinguishing.

3.6 Storage and conditions (before use)

- If it is kept in atmosphere with direct rays, dust, a rapid temperature change, and corrosive gas, and

places, with heat and high humidity, degradation of the characteristic may take place.

- Please use it after checking the characteristic and soldering nature of those left for more than one year.
- Please do not apply too much shock and external force to a capacitor. (even when there are not degradation and change in appearance visually, inside may be damaged)
- Be aware of clause 3.1. c, d, and e in this document.

3.7 Wastage.

- A capacitor is classified into industrial waste. Please discard by the disposal plant and processing contractor who received the approval specified by the government ordinance.
- Incineration of a capacitor may generate detrimental gas.
- If a capacitor is exposed outdoors to a rainstorm, underground, groundwater, and river contamination may be caused, please do not carry out.

3.8 The matter without publication is based on the "Guideline of notabilia for fixed plastic film capacitors for use in electronic equipment" (EIAJ RCR-2350B) published by Japan Electronics and Information Technology Industries Association.

※ Client consultation: Okaya Electric Ind. Co., Ltd.

Noise Technical Dep. Capacitor Technical Group

TEL : 0 2 6 6 - 2 2 - 3 6 1 1

FAX : 0 2 6 6 - 2 4 - 1 7 7 9