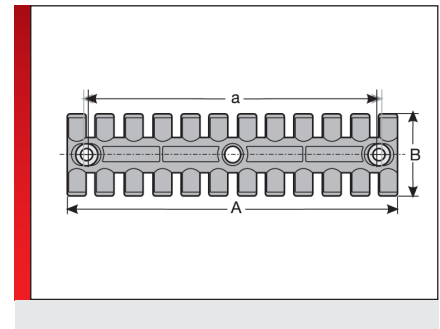
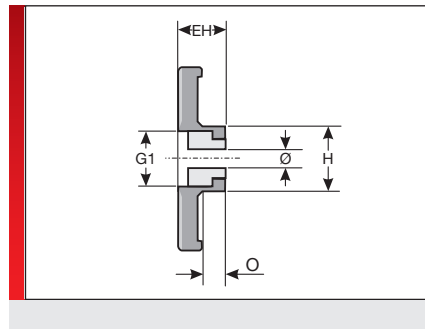
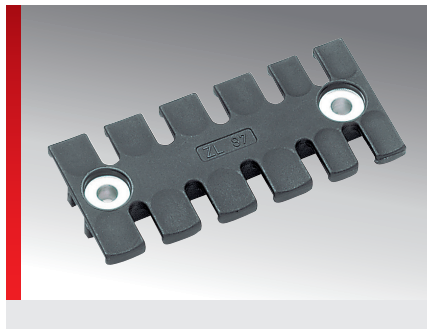


ZL-AH strain relief



Strain relief

PRODUCT INFORMATION

The ZL-AH strain relief plates are based on the ZL strain relief plate. By inserting the aluminium grommets, the ZL strain relief plate is free of fastening forces.

- Approved for railway technology (EN 45545-2:2013)

SPECIFICATIONS

- Plate: Polyamide 6.6
Insert bushing: Aluminium
- 40 – 125 °C
- V0

Type	Order No.	Colour	No. Cables	Pack qty.
With aluminium grommets, assembly with M5 screws				
ZL-AH 103	87701236	Black	7	1

DIMENSION TABLE

Type	Order No.	A mm	a mm	B mm	EH mm	G1 mm	H mm	O mm	Ø mm
With aluminium grommets, assembly with M5 screws									
ZL-AH 103	87701236	102.50	84.00	40.00	10.00	12.00	14.00	7.00	5.50

Suitable for

MATERIAL PROPERTIES

Plate: Polyamide 6.6
Insert bushing: Aluminium

Temperature / temperature range
-40 – 125 °C

FIRE BEHAVIOUR

Fire classification
V0

ZL-AH strain relief

APPROVALS AND OPERATING PERMITS



Railway EU approval



GL approval

TECHNICAL INFORMATION



LABS free



UV-resistant

CONFORMITY



RoHS (EC Directive 2002/95/EC)

GENERAL INFORMATION



Made in Germany

All details given in our sales material prospectuses and catalogues as well as the information available online are based on our current knowledge of the products described.

The electronic data and files made available by Murrplastik, particularly CAD files are based on our current knowledge of the product described.

A legally binding assurance of certain properties or the suitability for a certain purpose can not be determined from this information.

All information with respect to the chemical and physical properties of Murrplastik products as well as application advice given verbally, in writing or by tests, is given to the best of our knowledge.

This does not free the purchaser of carrying out their own inspections and tests in order to determine the suitability of a product for a specific purpose.

Murrplastik accepts no responsibility for the available information being up-to-date, correct or complete. Neither do we accept responsibility for the quality of this information.

Murrplastik accepts no liability for damage caused as a result of using our products.

Murrplastik reserves the right to make technical changes and improvements through constant further development of products and services.

Our General Terms and Conditions apply.

© Murrplastik Systemtechnik GmbH • prvlD_58139~20170508~890287~87701236