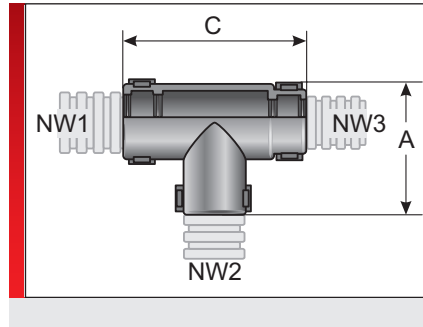
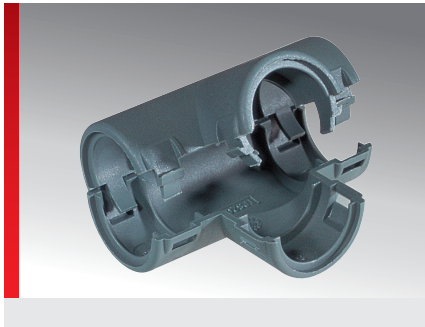


Type VT



Conduit distributor

PRODUCT INFORMATION

The VT conduit distributors are made of specially modified polyamide 6. They are used for coupling Murrplastik cable protection conduits of the same and different diameters.

The distributors feature the following advantages:

- Easy assembly by latching
- Split version makes routing of cables easy
- Distributor envelops the conduit, which means that the entire inside diameter of the conduit is available

SPECIFICATIONS

	Mod. polyamide PA 6
	IP 42
	-40 – 110 °C transient / short term 140 °C
	V0 self-extinguishing
	RoHS

Type	Order No.	Colour	for Murrflex with NW1 / NW2 / NW3	A mm	C mm	Pack qty.
Hose distributor suitable for Murrflex EW and EWX						
VT 201216	83702432	Black	16 / 09 / 11	41.00	56.50	10

Suitable for

MATERIAL PROPERTIES

Mod. polyamide PA 6

MECHANICAL PROPERTIES

Protection class
IP 42

THERMAL PROPERTIES

Temperature / temperature range
-40 – 110 °C transient / short term 140 °C

FIRE BEHAVIOUR

Fire classification
V0 self-extinguishing

TECHNICAL INFORMATION

Halogen-free

Type VT

CONFORMITY

RoHS

RoHS (EC Directive 2002/95/EC)

All details given in our sales material prospectuses and catalogues as well as the information available online are based on our current knowledge of the products described.

The electronic data and files made available by Murrplastik, particularly CAD files are based on our current knowledge of the product described.

A legally binding assurance of certain properties or the suitability for a certain purpose can not be determined from this information.

All information with respect to the chemical and physical properties of Murrplastik products as well as application advice given verbally, in writing or by tests, is given to the best of our knowledge.

This does not free the purchaser of carrying out their own inspections and tests in order to determine the suitability of a product for a specific purpose.

Murrplastik accepts no responsibility for the available information being up-to-date, correct or complete. Neither do we accept responsibility for the quality of this information.

Murrplastik accepts no liability for damage caused as a result of using our products.

Murrplastik reserves the right to make technical changes and improvements through constant further development of products and services.

Our General Terms and Conditions apply.