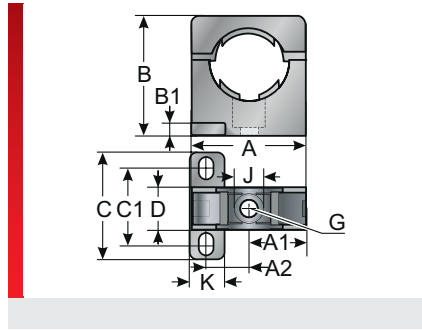
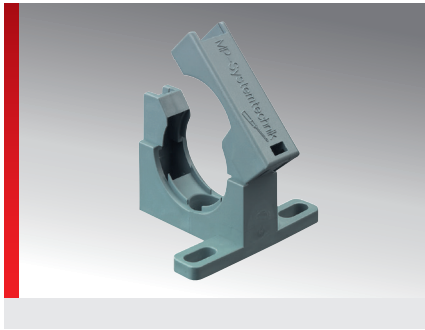


Typ UHF



Conduit holder

PRODUCT INFORMATION

The UHF holder is made of specially modified polyamide. The material is halogen, phosphor and cadmium-free. The holder is used as a quick and easy connection between control cabinet and door.

The UHF holder features the following advantages:

- Various fastening possibilities
- Protective conduits can still be rotated in the holder
- Pre-assembly of lower part possible

- High tensile strength thanks to double webs
- Bracket is included in delivery

Specification:

- EN 45545-2 3x HL3
- NFPA 130: ASTM E 162, ASTM E 662
-

SPECIFICATIONS

- UL listed material Mod. polyamide PA 6
- 40 – 110 °C transient / short term 140 °C
- acc. to UL94 V0 self-extinguishing
-

Type	Order No.	Colour	Suitable for Murrflex	A mm	B mm	C mm	D mm	G mm	J mm	K mm	B1 mm	A1 mm	A2 mm	C1 mm	Pack qty.
Suitable for Murrflex EW and EWX															
UHF 48	83621618	Grey	M50/P48(S)	74.00	68.00	60.00	19.00	6.50	11.50	13.00	8.00	37.00	30.00	47.50	50

MATERIAL PROPERTIES

UL listed material Mod. polyamide PA 6

THERMAL PROPERTIES

Temperature / temperature range
-40 – 110 °C transient / short term 140 °C

FIRE BEHAVIOUR

Fire classification
acc. to UL94 V0 self-extinguishing



Fire properties as per EN 45545-2
 C.I.T. R22 / R23 HL3 = 00:43
 LOI R22 / R23 HL3 = 33,8 %
 Ds (max.) R22 / R23 HL3 = 63
 ASTM D 635-HB 1

TECHNICAL INFORMATION

Halogen-free

Typ UHF

CONFORMITY

 **RoHS (EC Directive 2011/65/EU)**

APPROVALS AND OPERATING PERMITS

 **EU railway approval**
EN 45545-2 R22/R23 3x HL3

 **Made in Germany**

All details given in our sales brochures and catalogues, as well as the information available online, are based on our current knowledge of the products described.

The electronic data and files made available by Murrplastik, particularly CAD files are based on our current knowledge of the product described.

A legally binding assurance of certain properties or the suitability for a certain purpose can not be determined from this information.

All information with respect to the chemical and physical properties of Murrplastik products, as well as application advice given verbally, in writing or by tests, is given to the best of our knowledge.

This does not free the purchaser of carrying out their own inspections and tests in order to determine the suitability of a product for a specific purpose.

Murrplastik accepts no responsibility for the available information being up-to-date, correct or complete. Neither do we accept responsibility for the quality of this information.

Murrplastik accepts no liability for damage caused as a result of using our products.

Murrplastik reserves the right to make technical changes and improvements through constant further development of products and services.

Our General Terms and Conditions apply.