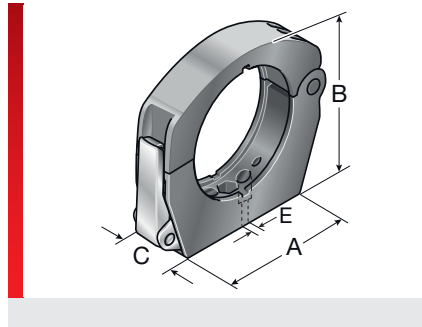


## SH system holder



### PRODUCT INFORMATION

The SH system holder is the optimally tuned main component which, especially in conjunction with Murr Flex cable protection conduits and the inlays, is able to promise excellent performance in terms of stability, operational flexibility and durability, even under high dynamic loads.

The SH 56/70 & SH 56/70-M system holder is made of a modified, impact resistant polyamide, whereas the SH 56/70-A is made of black anodised aluminium.

- Suitable for original equipment, subsequent installations or repairs
- Excellent system stability
- Easy installation of inlays and the cable protection conduit without tools
- Suitable for 4 different inserts/inlays
- Simple and easy configuration for dynamic or rigid applications
- Cost reduction – only one holder system for every application
- Versatile mounting options

### SPECIFICATIONS

	Type SH ... : Mod. polyamide
	Type SH ... -M: Mod. polyamide
	Type SH ... -A: Aluminium
	-40 – 110 °C transient / short term
	140 °C
	V0
	HF
	RoHS
	Made in Germany

Type	Order No.	Colour	A mm	B mm	C mm	E mm	Pack qty.
<b>System holder without continuous fin</b>							
SH-P / M25-M32	83691462	Black	73.00	62.00	26.00	8.60	1
SH-P / M40-M50	83691460	Black	104.50	90.00	33.00	8.80	1
SH 56/70	83691490	Black	135.00	120.00	33.00	8.80	1
<b>System holder with continuous fin</b>							
SH-F / M40-M50	83691450	Black	104.50	90.00	33.00	8.80	1
SH-PF / M40-M50 <sup>1)</sup>	83691470	Black	104.50	90.00	33.00	8.80	1
<b>System holder with metal closing</b>							
SH M40/M50-M system holder	83691501	Black	118.00	90.00	33.00	8.80	1
SH 56/70-M	83691502	Black	135.00	120.00	33.00	8.80	1
<b>System holder made of aluminium</b>							
SH M40/M50-A	83691503	Anodised black	104.50	90.00	30.00	8.80	1
SH 56/70-A	83691504	Anodised black	130.00	121.00	35.00	8.80	1
<b>Conduit holder inlay</b>							
ELR M40-M50	83691480	Red					1

<sup>1)</sup> Continuous fin type ELR, included loose

## SH system holder

### MATERIAL PROPERTIES



Type SH ... : Mod. polyamide  
Type SH ... -M: Mod. polyamide  
Type SH ... -A: Aluminium

### THERMAL PROPERTIES



**Temperature / temperature range**  
-40 – 110 °C transient / short term 140 °C

### FIRE BEHAVIOUR



**Fire classification**  
V0

### APPROVALS AND OPERATING PERMITS



**ROBI approval**

### TECHNICAL INFORMATION



**Halogen-free**

### CONFORMITY



**RoHS (EC Directive 202/95/EC)**

### GENERAL INFORMATION



**Made in Germany**

All details given in our sales material prospectuses and catalogues as well as the information available online are based on our current knowledge of the products described.

The electronic data and files made available by Murrplastik, particularly CAD files are based on our current knowledge of the product described.

A legally binding assurance of certain properties or the suitability for a certain purpose can not be determined from this information.

All information with respect to the chemical and physical properties of Murrplastik products as well as application advice given verbally, in writing or by tests, is given to the best of our knowledge.

This does not free the purchaser of carrying out their own inspections and tests in order to determine the suitability of a product for a specific purpose.

Murrplastik accepts no responsibility for the available information being up-to-date, correct or complete. Neither do we accept responsibility for the quality of this information.

Murrplastik accepts no liability for damage caused as a result of using our products.

Murrplastik reserves the right to make technical changes and improvements through constant further development of products and services.

Our General Terms and Conditions apply.

© Murrplastik Systemtechnik GmbH • proID\_96541~20170727~890283~aur\_shk