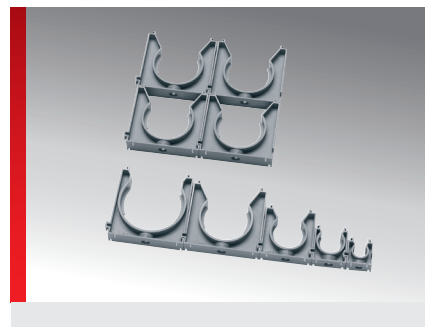
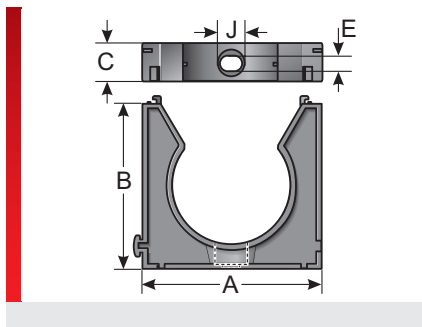
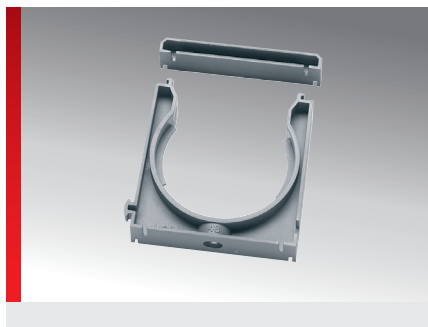


## Type HS (conduit holder)



Conduit holder

### PRODUCT INFORMATION

The HS conduit holder is made of specially modified polyamide. The material is halogen, phosphor and cadmium-free. The HS holders are used as a conduit holder system that can be arranged in rows and stacks and can be adapted to different installation situations with optional accessories.

- The holder features the following advantages:
- Flexible system
- Stackable
- Arrangeable in rows

### SPECIFICATIONS

	Mod. polyamide PA 6 UL listed material
	-40 – 110 °C transient / short term 140 °C
	V0 self-extinguishing
	RoHS
	Made in Germany

Type	Order No.	Colour	A mm	B mm	C mm	E mm	J mm	Pack qty.
<b>Conduit holder suitable for Murrflex EW and EWX</b>								
HS/U 11	83631056	Black	28.00	29.00	14.00	5.50	10.00	100

Suitable for

### MATERIAL PROPERTIES

	Mod. polyamide PA 6 UL listed material
--	---

### THERMAL PROPERTIES

	<b>Temperature / temperature range</b> -40 – 110 °C 140 °C
--	---

### FIRE BEHAVIOUR

	<b>Fire classification</b> V0 self-extinguishing
--	---

### TECHNICAL INFORMATION

	<b>Halogen-free</b>
--	---------------------

### CONFORMITY

	<b>RoHS (EC Directive 202/95/EC)</b>
--	--------------------------------------

## Type HS (conduit holder)

### GENERAL INFORMATION



Made in Germany

Conduit holder

All details given in our sales material prospectuses and catalogues as well as the information available online are based on our current knowledge of the products described.

The electronic data and files made available by Murrplastik, particularly CAD files are based on our current knowledge of the product described.

A legally binding assurance of certain properties or the suitability for a certain purpose can not be determined from this information.

All information with respect to the chemical and physical properties of Murrplastik products as well as application advice given verbally, in writing or by tests, is given to the best of our knowledge.

This does not free the purchaser of carrying out their own inspections and tests in order to determine the suitability of a product for a specific purpose.

Murrplastik accepts no responsibility for the available information being up-to-date, correct or complete. Neither do we accept responsibility for the quality of this information.

Murrplastik accepts no liability for damage caused as a result of using our products.

Murrplastik reserves the right to make technical changes and improvements through constant further development of products and services.

Our General Terms and Conditions apply.

© Murrplastik Systemtechnik GmbH • prvlD\_65734~20170829~890283~83631056