

MJ1410

8 BIT FORMAT CONVERTER

The MJ1410 is realised in N-channel MOS technology and operates from a single 5V supply. The circuit can be clocked from d.c. up to 2.5MHz and has 3-state output buffers capable of driving two LSTTL loads. All inputs are TTL compatible.

The MJ1410 performs the complementary functions of serial-to-parallel and parallel-to-serial data conversion on 8 bits of data. Both these conversions are achieved using the same time-position matrix, which has eight inputs and eight outputs.

An 8-bit parallel word clocked into the eight inputs appears as a serial 8-bit data stream on one of the eight outputs. Successive parallel words at the inputs appear as serial data streams on each of the eight outputs in turn.

Conversely, a serial 8-bit data stream on one of the eight inputs appears as an 8-bit parallel word on the eight outputs. Successive parallel words appearing at the eight outputs correspond to the serial data on each of the eight inputs in rotation.

The conversion can be 'programmed' to start in any register by setting the appropriate binary value on the counter pre-load inputs and applying a pulse to the Sync input. If the loading sequence produced by the counter is not required it can be disabled by connecting 'clock' to 'sync'. At each positive clock edge the register loaded will depend on the data on the counter inputs on the previous positive clock edge.

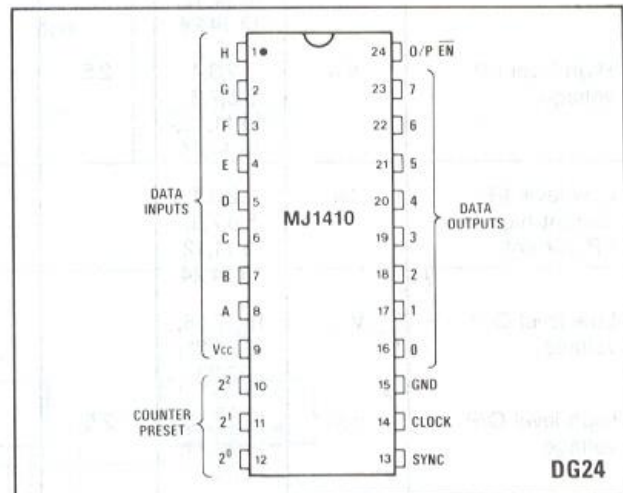


Fig.1 Pin connections

FEATURES

- Single 5V supply.
- Three-state outputs.
- All inputs TTL compatible.

FUNCTIONAL DESCRIPTION

Pin No.	Title	Function
1	H	Data i/p H } Data i/p G } Data i/p F } Data i/p E } Data i/p D } Data i/p C } Data i/p B } Data i/p A }
2	G	
3	F	
4	E	
5	D	
6	C	
7	B	
8	A	
9	Vcc	Positive supply, 5V ± 5%
10	2 ²	Counter preset i/p bit 2 } Counter preset i/p bit 1 } Counter preset i/p bit 0 }
11	2 ¹	
12	2 ⁰	
13	SYNC	A negative edge on this i/p initiates the counter preset sequence which causes the conversion cycle to start in the register which corresponds to the binary value of the counter preset i/ps.
14	CLOCK	System clock
15	GND	Zero volts
16	0	Three state data o/p '0' } Three state data o/p '1' } Three state data o/p '2' } Three state data o/p '3' } Three state data o/p '4' } Three state data o/p '5' } Three state data o/p '6' } Three state data o/p '7' }
17	1	
18	2	
19	3	
20	4	
21	5	
22	6	
23	7	
24	O/P EN	A logic '1' on this i/p forces all the data outputs to a high impedance state.

ELECTRICAL CHARACTERISTICS

Test conditions (unless otherwise stated): $V_{CC} = 5V$, $T_{amb} = 22^{\circ}C \pm 2^{\circ}C$, Test circuit: Fig.6.

Supply voltage $V_{CC} = 5V \pm 10\%$, Ambient operating temperature $T_{amb} = 10^{\circ}C$ to $+70^{\circ}C$

STATIC CHARACTERISTICS

Characteristic	Symbol	Pins	Value			Units	Conditions
			Min.	Typ.	Max.		
Low level I/P voltage	V_{IL}	1,2,3,4, 5,6,7,8, 10,11,12, 13,14,24	-0.3		0.8	Volts	
High level I/P voltage	V_{IH}	1,2,3,4, 5,6,7,8, 10,11,12, 13,14,24	2.5		V_{CC}	Volts	
Low level I/P current/high level I/P current	I_{IN}	1,2,3,4, 5,6,7,8, 10,11,12, 13,14,24		1	50	μA	
Low level O/P voltage	V_{OL}	16,17,18, 19,20,21, 22,23			0.5	Volts	$I_{SYNC} = 1.6mA$
High level O/P voltage	V_{OH}	16,17,18, 19,20,21, 22,23	2.5			Volts	$I_{SOURCE} = 100\mu A$
Low level O/P current sink capability	I_{OL}	16,17,18, 19,20,21, 22,23	-1.6			mA	
High level O/P current source capability	I_{OH}	16,17,18, 19,20,21, 22,23	100			μA	
OFF state O/P current	$I_{OFF L}$	16,17,18, 19,20,21, 22,23			40	μA	$V_{OUT} = GND$
	$I_{OFF H}$	16,17,18, 19,20,21, 22,23			-40	μA	$V_{OUT} = V_{CC}$
Power dissipation	P_{DISS}		90		500	mW	$V_{CC} = 5.5V$

DYNAMIC CHARACTERISTICS

Characteristic	Symbol	Value			Units	Conditions
		Min.	Typ.	Max.		
Max. clock frequency	F_{max}	2.4		10	MHz	
Min. clock frequency	F_{min}	0			MHz	
Sync. pulse width (positive)	t_{SPP}	60			ns	Fig. 6
Sync. pulse width (negative)	t_{SPN}	100			ns	Fig. 6
Lead of sync. clocking edge on positive clock edge	t_{SL}	130			ns	Fig. 6
Set up time of counter inputs ($2^0, 2^1, 2^2$)	t_{SC}	70			ns	Fig. 6
Hold time of counter inputs	t_{HC}	60			ns	Fig. 6
Set up time of data inputs (A-H)	t_{SD}	80			ns	Fig. 6

DYNAMIC CHARACTERISTICS

Characteristic	Symbol	Value			Units	Conditions
		Min.	Typ.	Max.		
Hold time of data inputs	t _{HD}	85			ns	Fig. 6
Propagation delay, data out valid from output <u>ENABLE</u> low	t _{pDE}			100	ns	Fig. 6
Propagation delay, data out disabled from output <u>ENABLE</u> high	t _{pDD}			100	ns	Fig. 6
Propagation delay, clock to data out valid	t _{pCD}			200	ns	Fig. 6

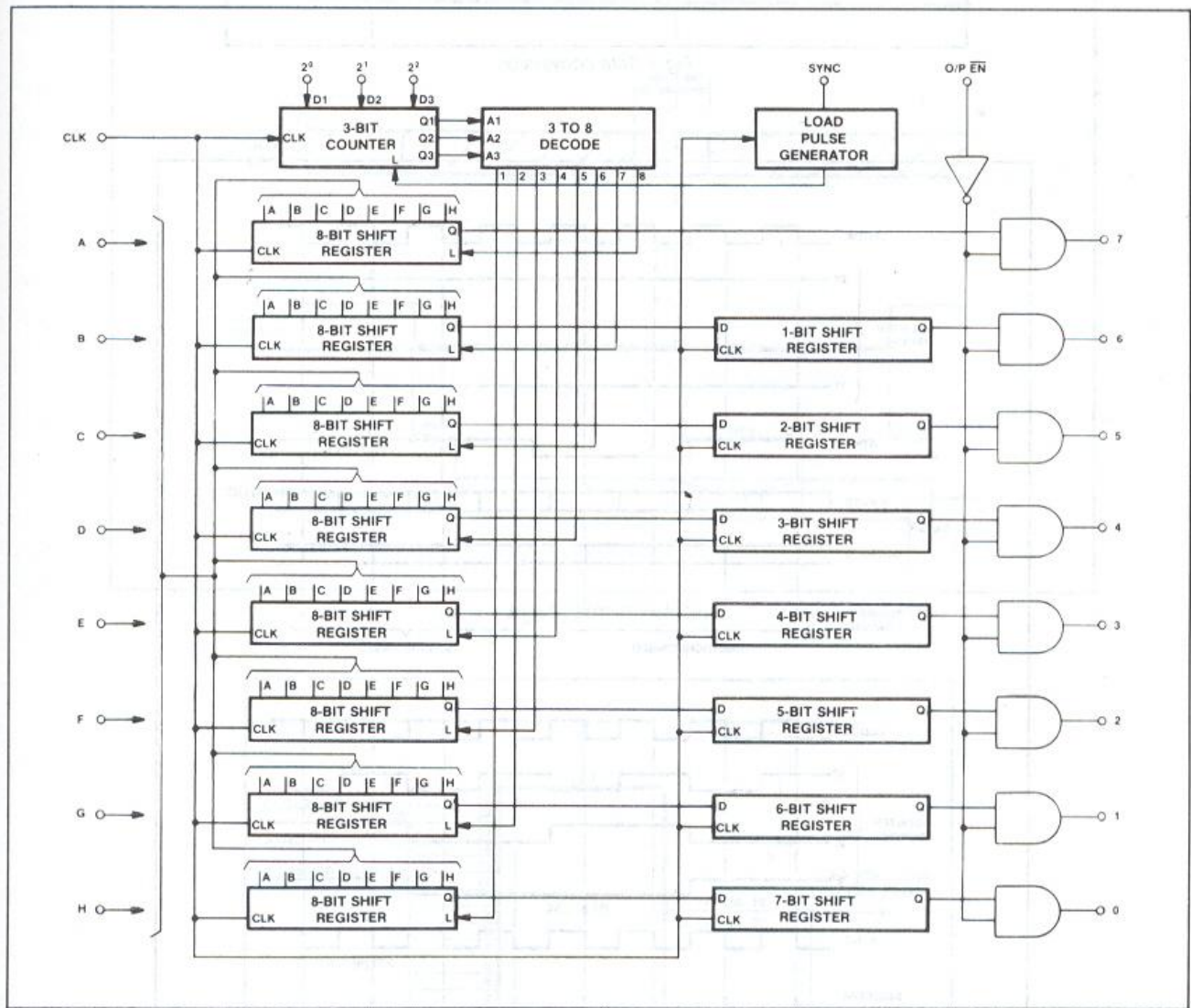


Fig.2 Block diagram

ABSOLUTE MAXIMUM RATINGS

Voltage on any pin w.r.t. ground = 7V max.
 Storage temperature = -55°C to +125°C

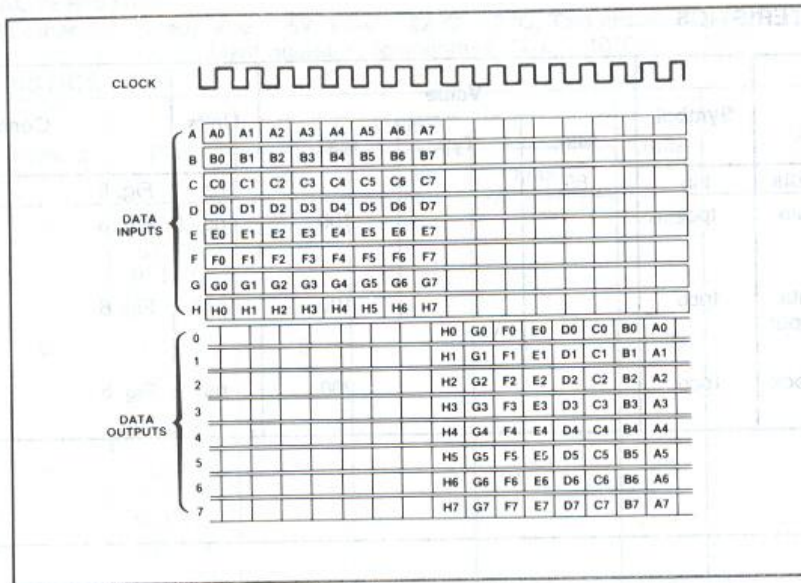


Fig.3 Data conversion

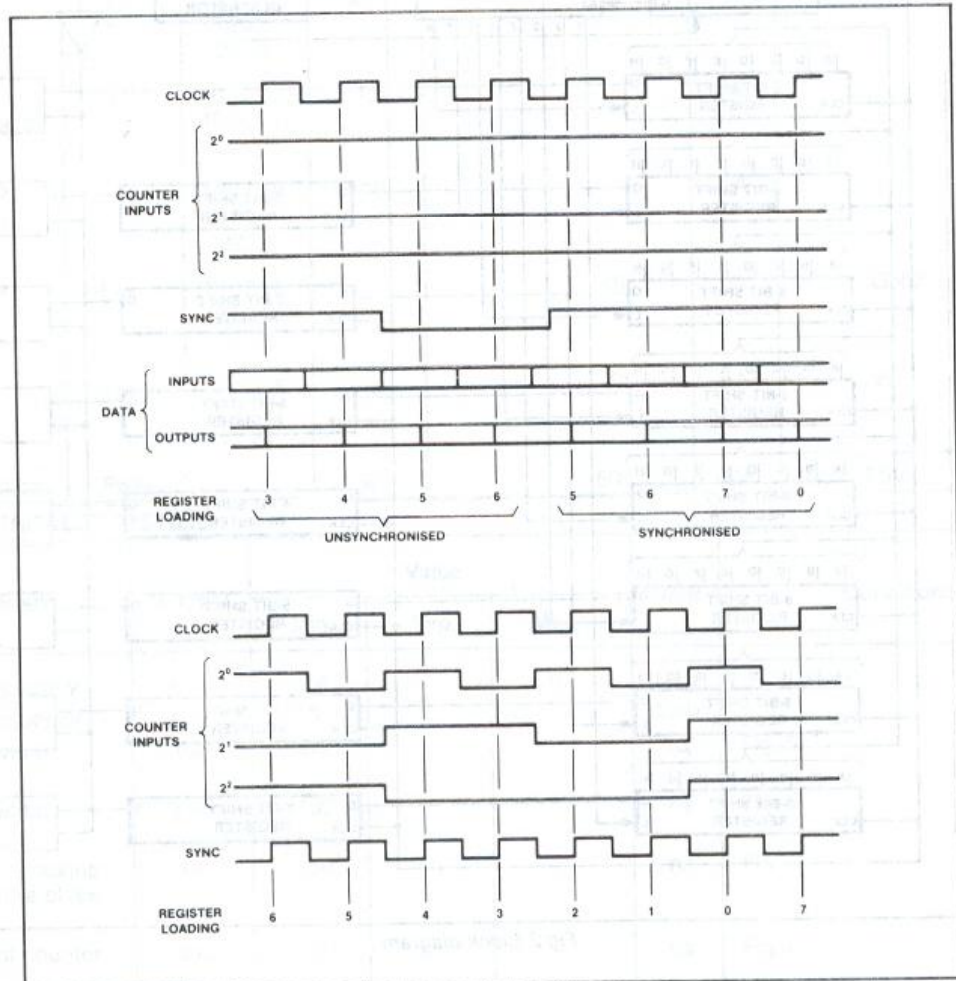


Fig.4 Input and output waveforms

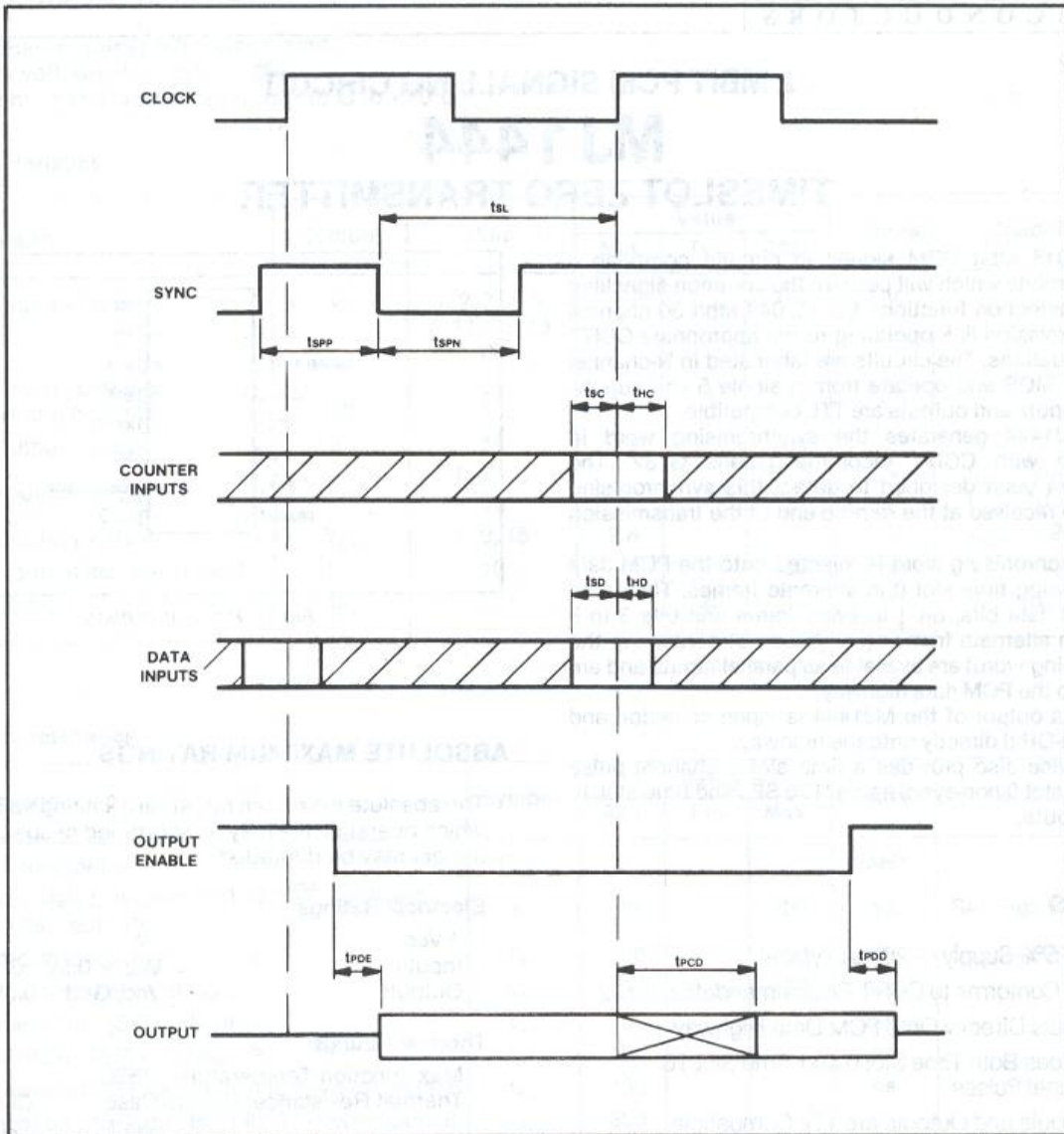


Fig.5 Timing details

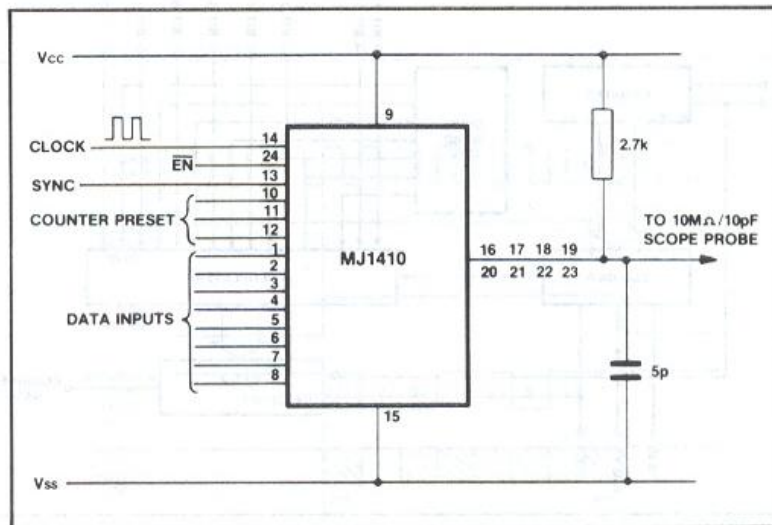


Fig.6 Test conditions