

## Lithium Button Cell Li-MnO<sub>2</sub>

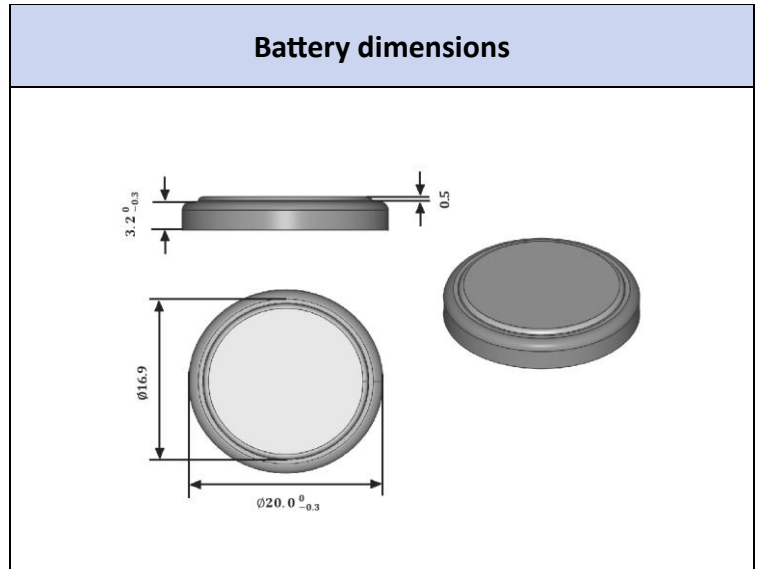
Primary characteristics		
Parameter	Value	Unit
Nominal voltage	3.0	V
Rated capacity	210	mAh

### Scope

The purpose of this product specification is to provide technical information for the Lithium-Manganese Dioxide cell CR2032.

The test shall be conducted in strict accordance with the method specified in this specification.

If you have any objection to the test items or test methods, please contact Akyga Battery.



### Specification table

Parameter	Value	Unit
Battery model	CR2032	
Nominal voltage	3.0	V
Nominal capacity*	210	mAh
Operating temperature	-20/+60	°C
Storage temperature	0/+35	°C
Average weight**	3	g

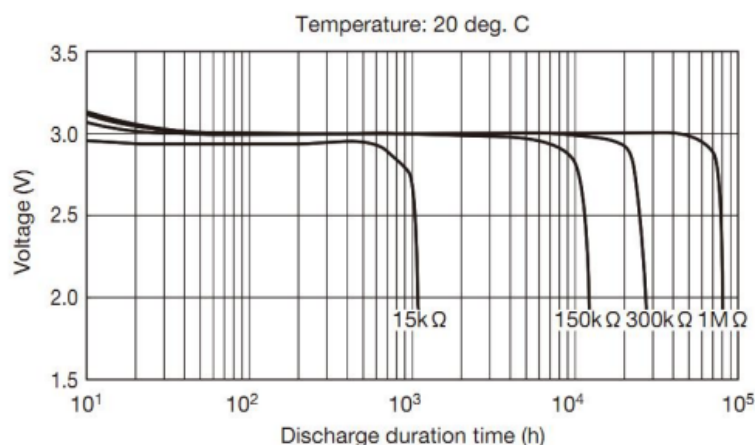
#### Notes:

Nominal capacity test conditions: 15kR resistive load, end voltage: 2.0V, operating temperature 25°C±1°C, humidity 65±20%

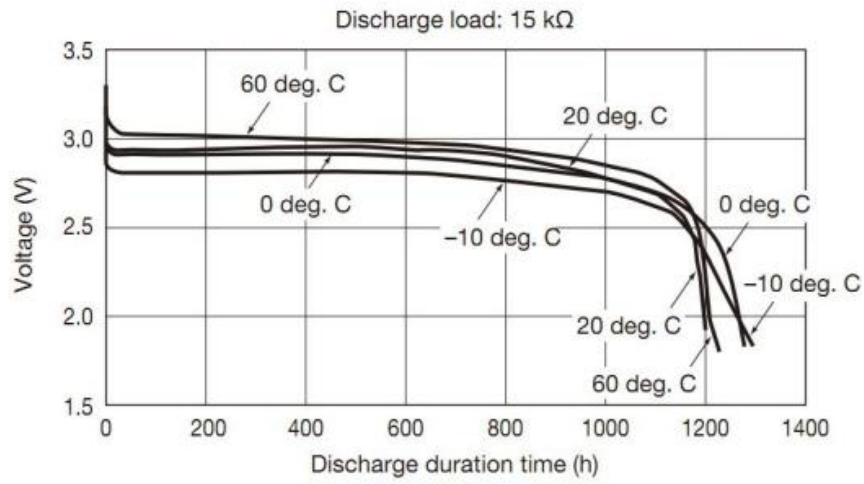
\*For other capacity or working currents please contact Akyga Battery: sales@akygabattery.com

\*\*Without tags

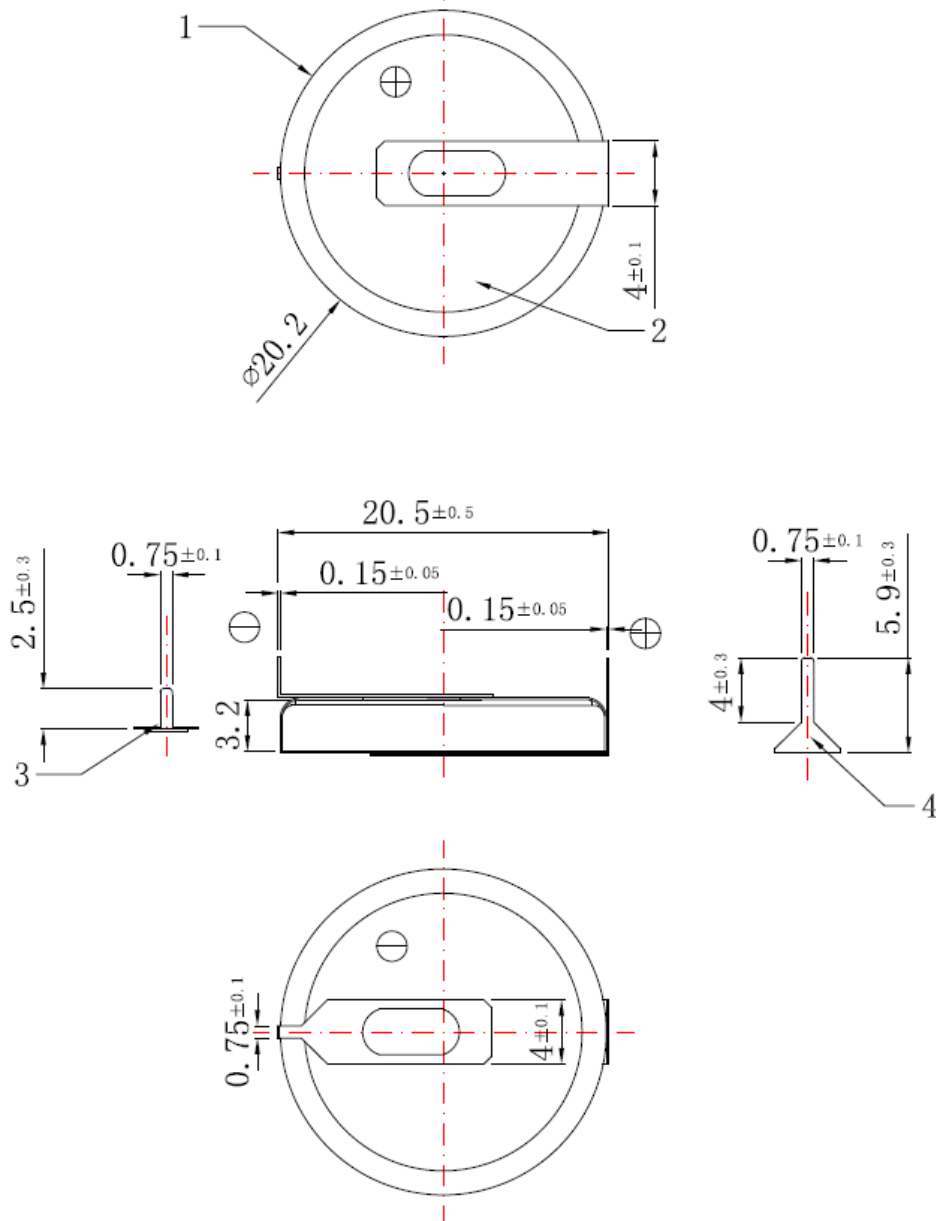
### Discharge characteristic

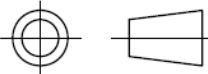


**Temperature characteristic**



Battery drawing



Projection method  unit: mm	1		Shrinkable tube	1	PET	31.6*5*0.07	Blue
	2	CR2032	Button cell	1		$\varnothing 20 \times 3.2$	
	3		Negative welding plate	1	SUS304 nickel plating	15.5*4*2.5*0.15	
	4		Positive welding plate	1	SUS304 nickel plating	20*4*5.9*0.15	
	No.	Model	Name	Qty	Material	Spec	Remark

## Warning

- Do not place the battery in a heater, washer or high-pressure container.
- Do not use the battery together with a different kind of battery.
- Stop using the battery when it emits heat, light or shows other abnormalities during usage or storing.
- Keep away from the battery if it leaks or emits abnormal smell
- In the event of electrolyte contact with the skin, remove clothes and wash yourself immediately
- In the event of electrolyte contact with eyes, wash eyes and seek medical attention immediately
- If two or more batteries are to be connected in a series and/or placed in a parallel, protective circuit must be connected with the batteries, to avoid force-discharging or recharging.

## Storage

- The batteries have a shelf life of 10 years if stored correctly.
- The batteries should be stored at 0°C to 35°C, 45% to 65% RH.
- The batteries should not be stored next to heat sources or in direct sunlight. The storage area should be clean, cool, dry, ventilated and weatherproof.
- The height to which batteries may be stacked is clearly dependent on the strength of the packing. As a general rule, this height should not exceed 1.5m for cardboard packages nor 3m for wooden cases.
- Store and display batteries in their original packaging. The batteries may sustain damage or short-circuit if packed and stacked carelessly.

## Declaration

Akyga Battery reserves the right to make changes without notice to any product specification herein, to make corrections, modifications, enhancements or other changes. Akyga Battery or anyone on its behalf assumes no responsibility or liability for any errors or inaccuracies. Data sheet specifications and its information contained are intended to provide a product description only. "Typical" parameters which may be included on Akyga Battery data sheets and/ or specifications can and do vary in different applications and actual performance may vary over time. Akyga Battery does not assume any liability arising out of the application or use of any product or circuit. Akyga Battery products are not designed, intended or authorized for use in medical, life-saving implant or other applications intended for life-sustaining or other related applications where a failure or malfunction of component or circuitry may directly or indirectly cause injury or threaten a life without expressed written approval of Akyga Battery. Customers using or selling Akyga Battery components for use in such applications do so at their own risk and shall agree to fully indemnify Akyga Battery and its subsidiaries harmless against all claims, damages and expenditures.