

# Specification

**Lithium Polymer Battery Pack (L392255) 450mAh 3.7V with Protection Circuit Module (PCM)**

This data sheet describes the requirements and properties of lithium polymer rechargeable battery pack manufactured by AKYGA

### Mechanical Characteristics

Type number: L392255  
 Designation IEC system: Lithium polymer battery pack  
 Length: 55 ± 0.5mm  
 Width: 22 ± 0.5mm  
 Thickness: 3.9 ± 0.2mm  
 Cable: 100 ± 3.0mm (28AWG UL1571)  
 Connector: Molex 51021-0200  
 Weight: appr. 9.0g

### Electrical Specification

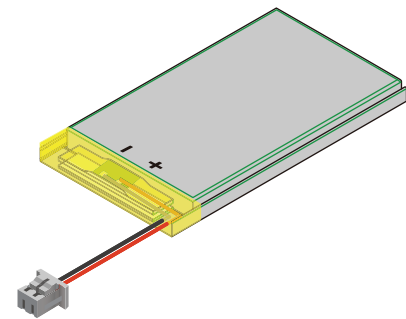
Rated capacity: 450mAh min, 460mAh typ.  
 Nominal voltage: 3.7V  
 Max. operating voltage range: 3.0V to 4.2V  
 Charge voltage: 4.2 ± 50mV  
 Initial charge current: Standard charge: 90mA  
 Rapid charge: 225mA  
 Charging cut-off (A or B)  
 A) By time: Standard charge: 5 hours  
 Rapid charge: 2 hours  
 B) By min. current: 9mA  
 Max continuous discharge current: 450mA  
 Internal impedance (1kHz): approx 93mOhm  
 Exp. cycle life: >500 cycles >80% of initial cap. (0.5C/0.5C)  
 Cell protection  
 Overcharge detection: 4.325 ± 25mV  
 (0.5 to 2.0 sec. delay, resume 4.075 ± 50mV)  
 Overdischarge detection: 3.00V ± 25mV  
 (6.25 to 250msec. delay, resume 2.9V ± 100mV)

### Ambient conditions

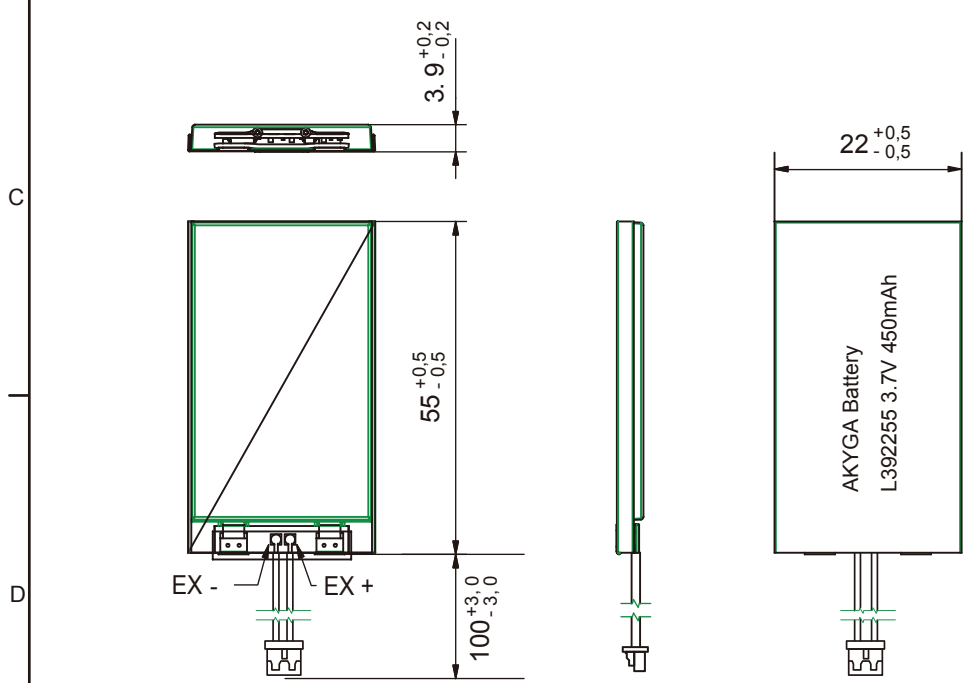
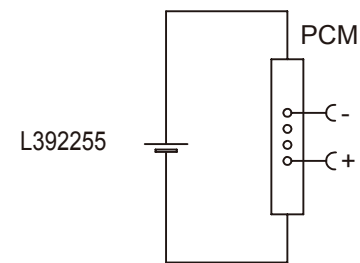
Temperature range  
 Charge: 0 to +45°C  
 Discharge: -20 to +60°C  
 Charge retention/Storage: 1 year at -20 to 20°C >70%  
 3 month at -20 to 45°C >70%  
 1 month at -20 to 60°C >70%

### Safety

Please follow handing and Safety Precautions Poliflex.



### Circuit diagram



Index		Alteration		Date	Name
Projection:		Diese Mae werden besonders geprüft This dimensions are considered inspectable		Material: 66451753 9993	
Mae in mm	Freimatoleranzen	Date	Name		
All dimensions in mm	Generaltoleranzen	Erst./Orig. 05.11.2015	Xie Qingfang		
Als Betriebsgeheimnis anvertraut, alle Rechte vorbehalten.	up to 6 : 0,1 over 6 up to 30 : 0,2	Bearb./Desig Gepr./Check 05.11.2015	Guo Daxia		
Proprietary data, company confidential, all rights reserved.	over 30 up to 100 : 0,3 over 100 : 0,5	Benennung/ Designation: <b>L392255.1</b>		Zchng. / Dwg. Nr. 3	FD_5192_69
		Origin:		Index	