

Specification

Lithium Polymer Battery Pack (LP852845) 1100mAh 3.7V with Protection Circuit Module (PCM)

This data sheet describes the requirements and properties of lithium polymer rechargeable battery pack manufactured by AKYGA

Mechanical Characteristics

Type number: LP852845
 Designation IEC system: Lithium polymer battery pack
 Length: $45 \pm 0.5\text{mm}$
 Width: $28 \pm 0.5\text{mm}$
 Thickness: $8.5 \pm 0.4\text{mm}$
 Cable: $150 \pm 3.0\text{mm}$ (26AWG UL1571)
 Connector: JST XH-2
 Weight: appr. 23.0g

Electrical Specification

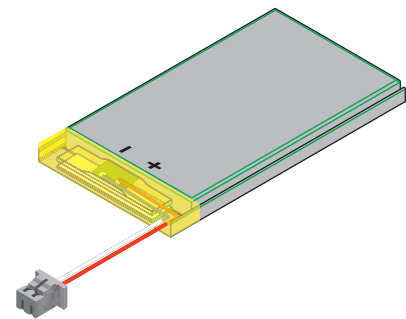
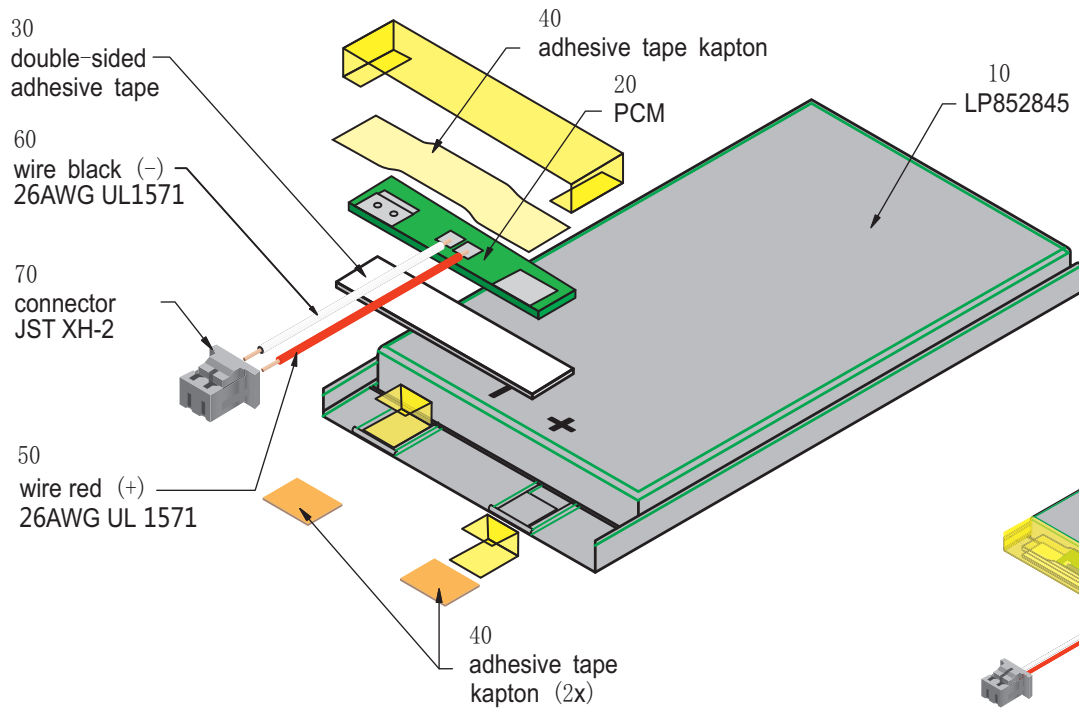
Rated capacity: 1100mAh min, 1120mAh typ.
 Nominal voltage: 3.7V
 Max. operating voltage range: 3.0V to 4.2V
 Charge voltage: $4.2 \pm 50\text{mV}$
 Initial charge current: Standard charge: 220mA
 Rapid charge: 550mA
 Charging cut-off (A or B)
 A) By time: Standard charge: 5 hours
 Rapid charge: 2 hours
 B) By min. current: 22mA
 Max continuous discharge current: 1100mA
 Internal impedance (1kHz): approx 45mOhm
 Exp. cycle life: >500 cycles >80% of initial cap. (0.5C/0.5C)
 Cell protection
 Overcharge detection: $4.325 \pm 25\text{mV}$
 (0.5 to 2.0 sec. delay, resume $4.075 \pm 50\text{mV}$)
 Overdischarge detection: $3.00V \pm 25\text{mV}$
 (6.25 to 250msec. delay, resume $2.9V \pm 100\text{mV}$)

Ambient conditions

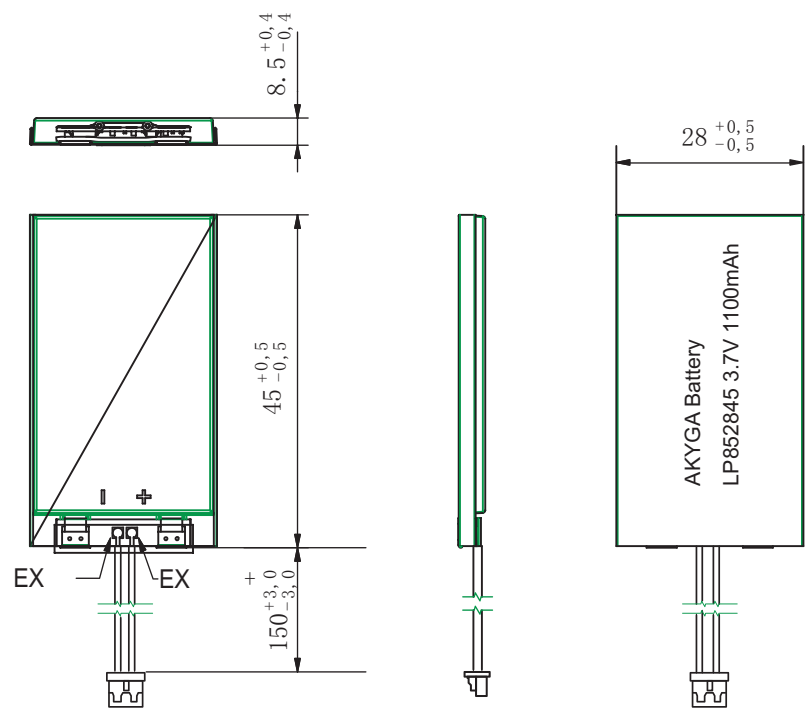
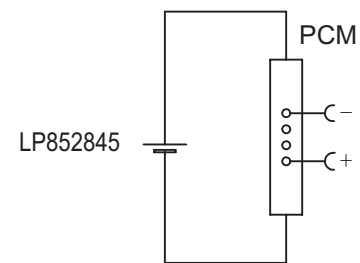
Temperature range
 Charge: 0 to $+45^\circ\text{C}$
 Discharge: -20 to $+60^\circ\text{C}$
 Charge retention/Storage: 1 year at -20 to 20°C >70%
 3 month at -20 to 45°C > 70%
 1 month at -20 to 60°C > 70%

Safety

Please follow handling and Safety Precautions Poliflex.
 * The batteries are compliant with RoHS and CE standard



Circuit diagram



Index		Alteration		Date	Name	
Projection:		<input type="checkbox"/> Diese Mae werden besonders geprüf <input type="checkbox"/> This dimensions are considered inspectable		Material: 66451753 5134		
Mae in mm	Freimatoleranzen	Date	Name			
All dimensions in mm	Generaltoleranzen	Erst./Orig.	23.04.2014			Xie Qingfang
Als Betriebsgeheimnis anvertraut, alle Rechte vorbehalten.	up to 6: 0,1 over 6 up to 30: 0,2	Bearb./Desig.				
Proprietary data, company confidential, all rights reserved.	over 30 up to 100: 0,3 over 100: 0,5	Gepr./Check.	23.04.2014	Guo Daxia		
		Benennung/ Designation		Zchng. / Dwg.Nr.		
		LP852845		3 FD_2339_12		
		Origin:		Index		