

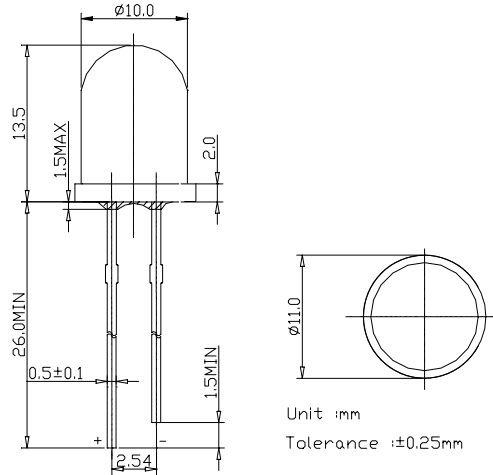
■Features

- High Power LEDs
- 10° Standard Directivity
- Superior Weather-resistance
- UV Resistant Epoxy
- Water Clear Type

■Applications

- General Purpose Indicators
- Small Area Illuminations
- Back Lighting

■Outline Dimension

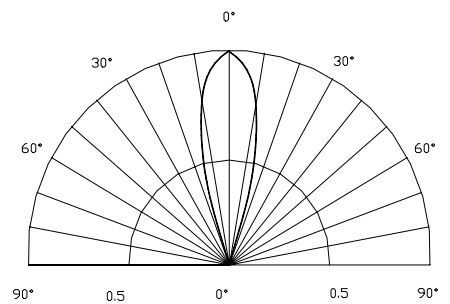


■Absolute Maximum Rating (Ta=25 °C)

Item	Symbol	Value	Unit
DC Forward Current	I_F	30	mA
Pulse Forward Current*	I_{FP}	100	mA
Reverse Voltage	V_R	5	V
Power Dissipation	P_D	120	mW
Operating Temperature	T_{opr}	-30~ +80	
Storage Temperature	T_{stg}	-30 ~+100	
Lead Soldering Temperature	T_{sol}	260 /3sec	-

*Pulse width Max.10ms Duty ratio max 1/10

■Directivity



■Electrical -Optical Characteristics (Ta=25 °C)

Item	Symbol	Condition	Min.	Typ.	Max.	Unit
DC Forward Voltage	V_F	$I_F=20$ mA	2.8	3.4	4.0	V
DC Reverse Current	I_R	$V_R=5$ V		-	10	μ A
Luminous Intensity	I_v	$I_F=20$ mA	5800	7000	10000	mcd
Chromaticity Coordinate*	x	$I_F=20$ mA	0.27	0.31	0.34	
	y	$I_F=20$ mA	0.28	0.30	0.33	
50% Power Angle	$2\theta_{1/2}$	$I_F=20$ mA	-	30	-	deg

*Please refer to CIE 1931 chromaticity diagram.